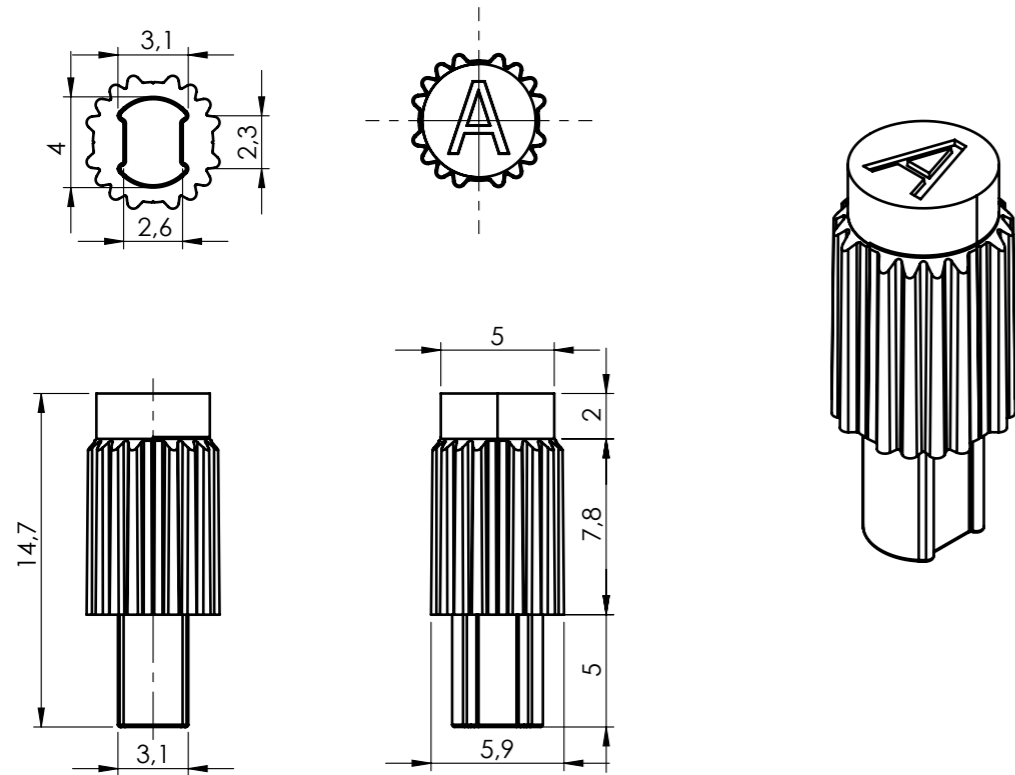
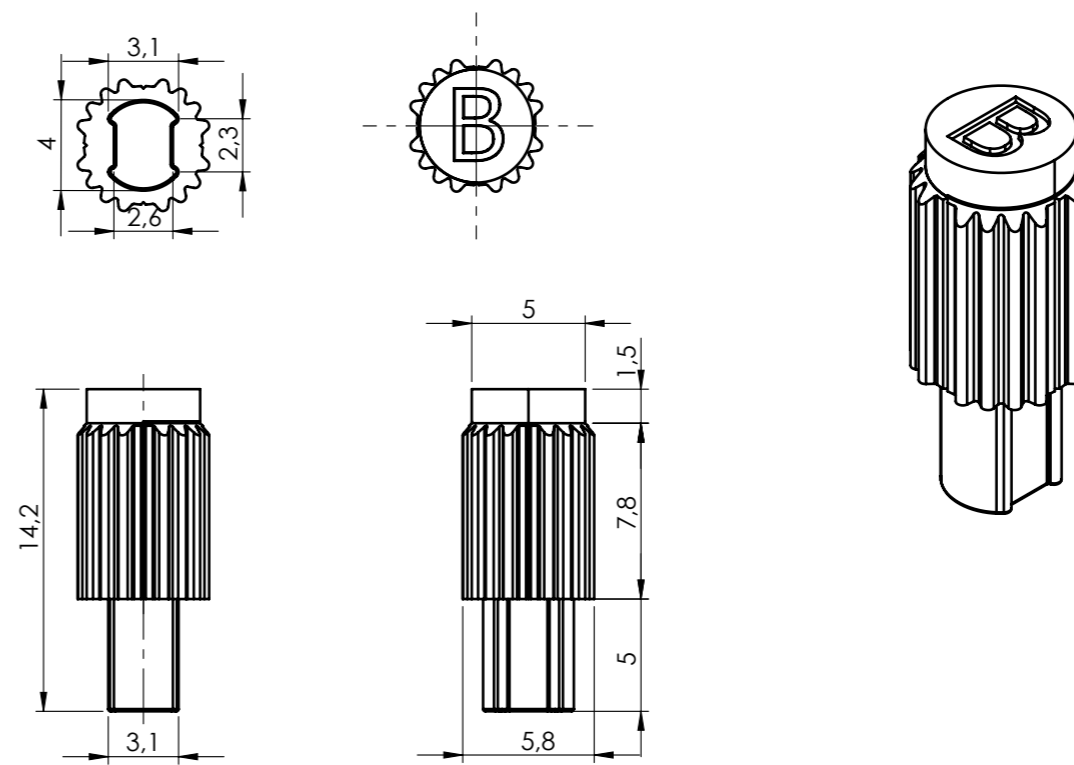


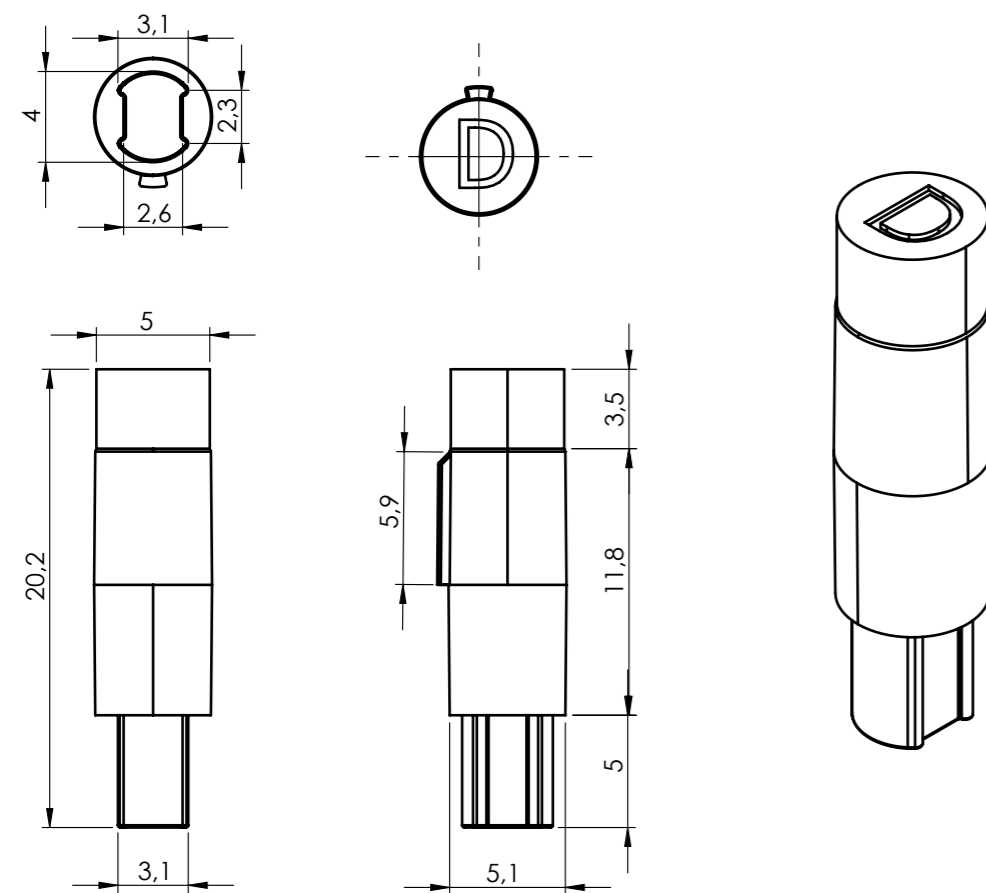
ITOUCH PIN FOR PIHER GRIPS 7 MM TYPE A



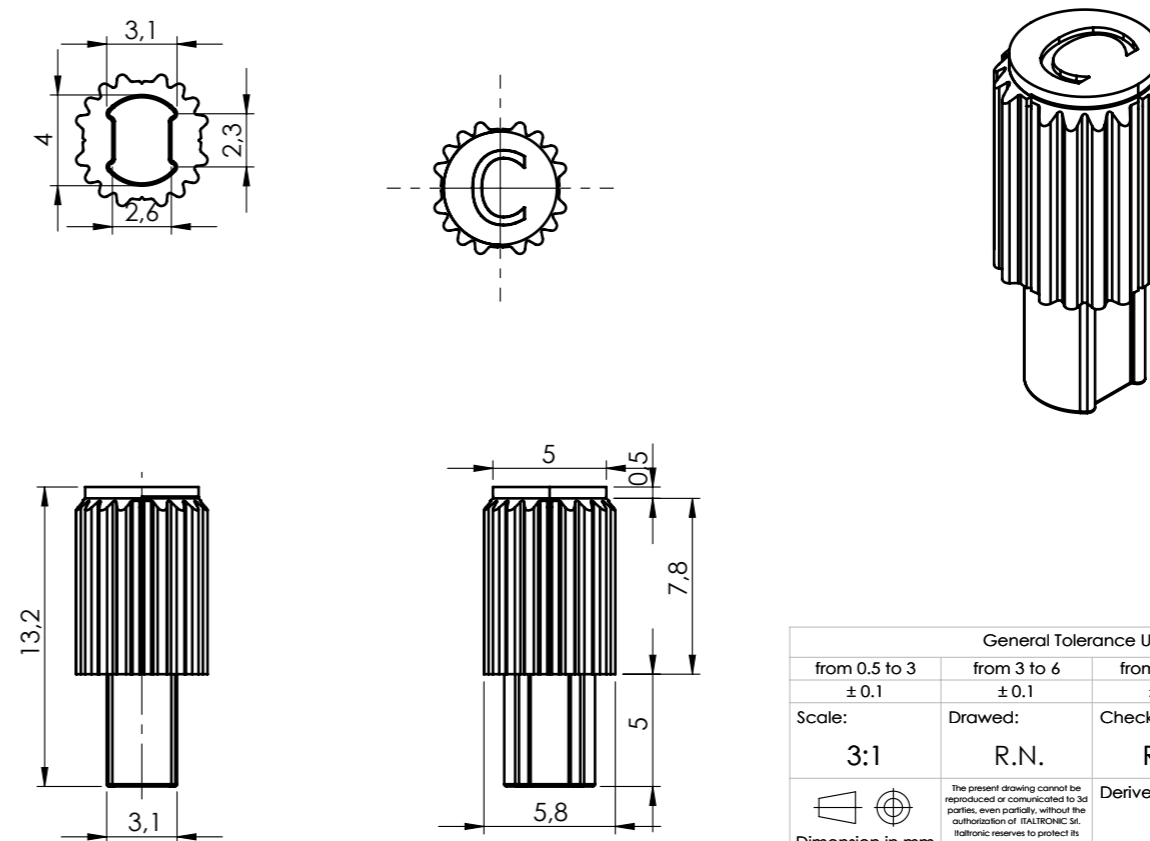
ITOUCH PIN FOR PIHER GRIPS 7.5 MM TYPE B

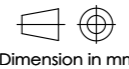


ITOUCH PIN FOR D TYPE GRIPS



ITOUCH PIN FOR PIHER GRIPS 8.5 MM TYPE C



General Tolerance UNI EN 22768/1 Media (m)					Sheet:
from 0.5 to 3 ± 0.1	from 3 to 6 ± 0.1	from 6 to 30 ± 0.2	from 30 to 120 ± 0.3	from 120 to 400 ± 0.5	1
Scale: 3:1	Drawn: R.N.	Checked: R.N.	Date: 04/04/23	Material:	Process:
 Dimension in mm	The present drawing cannot be reproduced or communicated to 3rd parties, even partially, without the authorization of ITALTRONIC S.p.A. Italtronic reserves to protect its own rights according to the law.			Weight:	Cod. Mold:
	Description: KIT PERNI PER MANOPOLE PIHER ITOUCH PIN KIT FOR PIHER ITOUCH GRIPS				
Drawing nr.: 3_010_00030				Rev.:	A3