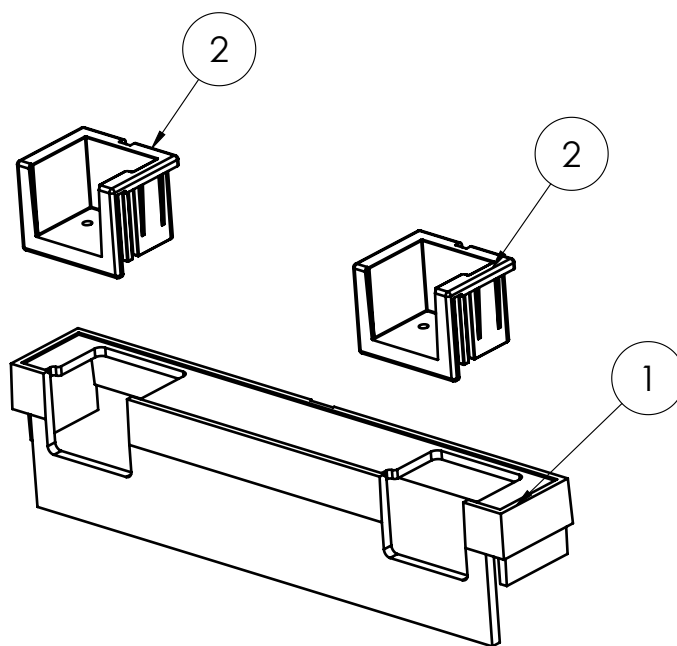
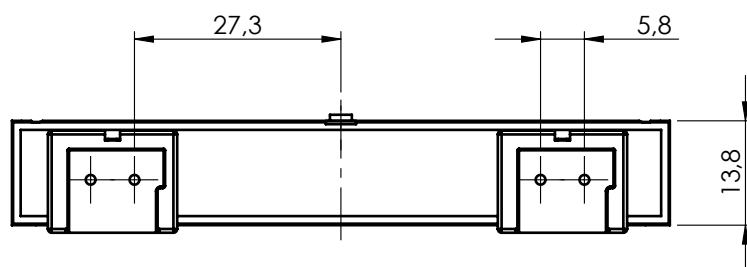


SECTION A-A



RIF.	Q.TY	DRAWING	DESCRIPTION		
1	1	2_250_03803	KIT TERMINAL COVER 5M-EIB X 2 EIBBUS CONNECTORS		
2	2	2_250_03622	EIB UNIVERSAL ACCESSORY		
General Tolerance UNI EN 22768/1 Media (m)					Sheet:
from 0.5 to 3 ± 0.1	from 3 to 6 ± 0.1	from 6 to 30 ± 0.2	from 30 to 120 ± 0.3	from 120 to 400 ± 0.5	1
Scale: 1:1	Drawed:	Checked: R.N.	Date: 30/06/2023	Material:	Process:
 Dimension in mm	The present drawing cannot be reproduced or communicated to 3rd parties, even partially, without the authorization of ITALTRONIC Srl. Italtronic reserves to protect its own rights according to the law.		Derived from:	Weight: gr	Cod. Mold: --
 <b>italtronic</b> enclosures for electronics italtronic.com		Description: KIT COPRIMORSETTO 5M - EIB X2 CONNETTORE BUS KIT TERMINAL COVER 5M-EIB X 2 EIBBUS CONNECTORS			Rev.:
		Drawing nr.:		A4	
		<b>3_250_00129</b>		-	