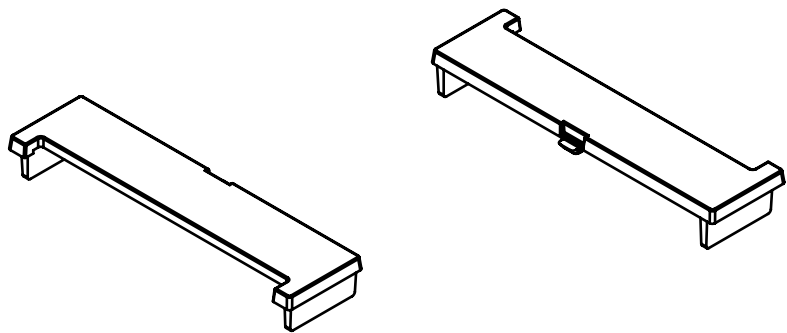




SECTION A-A



General Tolerance UNI EN 22768/1 Media (m)					Sheet:	
from 0.5 to 3 ± 0.1	from 3 to 6 ± 0.1	from 6 to 30 ± 0.2	from 30 to 120 ± 0.3	from 120 to 400 ± 0.5	1	
Scale: 1:1	Drawn: M.S.	Checked: R.N.	Date: 13/06/2023	Material: PC/ABS	Process: INJECTION	
Dimension in mm	<small>The present drawing cannot be reproduced or communicated to 3rd parties, even partially, without the authorization of ITALTRONIC Srl. Italtronic reserves to protect its own rights according to the law.</small>			Weight: 1.27 gr	Cod. Mold: ST.05CM000	
 italtronic enclosures for electronics italtronic.com				Description: COPRIMORSETTO SPECIALE 3M-CM084 LOW PROFILE TERMINAL COVER SPECIAL 3M-CM084 LOW PROFILE		
Drawing nr.:				Rev.:		
2_258_00020				00 A4		

General information:
 -  Workpiece zero point for mechanical processing
 - Minimum recommended radius for machining = R1.0 mm