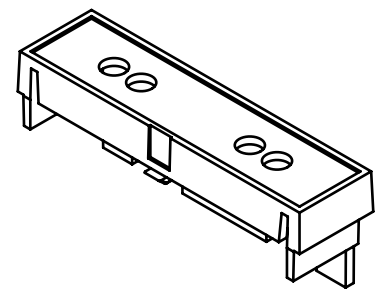
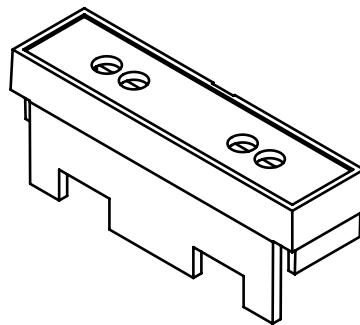


SECTION A-A



General Tolerance UNI EN 22768/1 Media (m)					Sheet:	
from 0.5 to 3 ± 0.1	from 3 to 6 ± 0.1	from 6 to 30 ± 0.2	from 30 to 120 ± 0.3	from 120 to 400 ± 0.5	1	
Scale: 1:1	Drawed: M.S.	Checked: R.N.	Date: 14/06/2023	Material: PC/ABS	Process: INJECTION	
Dimension in mm				Weight: 3.29 gr	Cod. Mold: ST.05CV000	
				Description: COPRIMORSETTO SPECIALE 3M-CM068 2+2 VIE 3MP05 TERMINAL COVER MODULBOX 3M-CM068 2+2 POLES		
italtronic.com				Drawing nr.: <b>2_250_03772</b>		Rev.: 00

General information:  
 - Workpiece zero point for mechanical processing  
 - Minimum recommended radius for machining = R1.0 mm