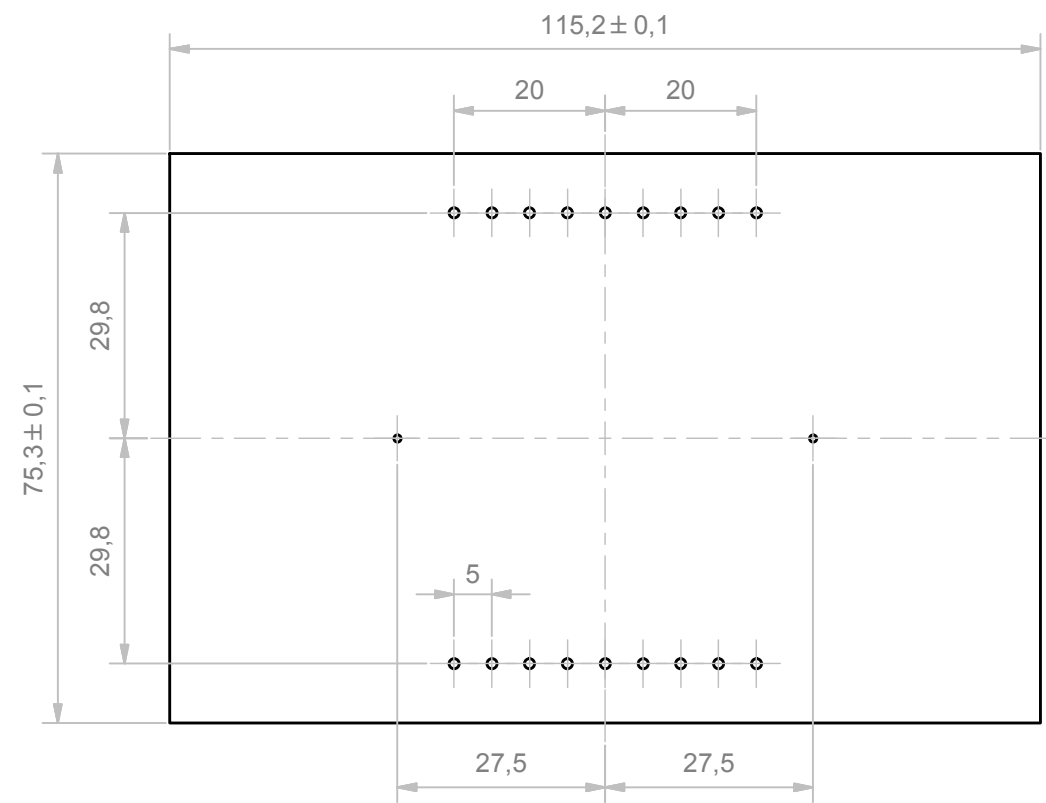
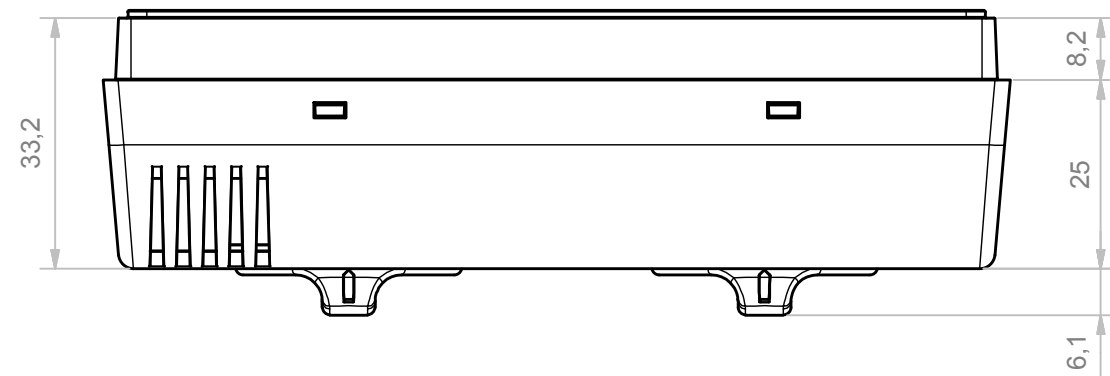
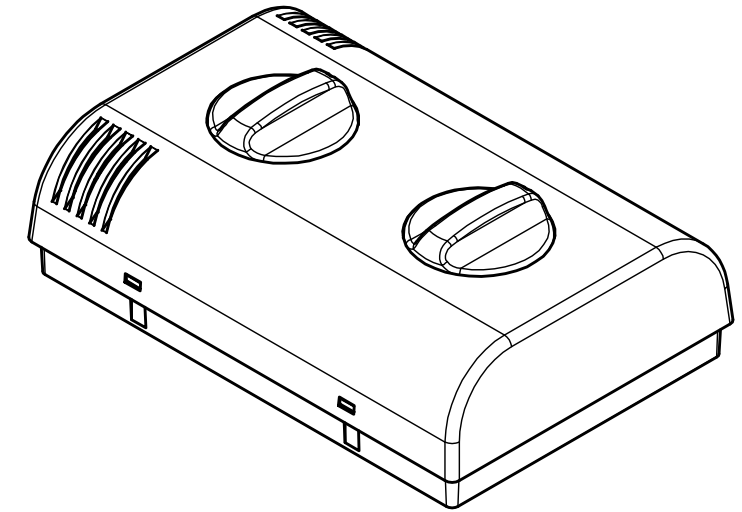
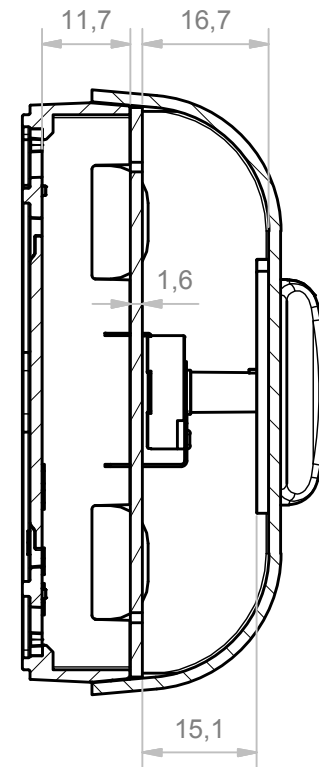


A-A (1:1)



RIF.	Q.TY	DESCRIPTION	CODE
1	1	BASE THERMO 120 CSF 18	T-02538
2	1	COVER THERMO 120 WITH 2 HOLES FOR KNOB D30	
3	2	KNOB D30 MM	V-01382
4	2	PIN THERMO	V-01384

RESERVED PROPERTY: The present drawing cannot be reproduced or communicated to 3d parties, even partially, without the authorization of ITALTRONIC Srl. Italtronic reserves to protect its own rights according to the law.

5 4 3 2 1

GENERAL TOLERANCE	UNI EN 22768/1 Media (m)	Drawn:	Checked:	Revision description
SHEET NR.	Dimension in mm	DRAWING BY	Rigato N.	Fanin F.
1 / 1		 Manual modification are not allowed	Date: 07/03/2017	Replace nr.
				Scale: 1 : 1
				Part number:

 UN PARTNER PER IL FUTURO PLASTIC+ Group ITALTRONIC	Denomination:
	COMPLETE ENCLOSURE THERMO 120 CSF WITH 2 KNOBS D30
 ITALTRONIC S.R.L. VIA AUSTRIA 25/D 35127 PADOVA - ITALY www.italtronic.com	Drawing nr. T-06836-00