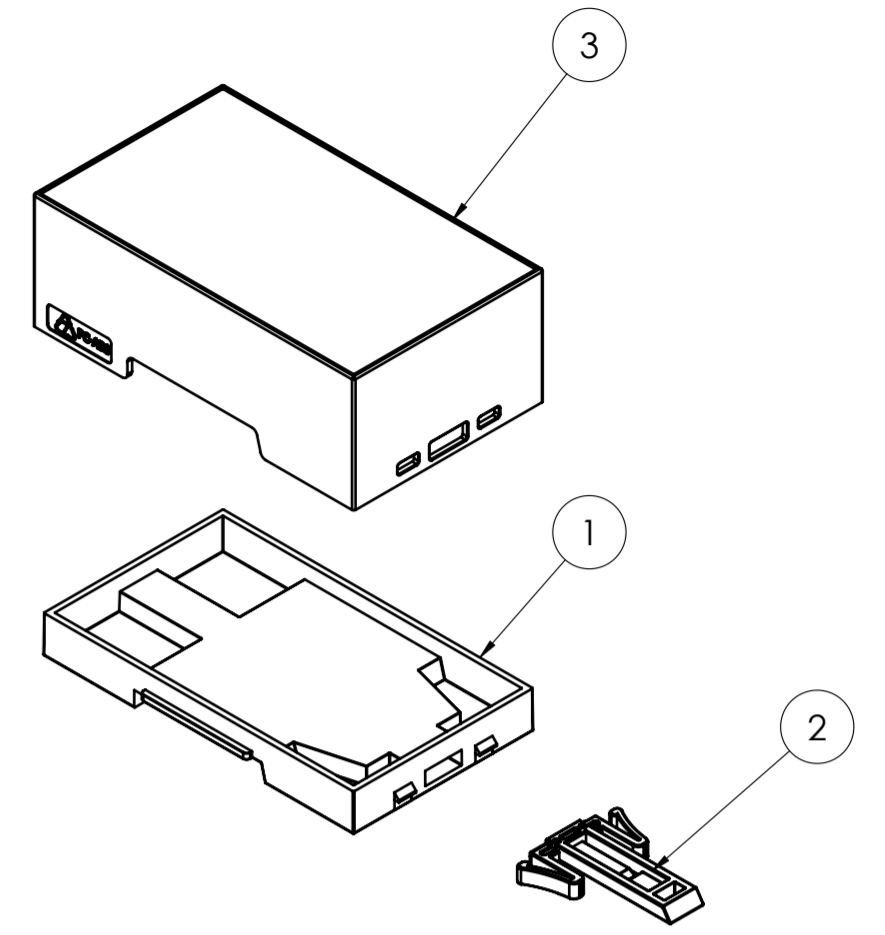
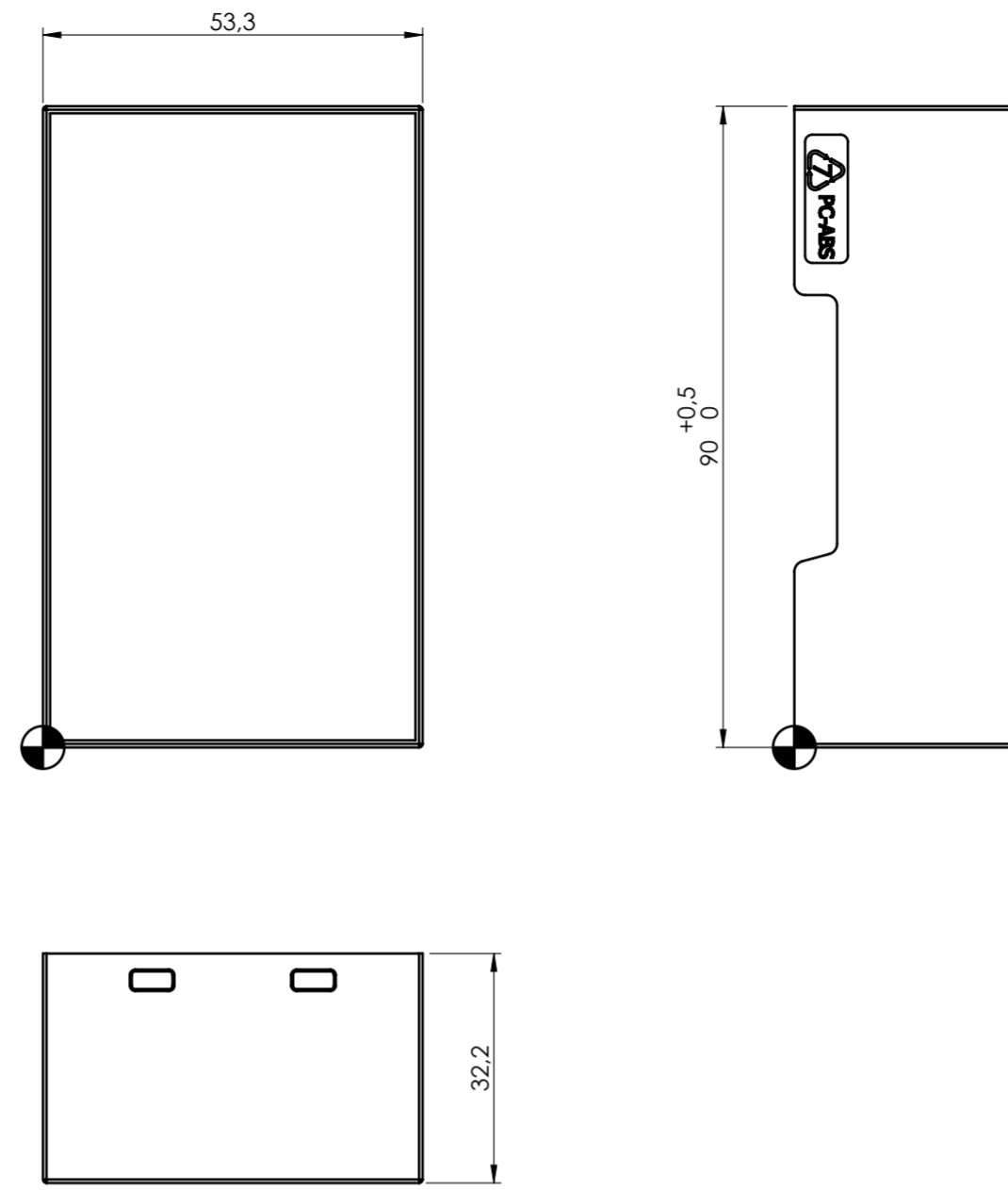
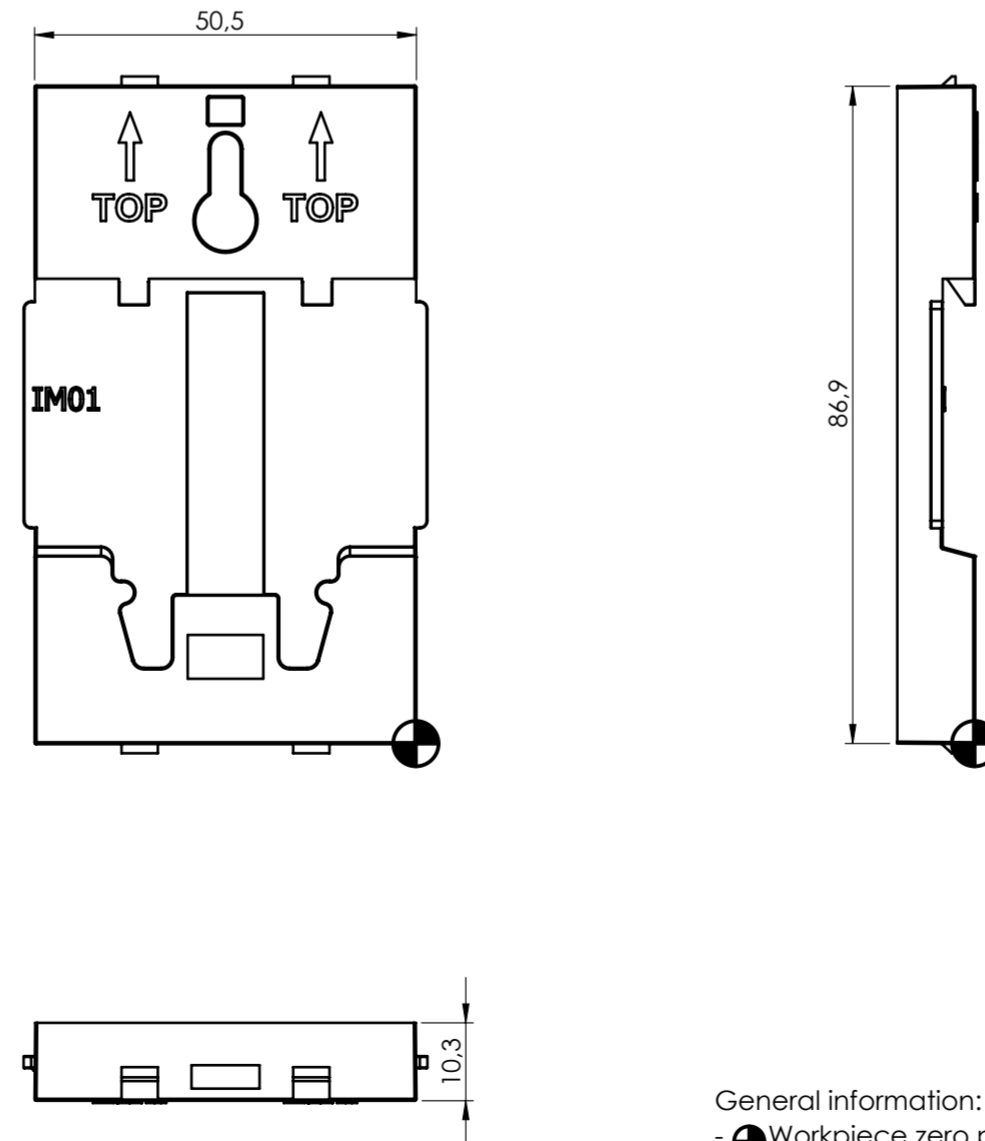


BADY ENCLOSURE

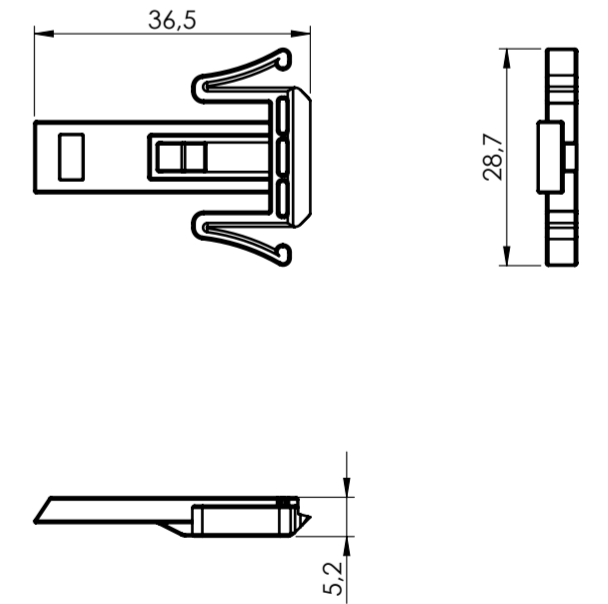


BASE



General information:
 - Workpiece zero point for mechanical processing
 - Minimum recommended radius for machining = R1.0 mm
 - Mounting rail like EN 60715: TH 35-7.5 or TH 35-15
 - Recommended PCB outline on www.italtronic.com
 - Medium thickness = 1.5

HOOK



RIF.	Q.TY	DRAWING	DESCRIPTION
1	1	2_250_03677	BASE MODULBOX XT/XTS - 3M
2	1	2_250_00072	HOOK FOR MODULBOX XT-XTS
3	1	2_250_00005	BODY MODULBOX XTS 3MC33-C CLOSED COMPACT

General Tolerance UNI EN 22768/1 Media (m)					Sheet:
from 0.5 to 3	from 3 to 6	from 6 to 30	from 30 to 120	from 120 to 400	1
± 0.1	± 0.1	± 0.2	± 0.3	± 0.5	
Scale:	IM:	Drawed:	Checked:	Date:	Process:
1:1	--	M.S.	R.N.	11/03/2024	
Dimension in mm		Replaces the:		Weight:	Cod. Mold:
		M-05172-00		gr	--

italtronic
 enclosures for electronics
italtronic.com

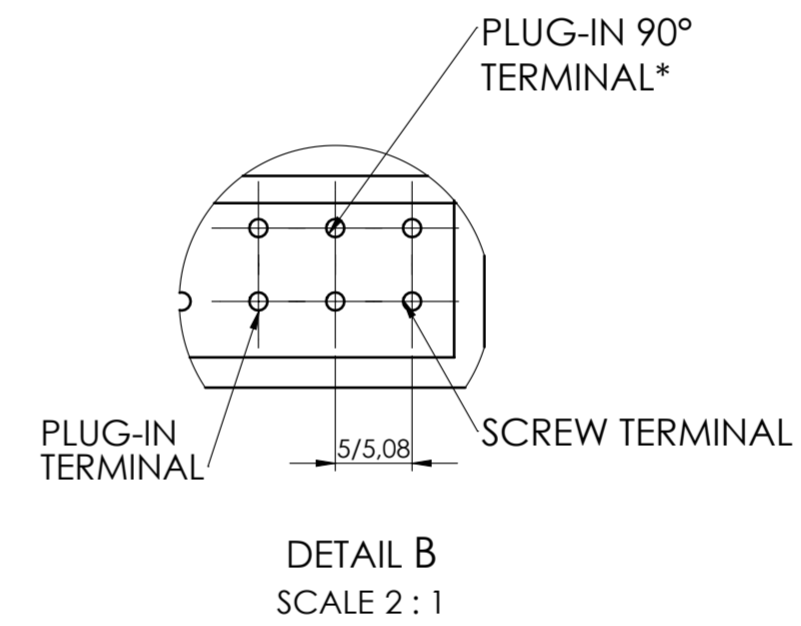
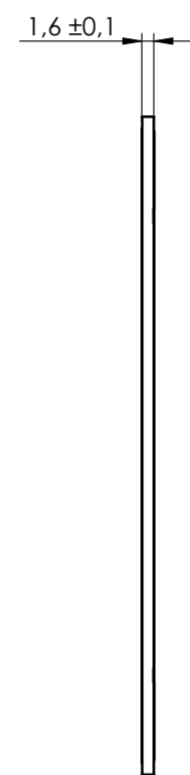
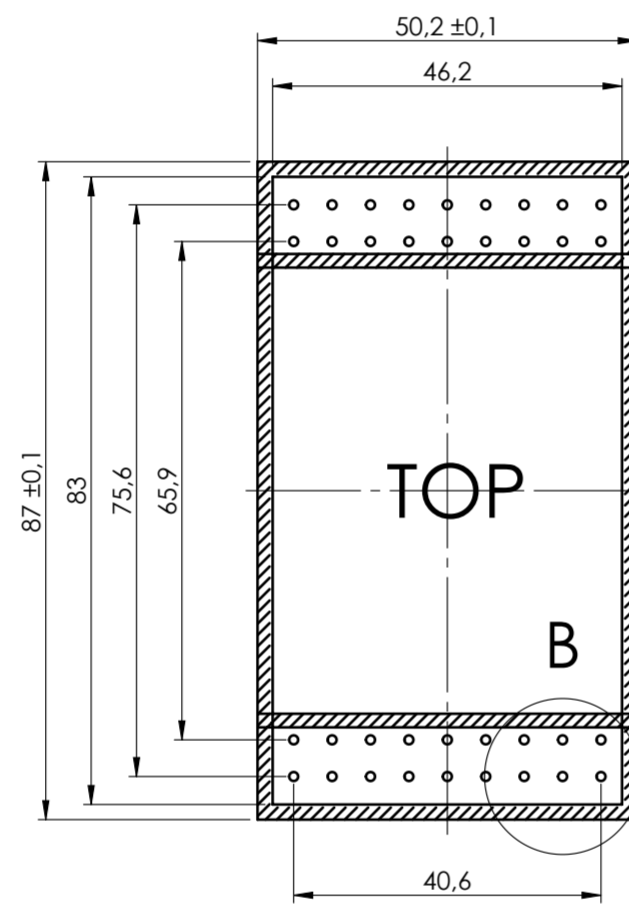
Description:
 KIT CONTENITORE MODULBOX XTS COMPACT 3MC33-C
 KIT ENCLOSURE MODULBOX XTS COMPACT 3MC33-C

Drawing nr.: **3_250_00008**

Rev.: **00** A2

PCB A

Max height of the terminal:
Modulbox XT/XTS: 18.5 mm



General Tolerance UNI EN 22768/1 Media (m)						Sheet:
from 0.5 to 3 ± 0.1	from 3 to 6 ± 0.1	from 6 to 30 ± 0.2	from 30 to 120 ± 0.3	from 120 to 400 ± 0.5		PCB
Scale:	IM:	Drawn:	Checked:	Date:	Material:	Process:
1:1	--	M.S.	R.N.	11/03/2024		
	The present drawing cannot be reproduced or communicated to 3rd parties, even partially, without the authorization of Italtronic. Italtronic reserves the right to protect its copyrights according to the law.		Replaces the:	Derived from:	Weight:	Cod. Mold:
Dimension in mm			M-05172-00	--	gr	--
 italtronic enclosures for electronics italtronic.com						Description:
						KIT CONTENITORE MODULBOX XTS COMPACT 3MC33-C KIT ENCLOSURE MODULBOX XTS COMPACT 3MC33-C
Drawing nr.:						Rev.:
3_250_00008						00 A2

NO COMPONENTS AREA