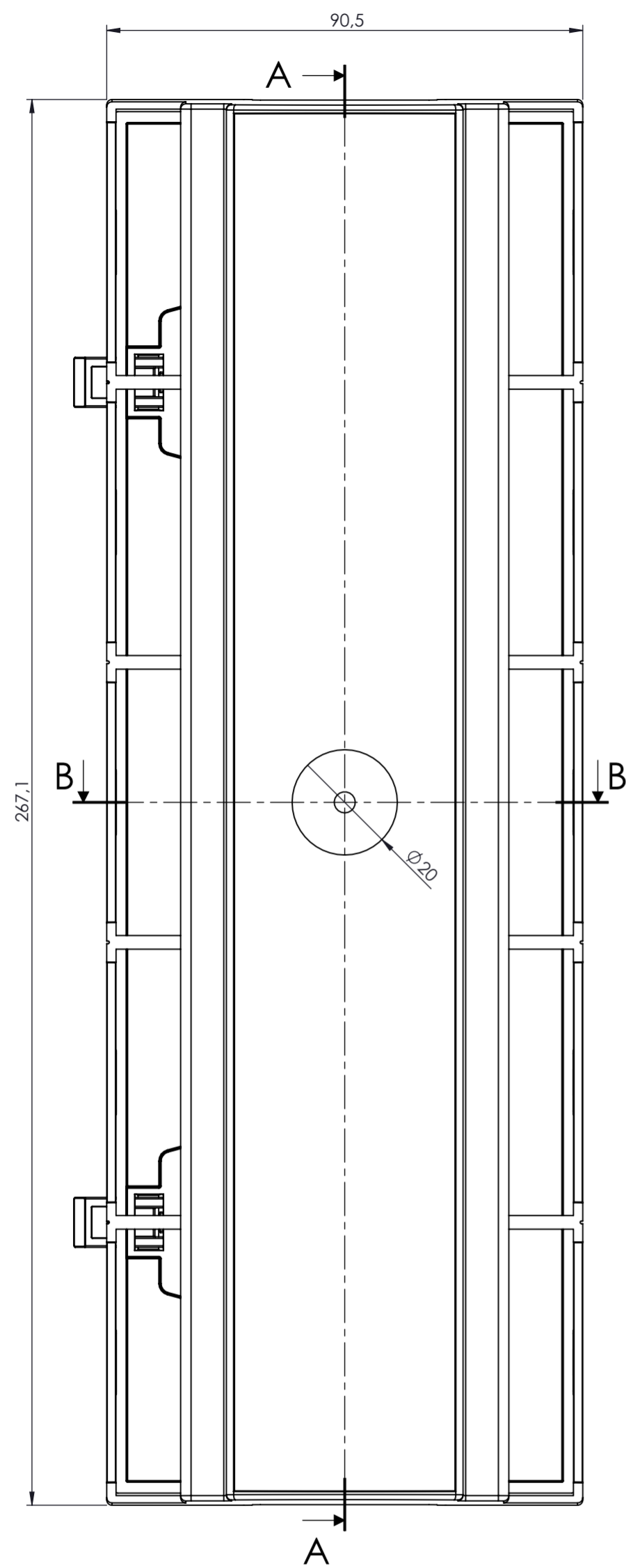
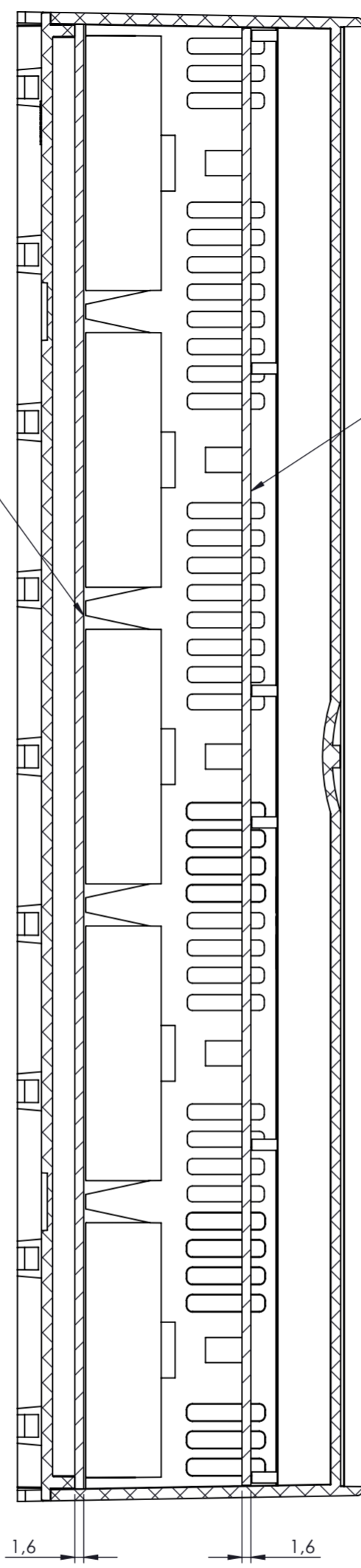


RIF.	Q.TY	DRAWING	DESCRIPTION
1	1	3_250_00058	BASE MODULBOX 15M
2	2	2_250_00072	MODULAR HOOK LONG
3	1	2_250_00127	BODY ENCLOSURE MODULBOX XTS VENTILATED CLOSED 15MHC53V-A

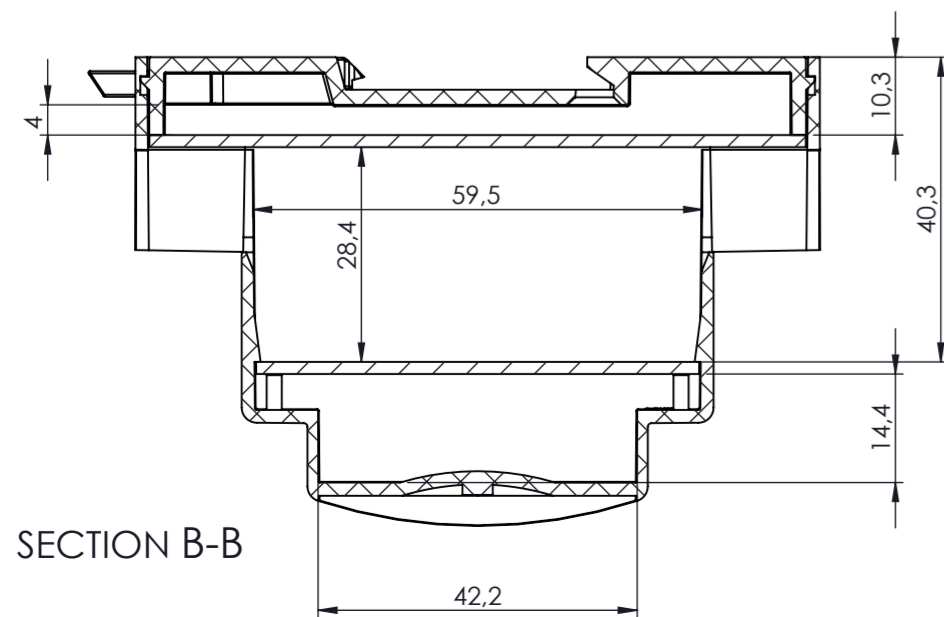
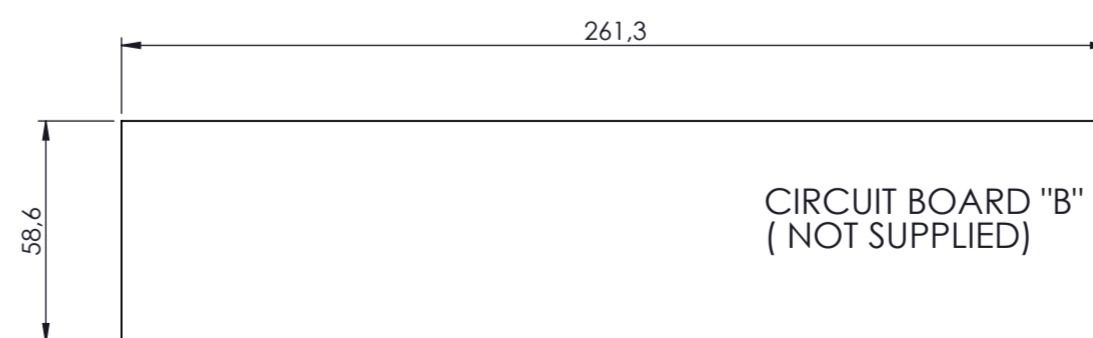
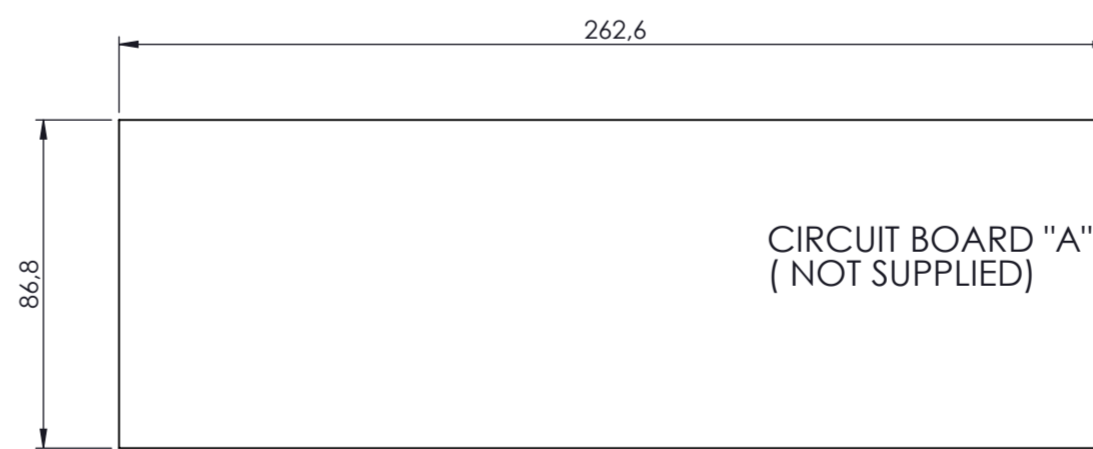
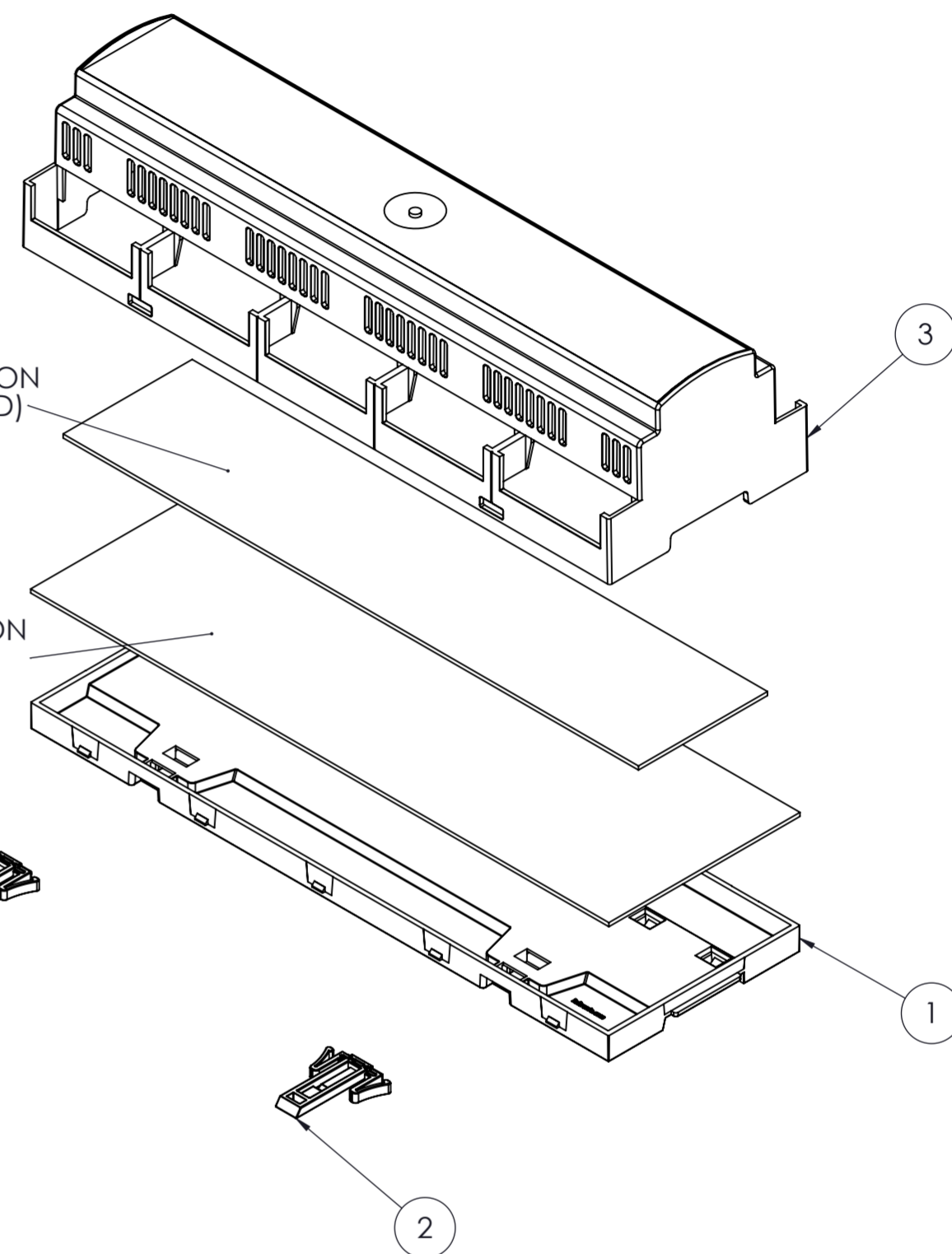


PCB "A" POSITION
(NOT SUPPLIED)

PCB "B" POSITION
(NOT SUPPLIED)



SECTION A-A



SECTION B-B

General Tolerance UNI EN 22768/1 Media (m)					Rev.	description
from 0.5 to 3	from 3 to 6	from 6 to 30	from 30 to 120	from 120 to 400
±0.1	±0.1	±0.2	±0.3	±0.5
Scale:	Sheet nr.:	Drawn:	Checked:	Date:	Rev.	description
1:1	1/1	R.N.	R.N.	11/09/2020	--	--
Dimension in mm		Material:		Weight:	Cod. Mold:	
italtronic		Description:		Rev.		
enclosures for electronics		KIT CONTENITORE MODULBOX XTS VENTILATO CHIUSO 15MHC53V-A		..		
italtronic.com		Drawing nr.		..		
		3_250_00072		..		
				00 A2		

RESERVED PROPERTY OF ITALTRONIC S.p.A. All rights reserved. No part of this document can be reproduced or transmitted in any form or by any means, electronic or mechanical, including photocopying and recording, or by any information storage and retrieval system, without the prior written permission of ITALTRONIC S.p.A.