

BODY ENCLOSURE

BASE

HOOK

General information:
 - Workpiece zero point for mechanical processing
 - Minimum recommended radius for machining = R1.0 mm
 - Mounting rail like EN 40715; TH 35-7.5 or TH 35-15
 - Recommended PCB outline on www.italtronic.com

| RIF. | Q.TY | DRAWING | DESCRIPTION |
|------|------|-------------|----------------------------|
| 1 | 1 | 2_250_03627 | BASE MODULBOX XT-XTS 12M |
| 2 | 2 | 2_250_00072 | HOOK FOR MODULBOX XT-XTS |
| 3 | 1 | 2_250_03670 | BODY MODULBOX XTS 12MH53-B |

| Dimension in mm | from 0.5 to 3 | from 3 to 6 | from 6 to 30 | from 30 to 120 | from 120 to 400 | Sheet |
|--|---------------|-------------|--------------|----------------|-----------------|-------|
| General Tolerances (UNE EN 22768/1) Medio [mm] | ±0.1 | ±0.1 | ±0.2 | ±0.3 | ±0.5 | 1 |

| Scale: | IM: | Drawn: | Checked: | Date: | Material: | Process: |
|--------|-----|--------|----------|------------|-----------|----------|
| 1:1 | -- | -- | R.N. | 04/05/2023 | -- | -- |

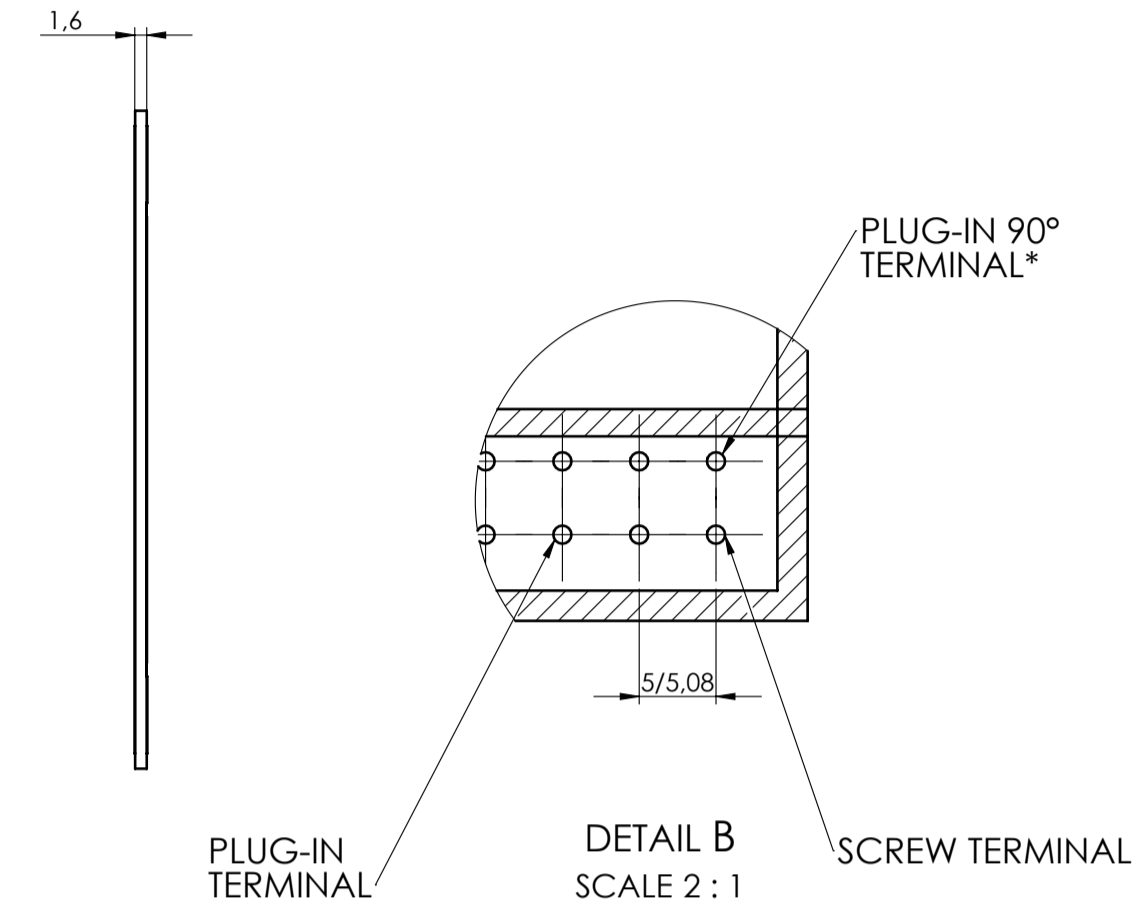
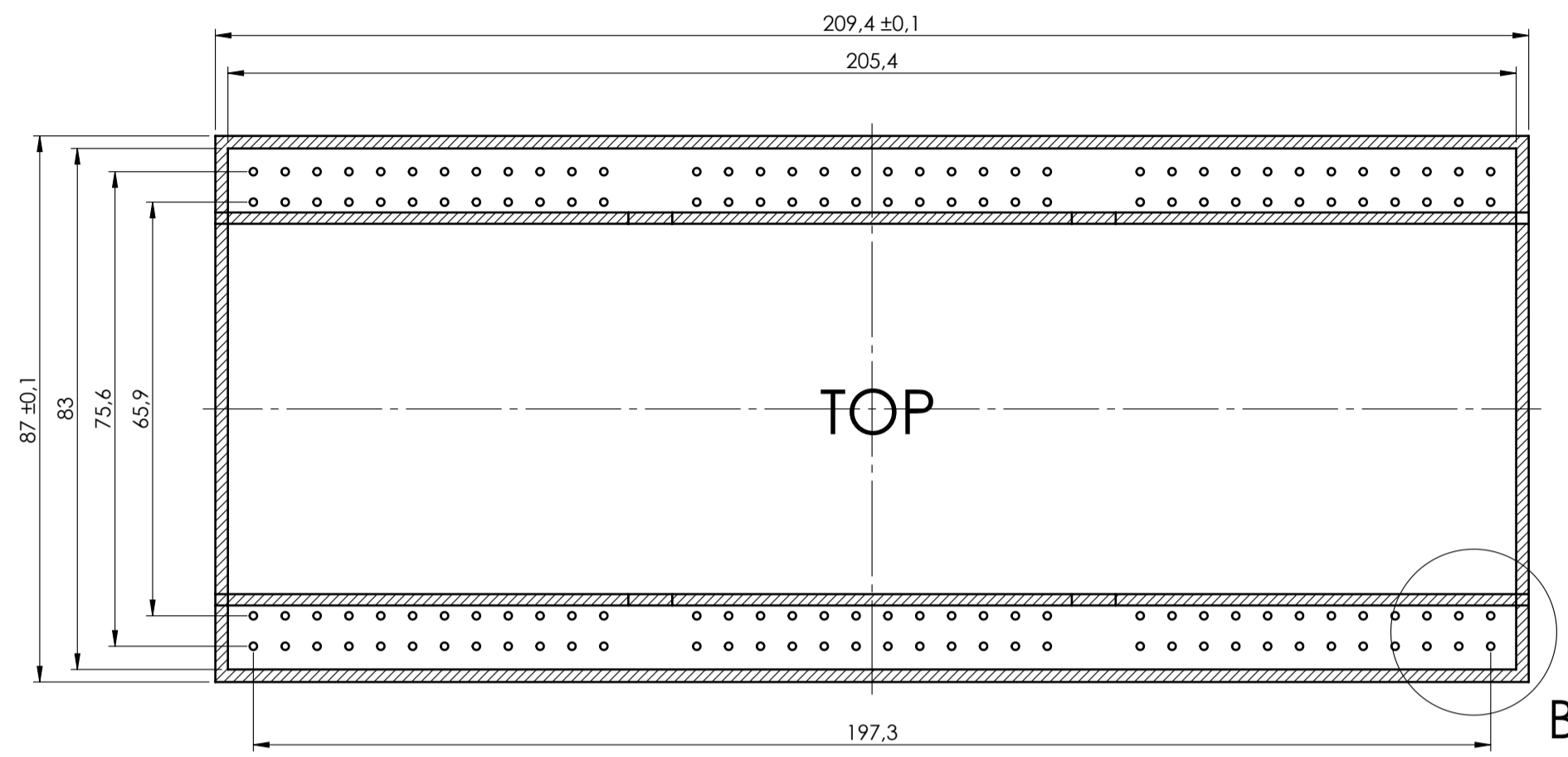
| Replaces the: | Derived from: | Weight: | Cod. Mold: |
|---------------|---------------|---------|------------|
| M-04142-01 | -- | gr | -- |

| Description: | | Rev: | |
|---------------------------------------|--|------|--|
| KIT CONTENITORE MODULBOX XTS 12MH53-B | | 00 | |
| KIT ENCLOSURE MODULBOX XTS 12MH53-B | | A1 | |

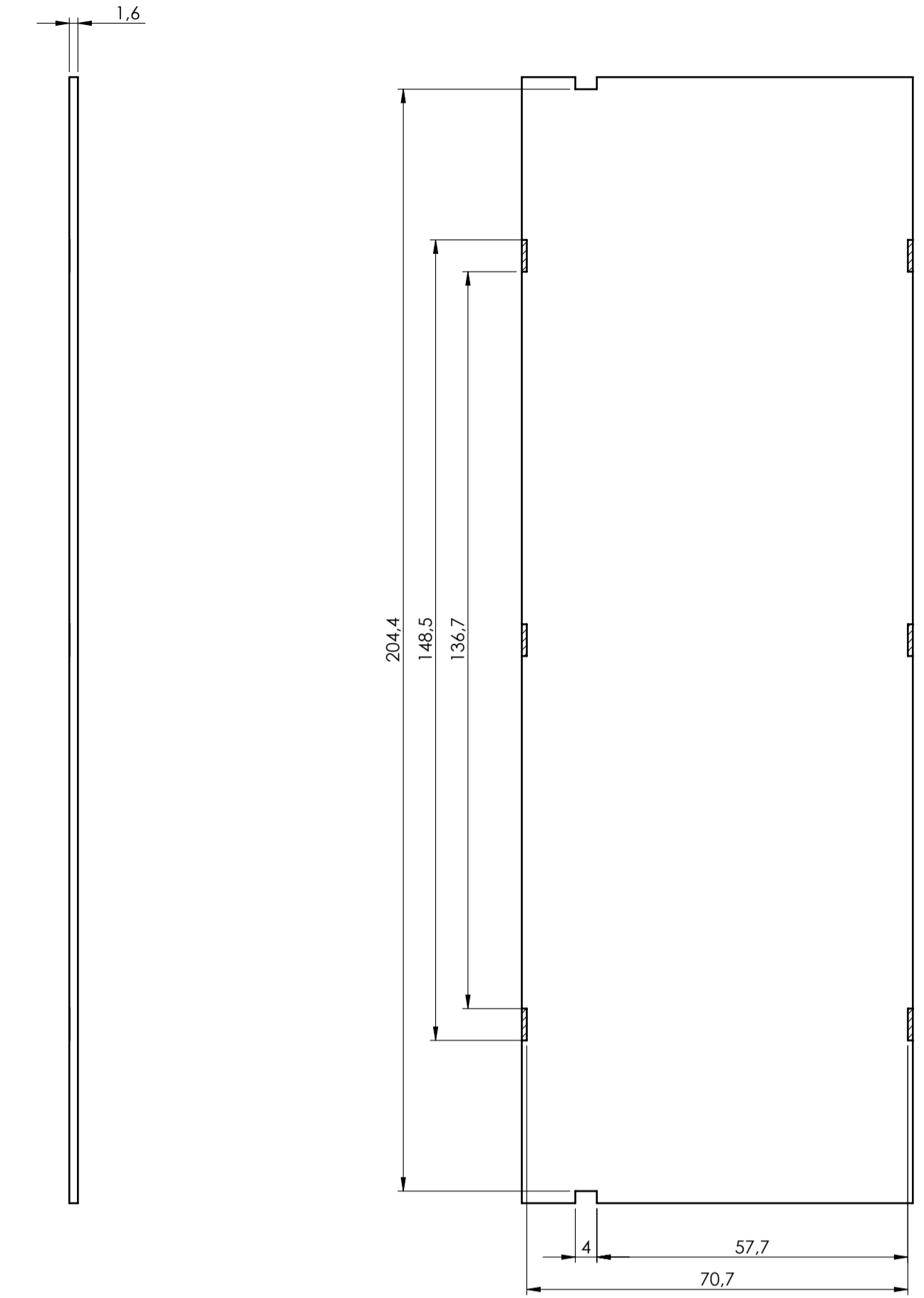
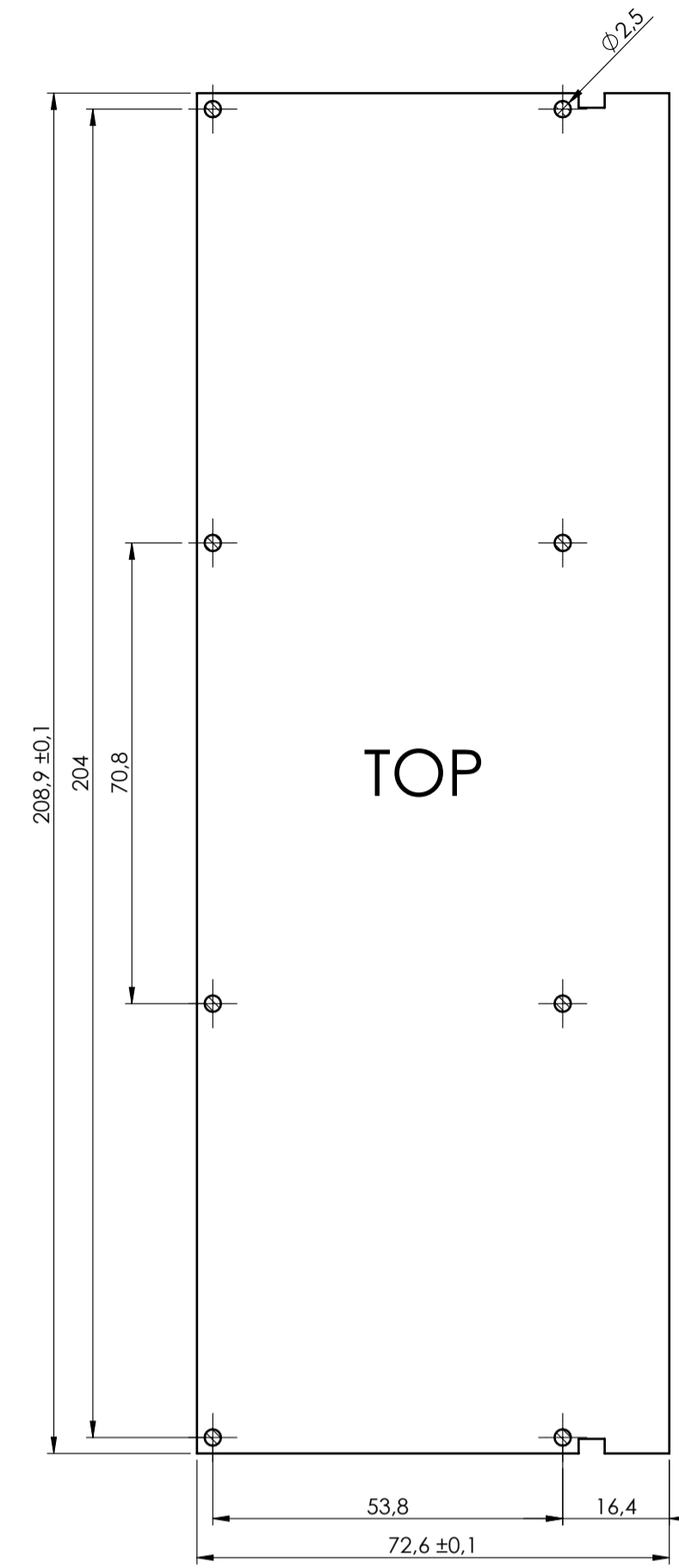
italtronic
 enclosures for electronics
www.italtronic.com **3_250_00104**

PCB A

Max height of the terminal:
Modulbox XT/XTS: 18.5 mm
Modulbox ONE: 20 mm

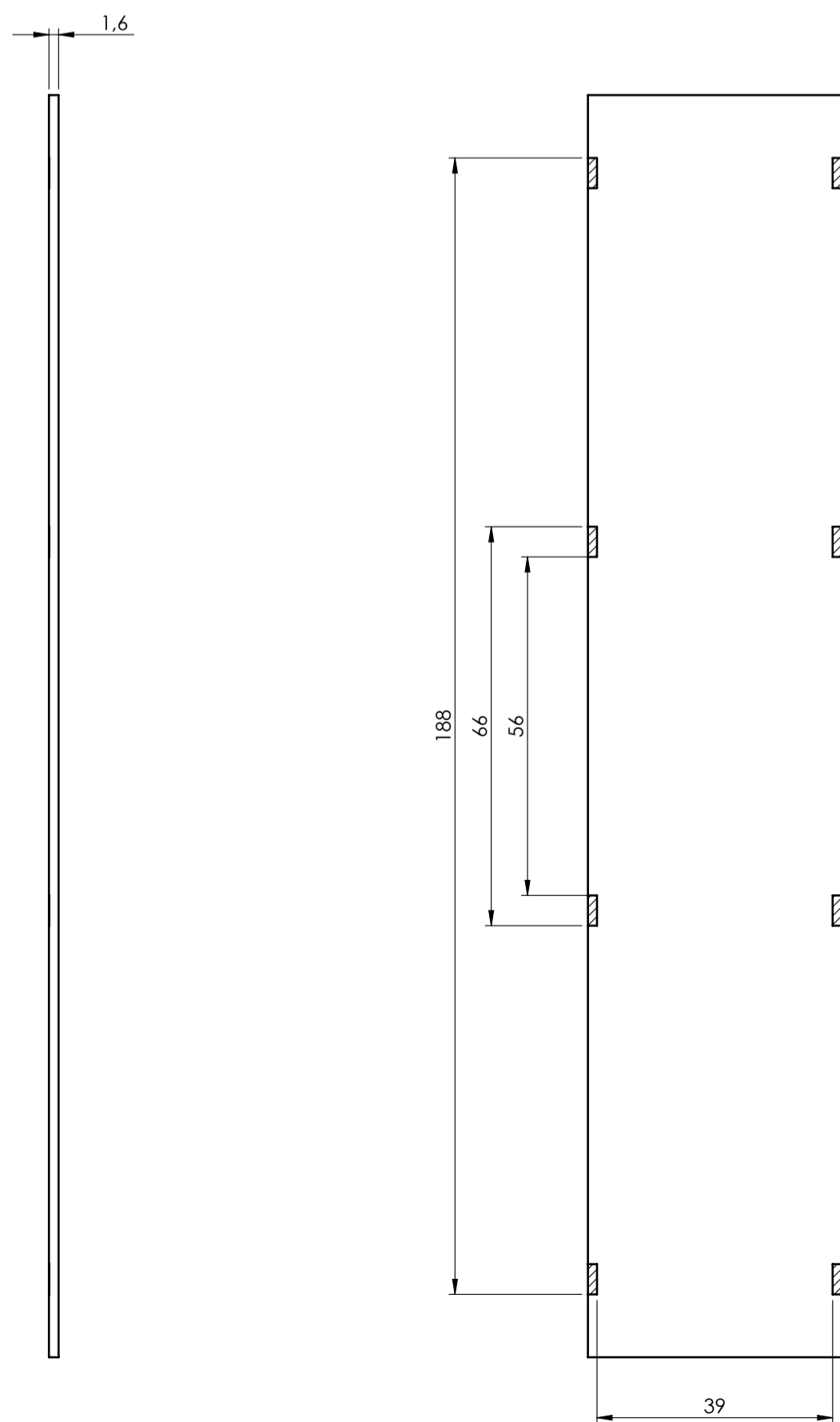
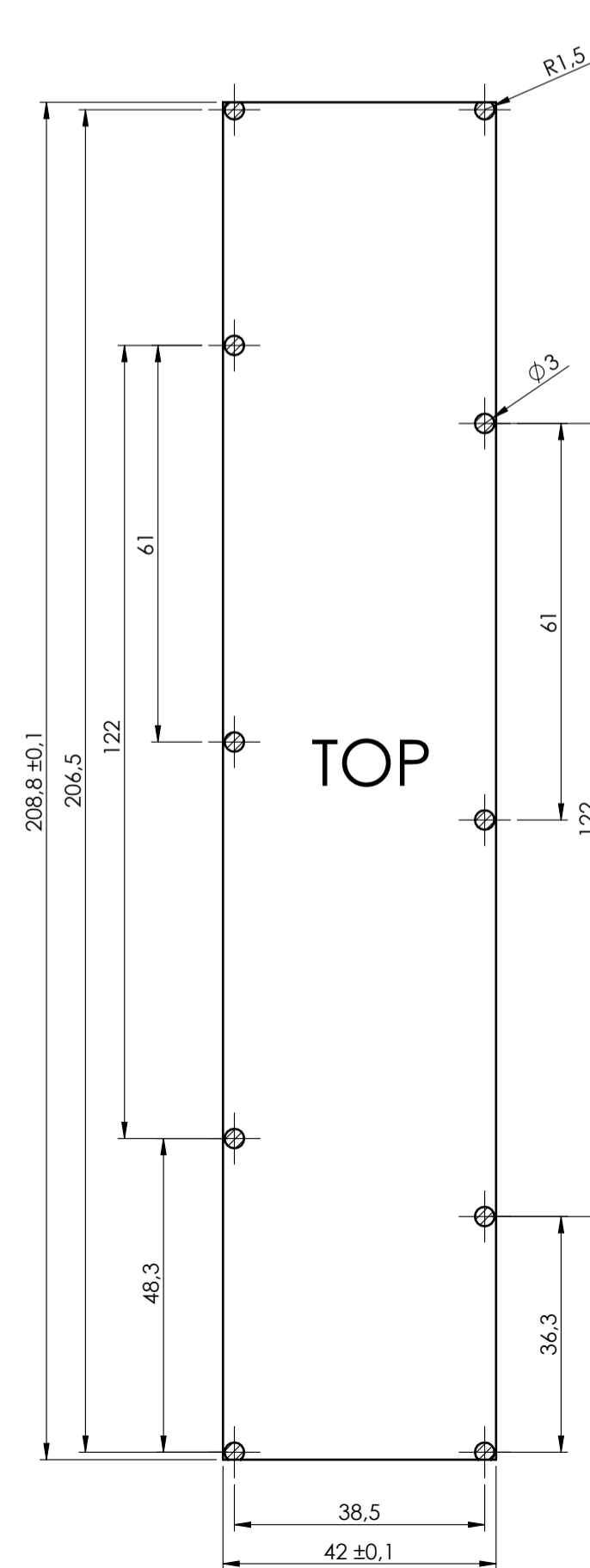


PCB B

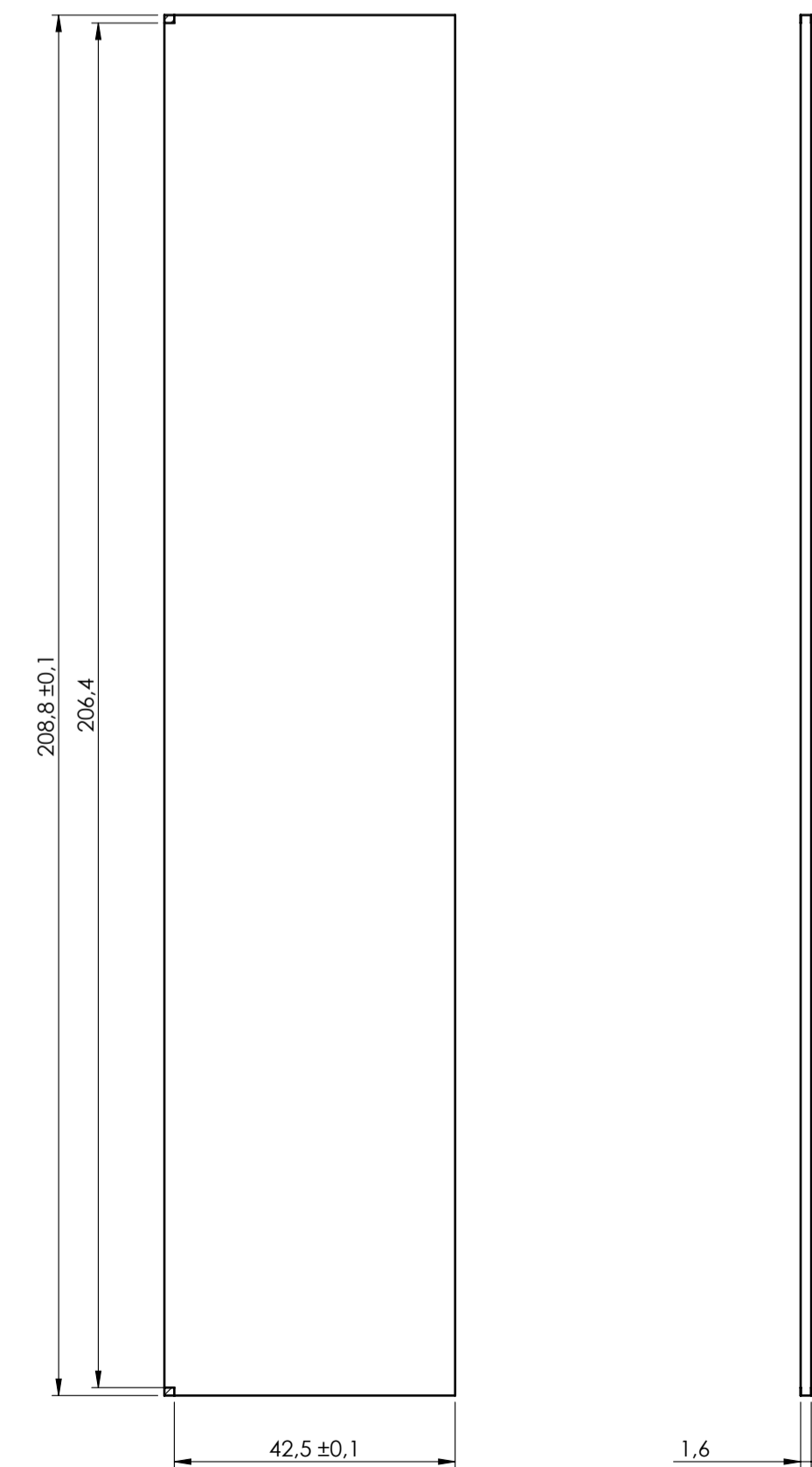


*To use the PLUG-IN terminals in Modulbox ONE use plug-in adapter P05000003E (5/5.08 pitch) and P05000004E (7.5/7.62 pitch)

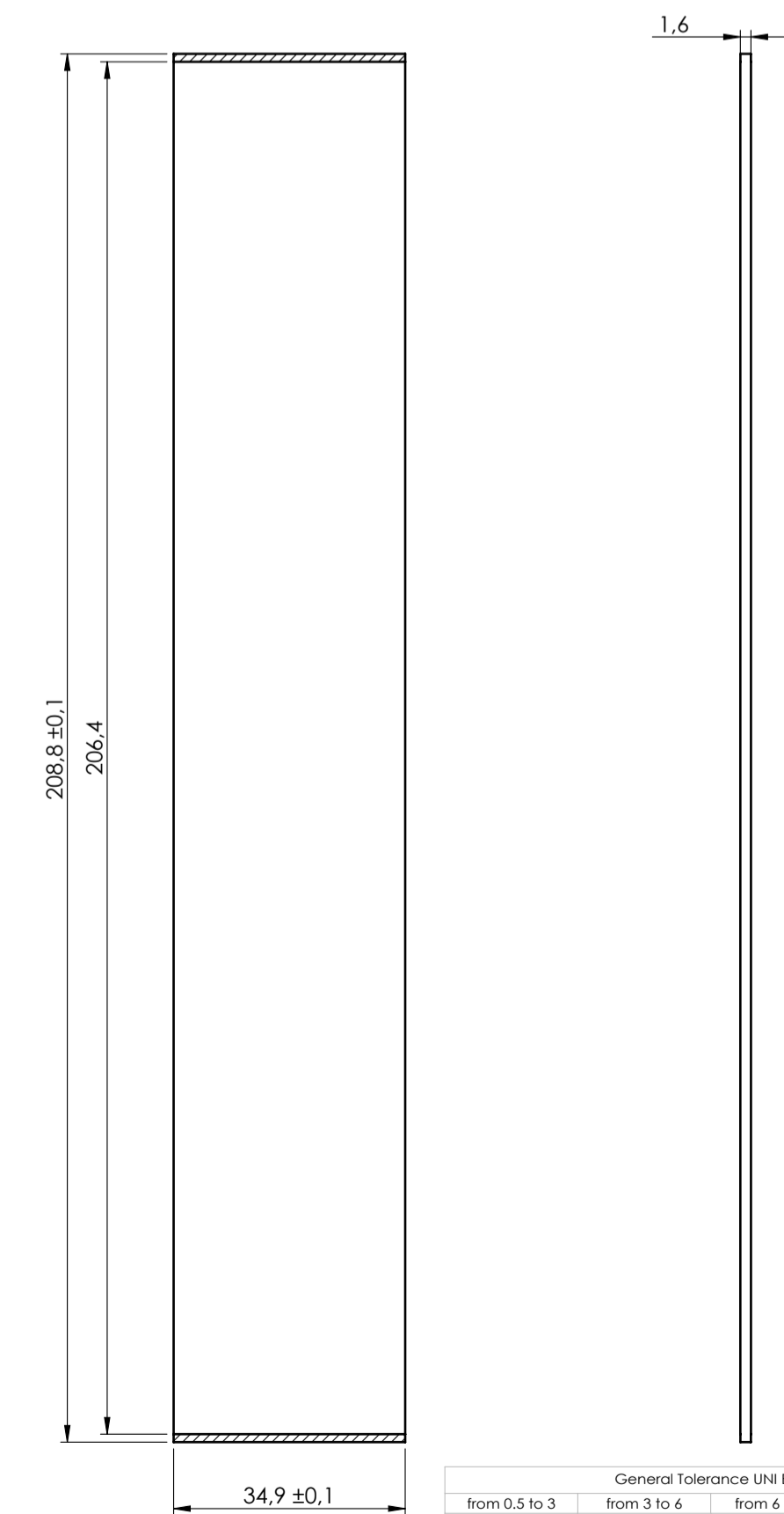
PCB C



PCB V2



PCB V1



| General Tolerance IEC EN 22768/1 Media (m) | | | | Sheet: | |
|--|-------------|--------------|----------------|--|---------------|
| from 0.5 to 3 | from 3 to 6 | from 6 to 30 | from 30 to 120 | from 120 to 400 | PCB |
| ± 0.1 | ± 0.1 | ± 0.2 | ± 0.3 | ± 0.5 | Process: |
| Scale: 1:1 | IM: | Drawn: | Checked: | Date: 04/05/2023 | Material: |
| Dimension in mm | | | | Replaces the: M-04142-01 | Derived from: |
| | | | | Weight: gr | Cod. Mold: |
| | | | | Description: KIT CONTENITORE MODULBOX XTS 12MH3-B KIT ENCLOSURE MODULBOX XTS 12MH3-B | |
| | | | | 3.250_00104 | Rev.: 00 A1 |

NO COMPONENTS AREA



enclosures for electronics
italtironi.com