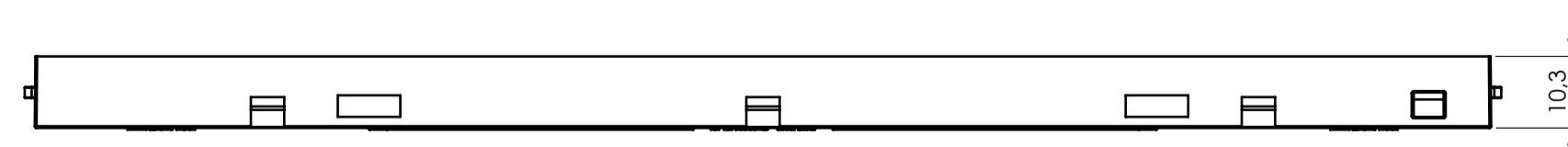
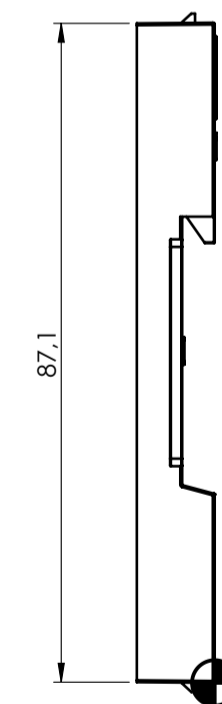
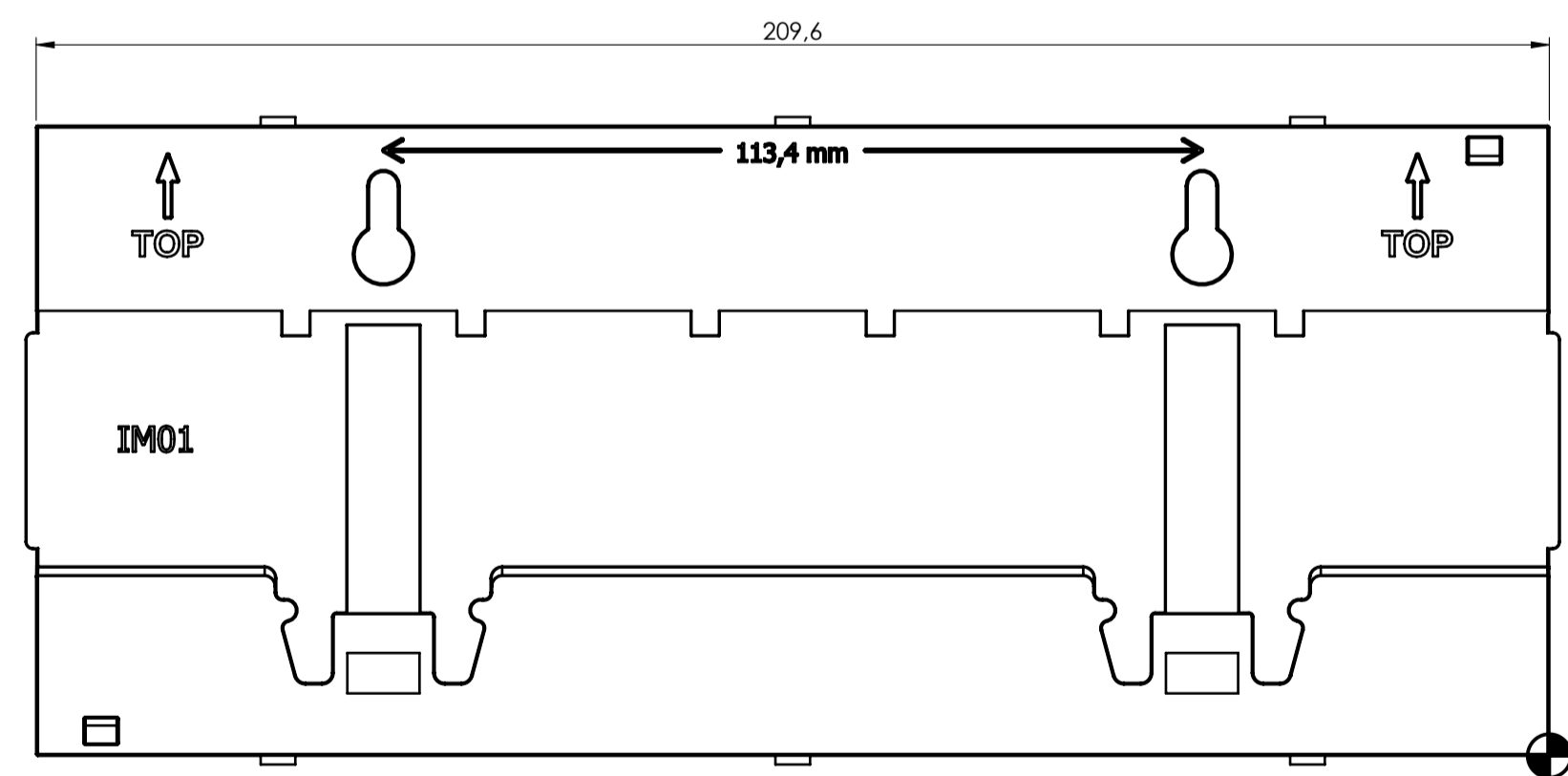
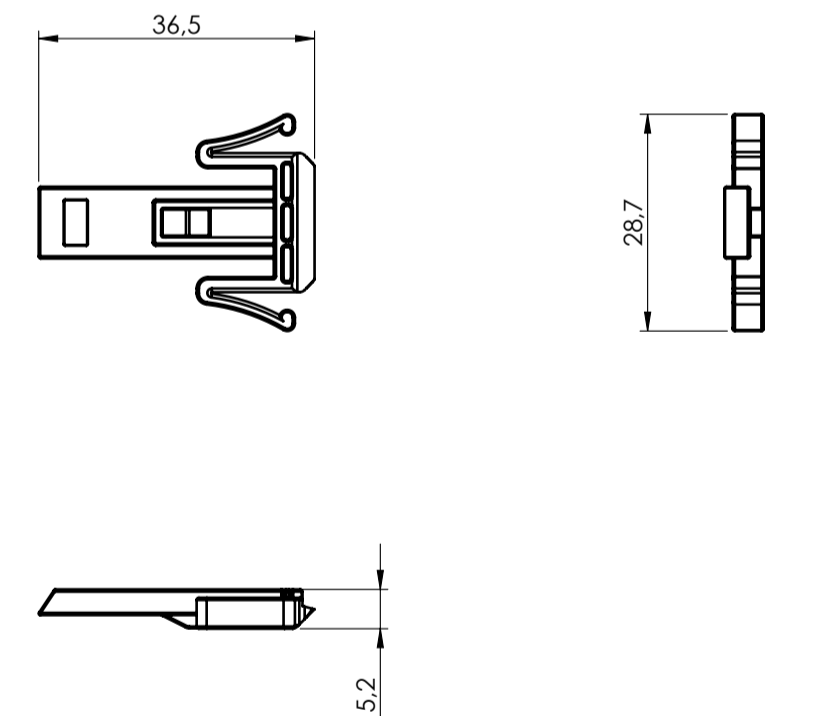


BASE



HOOK



General information:
 ● Workpiece zero point for mechanical processing
 - Minimum recommended radius for machining = R1.0 mm
 - Mounting rail like EN 60715: TH 35-7.5 or TH 35-15
 - Recommended PCB outline on www.italtronic.com

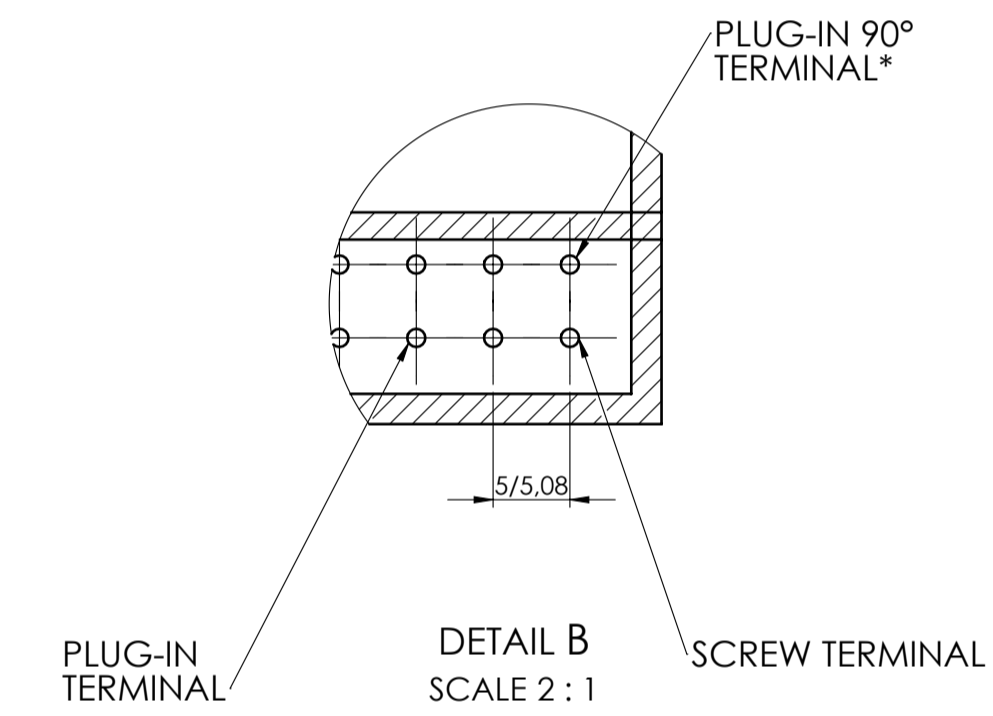
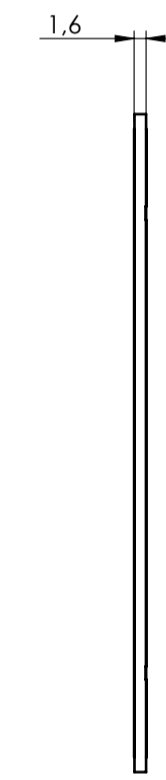
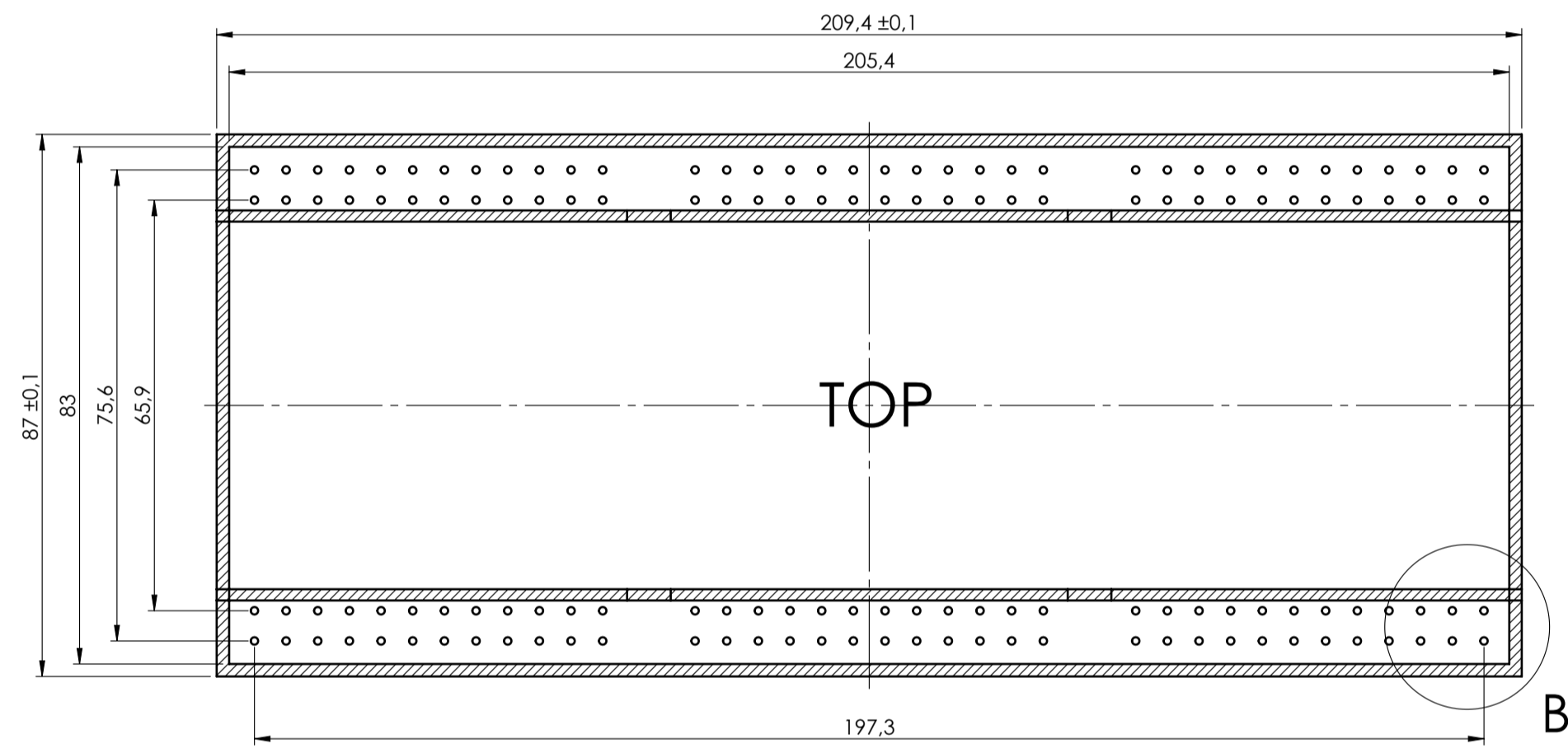
RIF.	Q.TY	DRAWING	DESCRIPTION
1	1	2_250_03627	BASE MODULBOX XT-XTS 12M
2	2	2_250_00072	HOOK FOR MODULBOX XT-XTS
3	1	2_250_03696	BODY MODULBOX XTS 12MCS3-A

General Tolerances (UNE EN 22768/1 Medio [mm])			
from 0.5 to 3	from 3 to 6	from 6 to 30	from 30 to 400
±0.1	±0.1	±0.2	±0.5

Scale:	1:1	IM:	--	Drawn:	R.N.	Checked:	R.N.	Date:	19/05/2023	Material:	gr	Process:	--
Dimension in mm	Description: KIT CONTENITORE MODULBOX XTS 12MCS3-A CHIUSO KIT ENCLOSURE MODULBOX XTS 12MCS3-A CLOSED												
											Rev.:	1	
italtronic.com											3_250_00122		A1

PCB A

Max height of the terminal:
 Modulbox XT/XTS: 18.5 mm
 Modulbox ONE: 20 mm



*To use the PLUG-IN terminals in Modulbox ONE use plug-in adapter P05000003E (5/5.08 pitch) and P05000004E (7.5/7.62 pitch)

General Tolerance IIR EN 22768/1 Media [m]				Sheet:	
from 0.5 to 3 ± 0.1	from 3 to 6 ± 0.1	from 6 to 30 ± 0.2	from 30 to 120 ± 0.3	from 120 to 400 ± 0.5	PCB
Scale:	1:1	Drawn:	R.N.	Date:	19/05/2023
Dimension in mm	The user always must be aware of the dimensions of the components and the dimensions of the PCB in order to avoid any error in the assembly process.		Derived from:	Weight:	gr
Description:			Cod. Mold:		
KIT CONTENITORE MODULBOX XTS 12MC53-A CHIUSO			-		
KIT ENCLOSEURE MODULBOX XTS 12MC53-A CLOSED			Rev.:		
Drawing n°:			1		
Italtironi			3_250_00122		
enclosures for electronics			A1		
italtronic.com					

NO COMPONENTS AREA