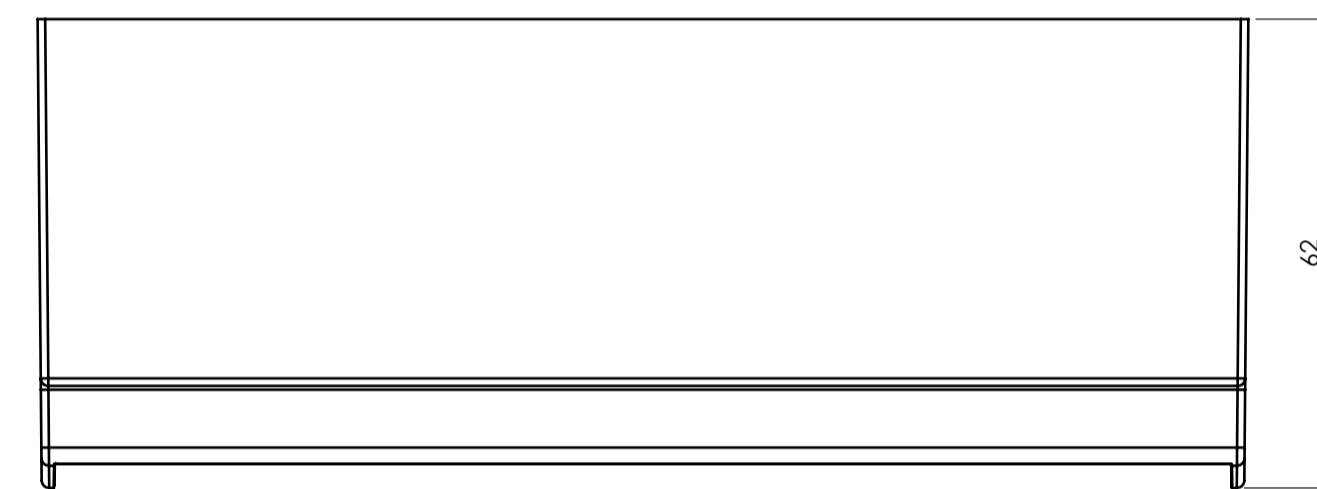
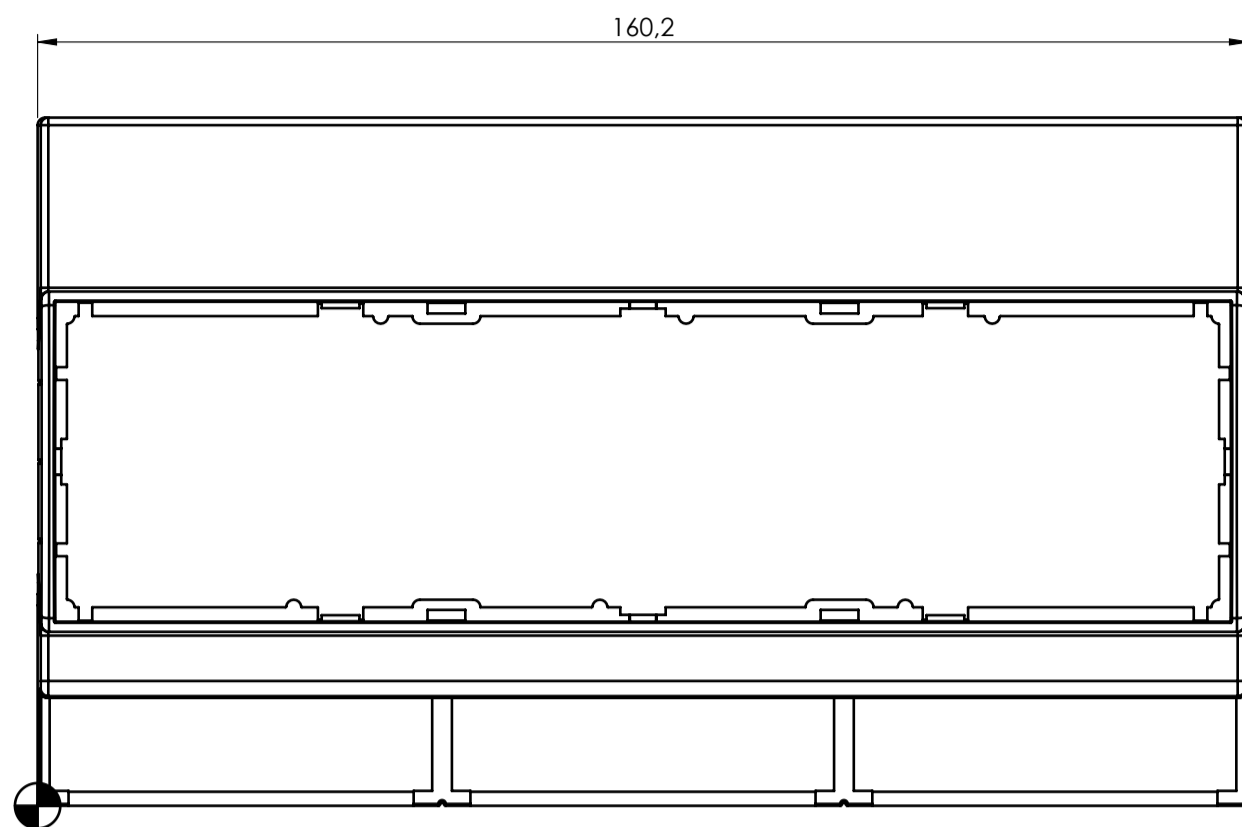
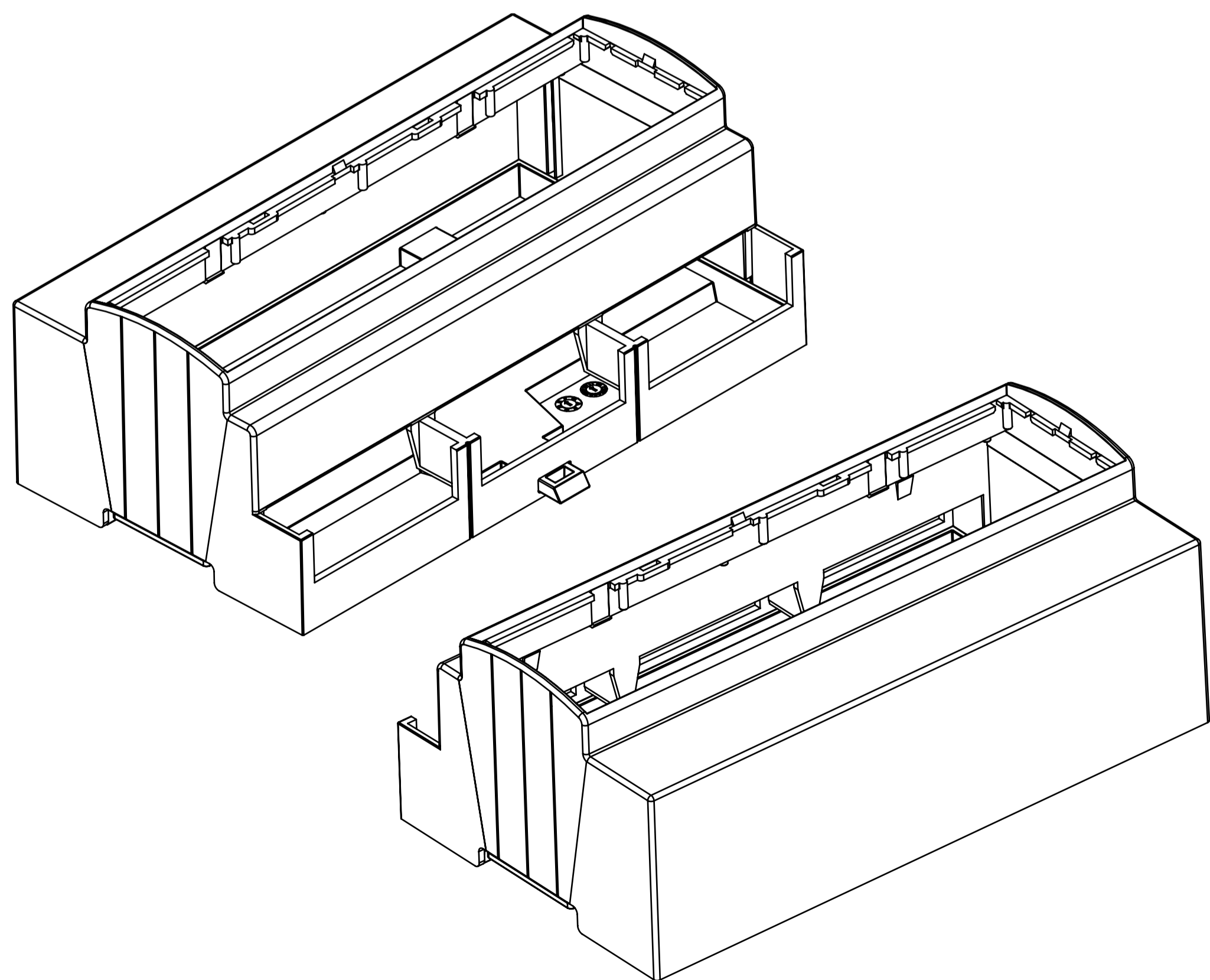
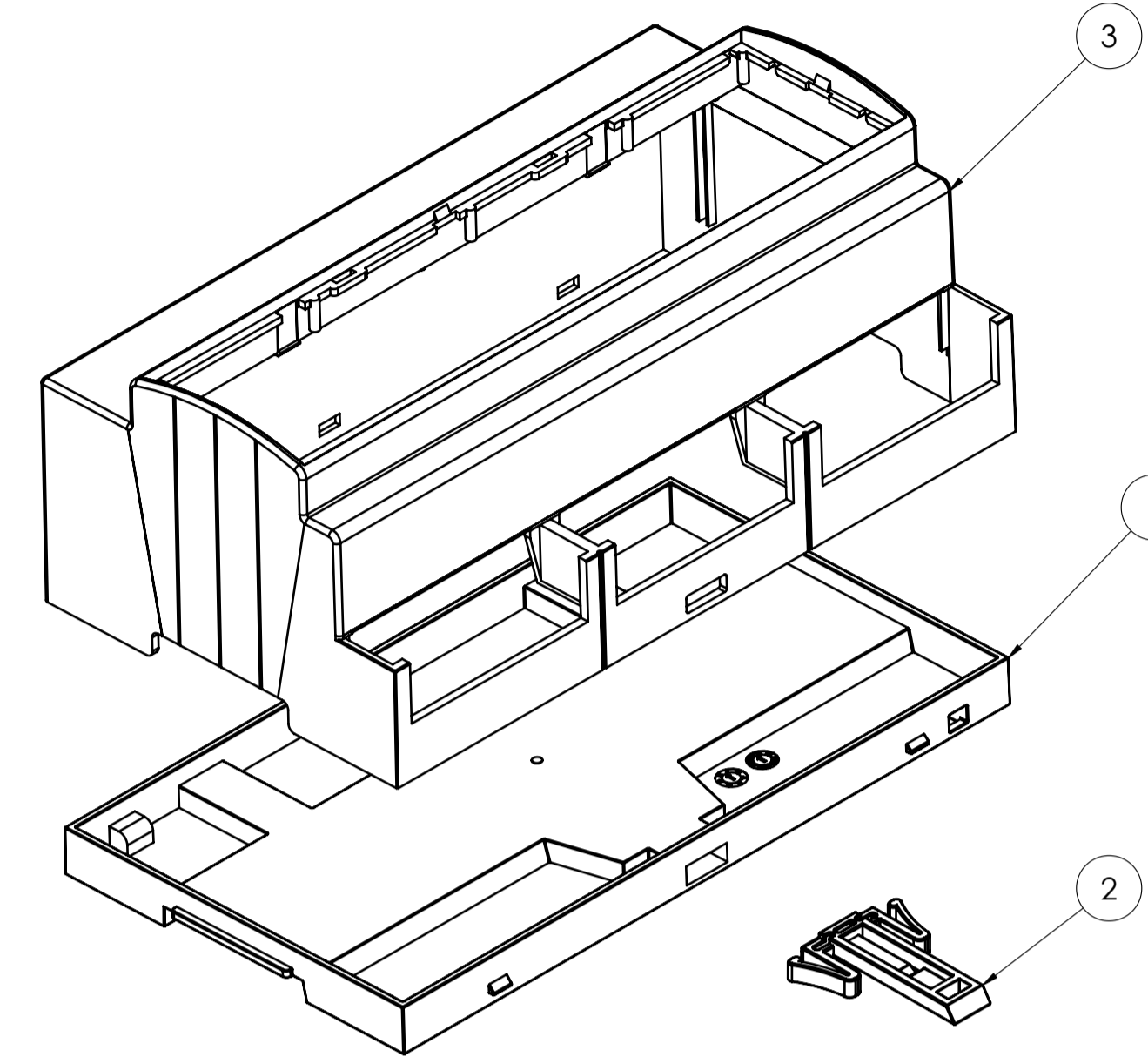


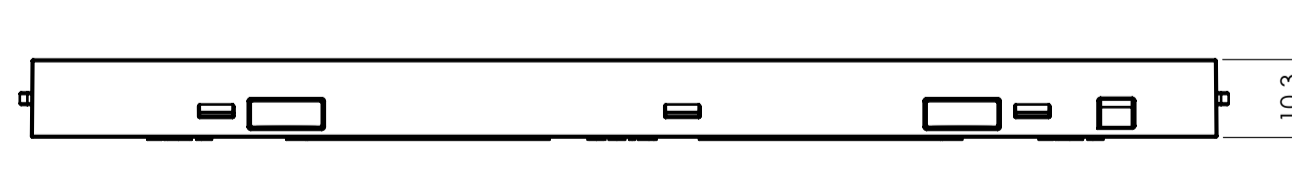
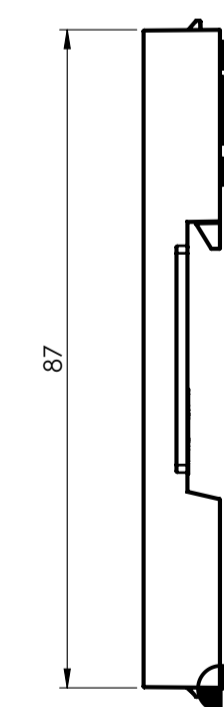
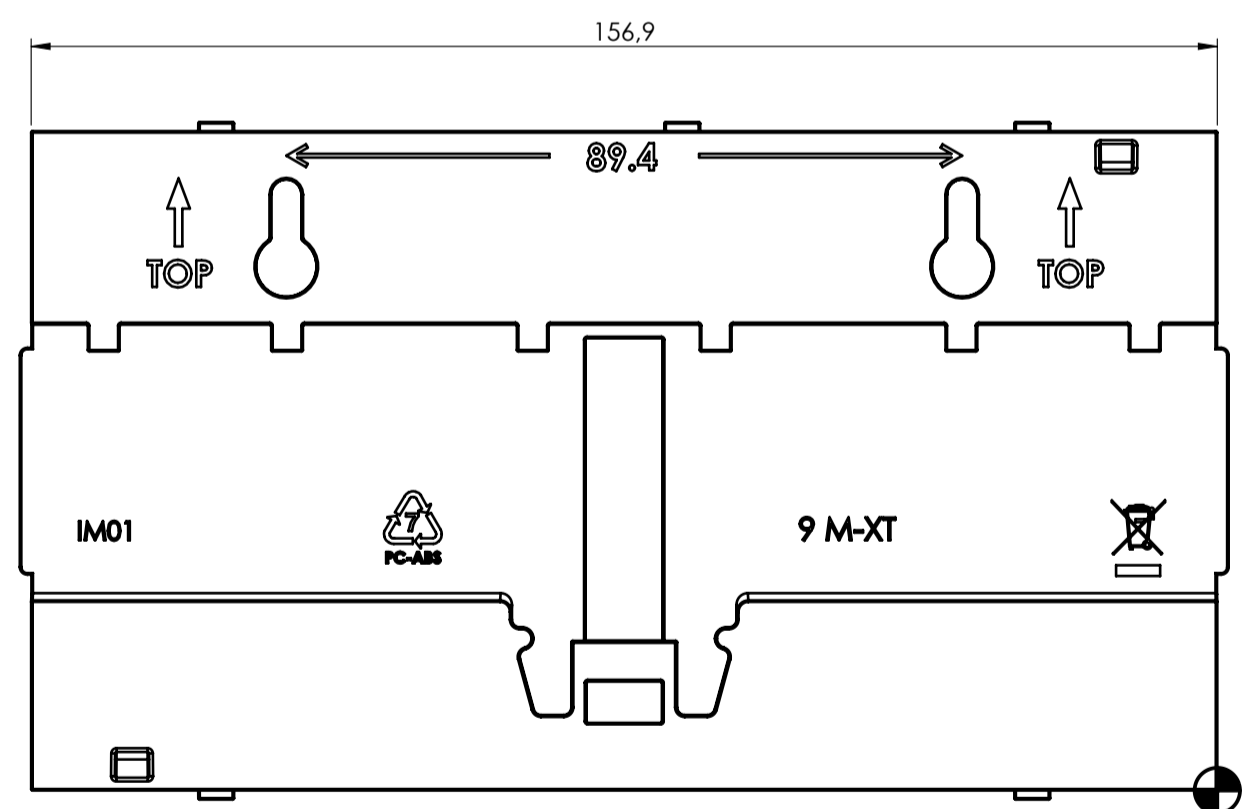
SECTION A-A



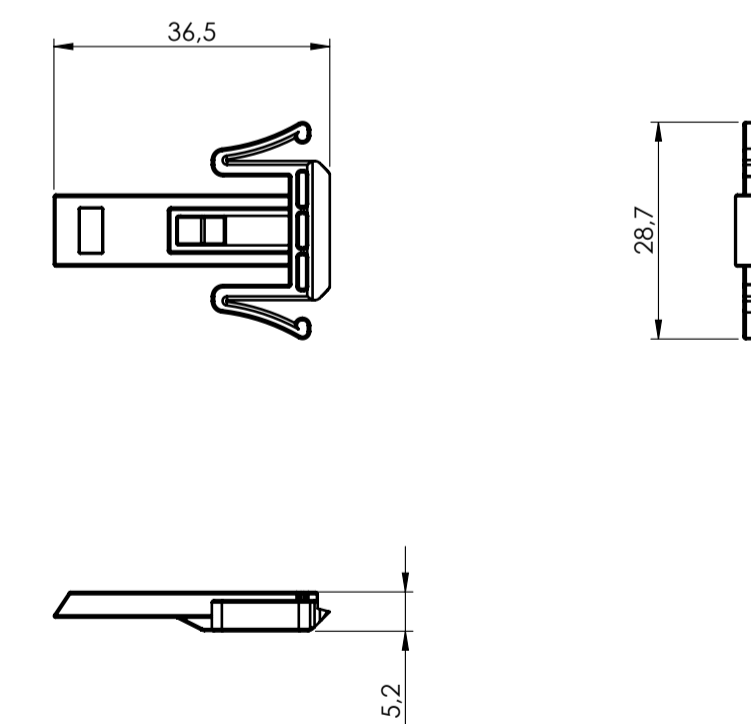
BODY ENCLOSURE



BASE



HOOK



General information:
 • Workpiece zero point for mechanical processing
 - Minimum recommended radius for machining = R1.0 mm
 - Mounting rail like EN 60715: TH 35-7.5 or TH 35-15
 - Recommended PCB outline on www.italtronic.com

RIF.	Q.TY	DRAWING	DESCRIPTION
1	1	2_250_00086	BASE 9M MODULBOX XT-XTS
2	1	2_250_00072	HOOK FOR MODULBOX XT-XTS
3	1	2_250_03668	BODY MODULBOX 9MH53-B XTS

Sheet: 1

Scale: 1:1

Drawn: R.N. Checked: 05/05/2023 Date: 05/05/2023 Material: gr Process: --

Dimension in mm

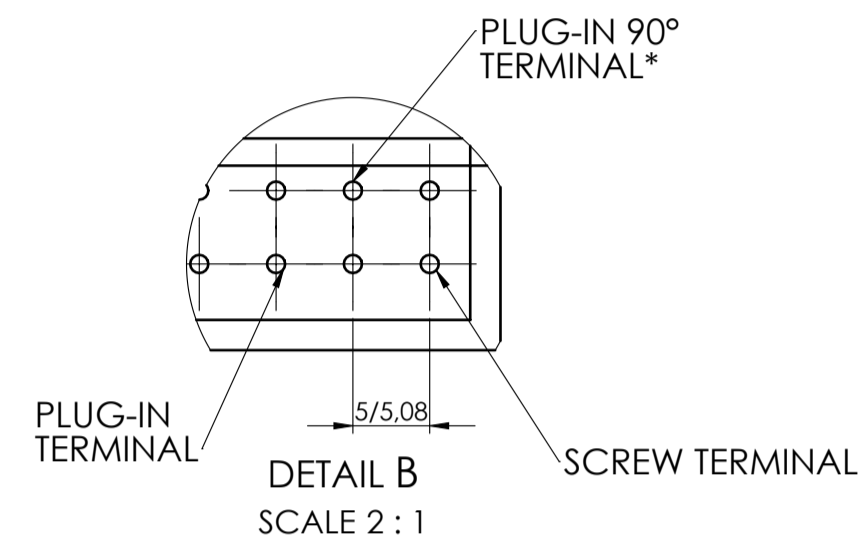
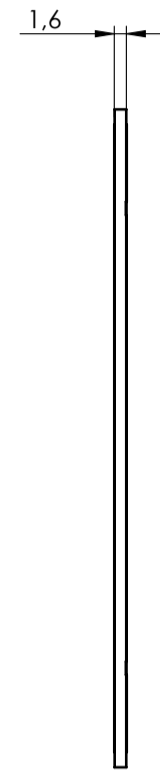
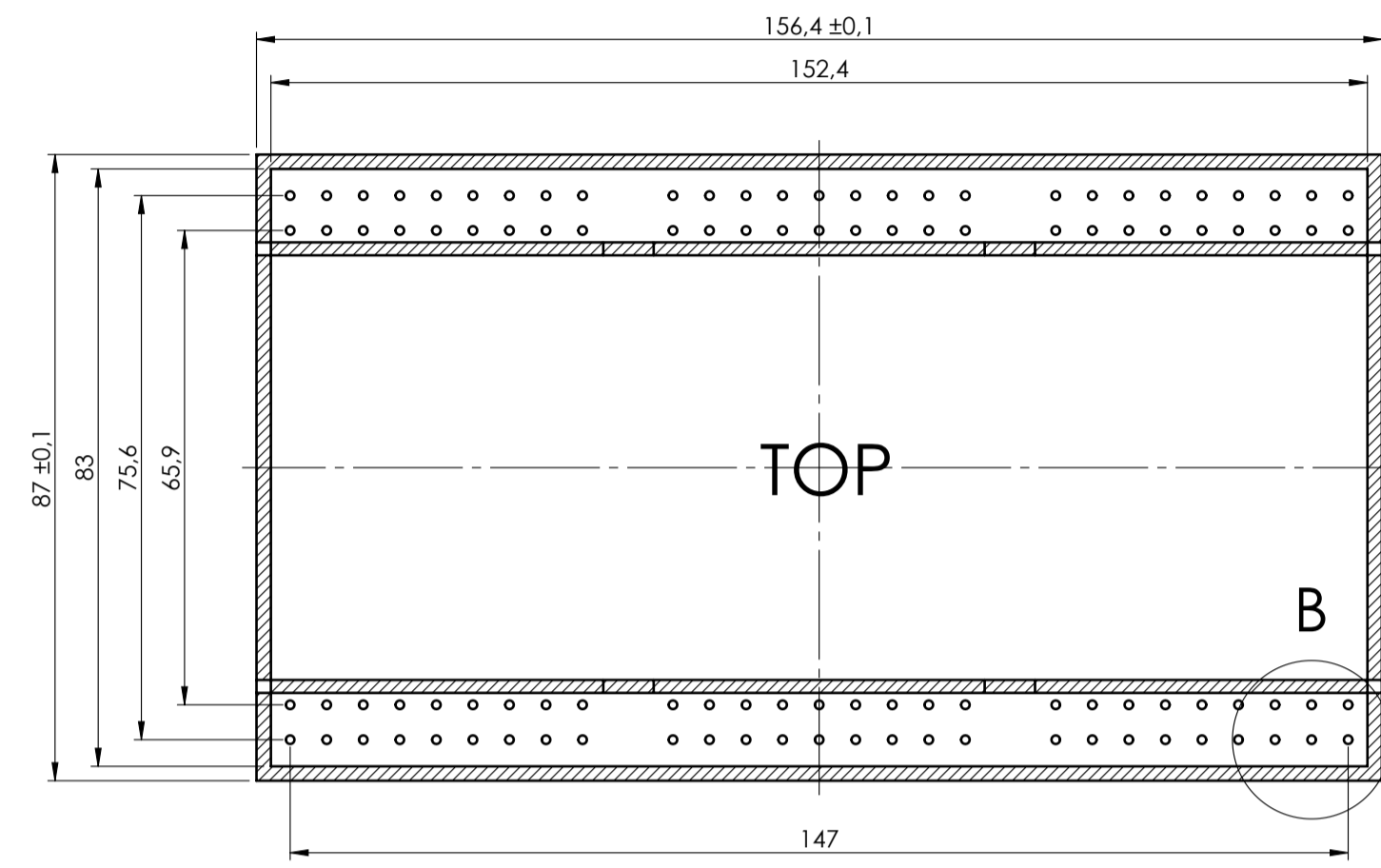
italtronic
enclosures for electronics
italtronic.com

Description:
KIT CONTENITORE MODULBOX XTS 9MH53-B
KIT ENCLOSURE MODULBOX XTS 9MH53-B
Drawing n°: 3_250_00108

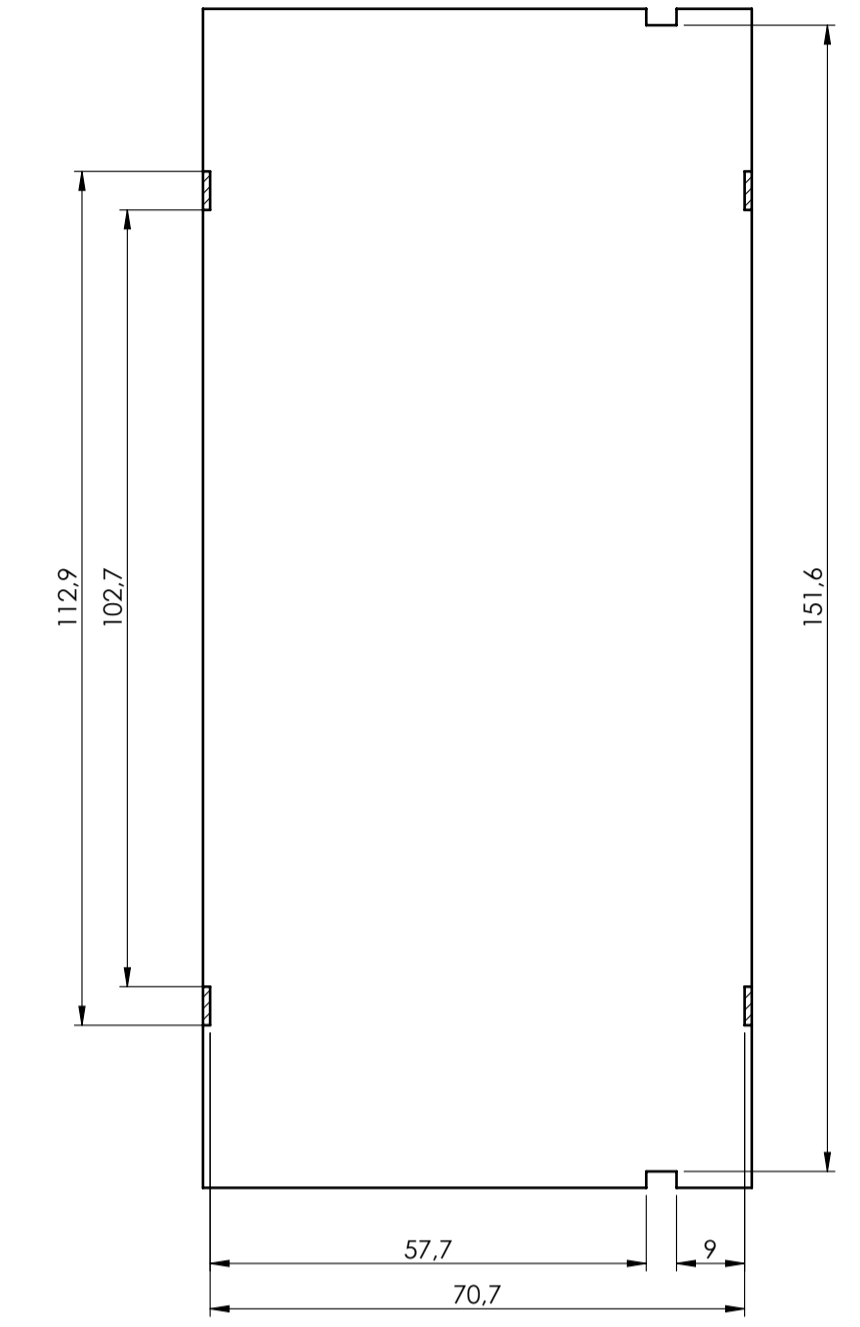
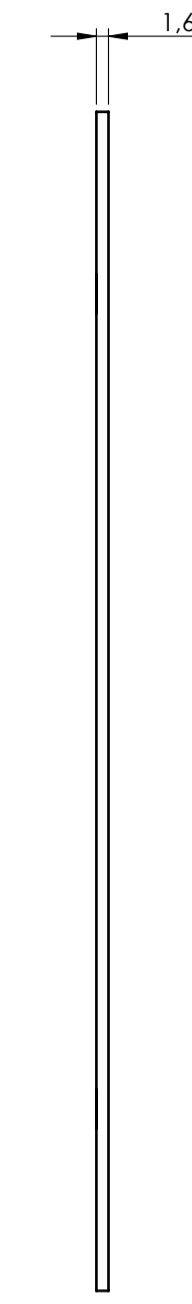
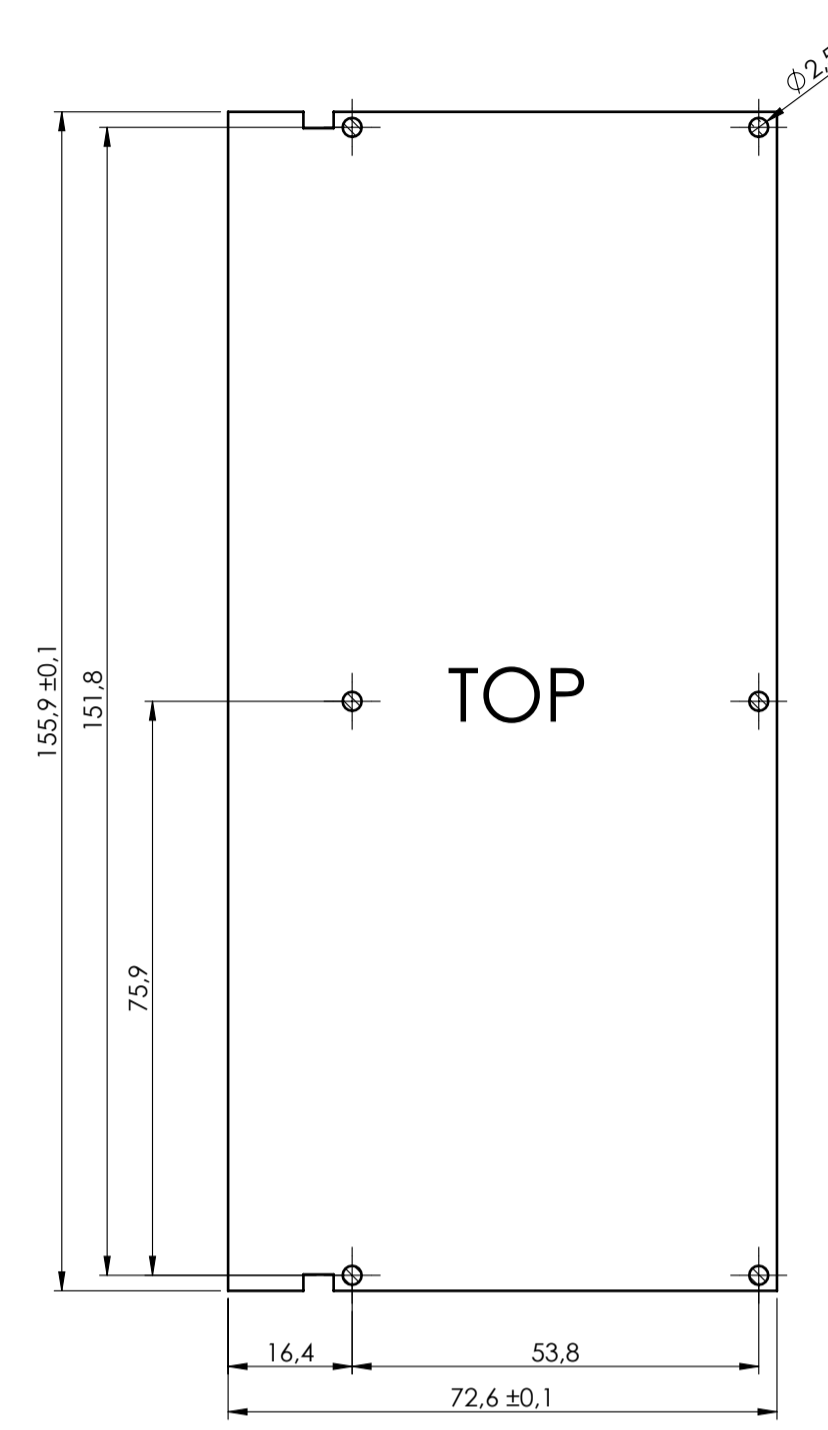
Rev.: - A1

PCB A

Max height of the terminal:
Modulbox XT/XTS: 18,5 mm
Modulbox ONE: 20 mm

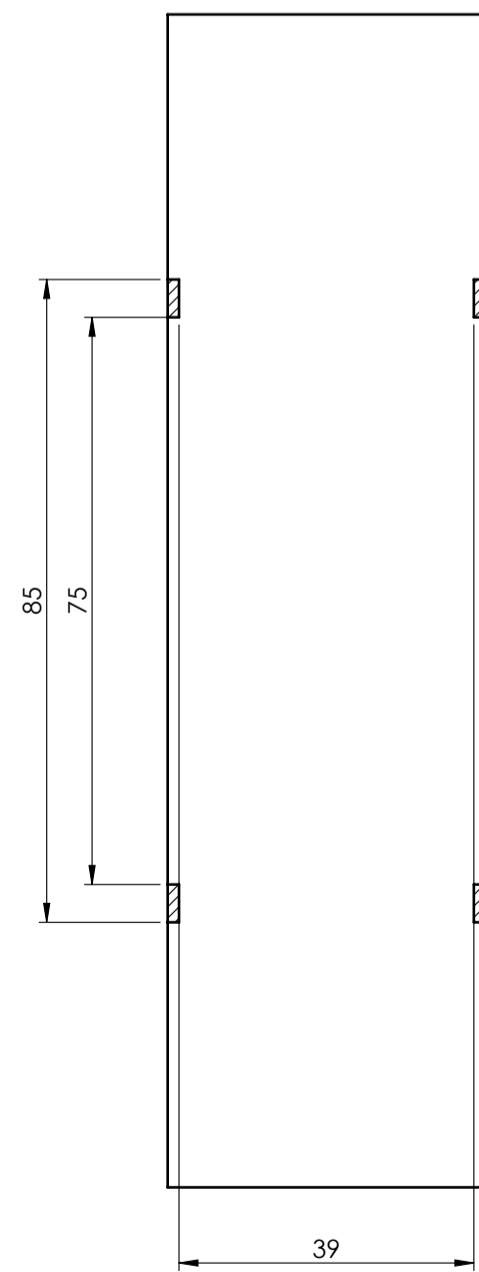
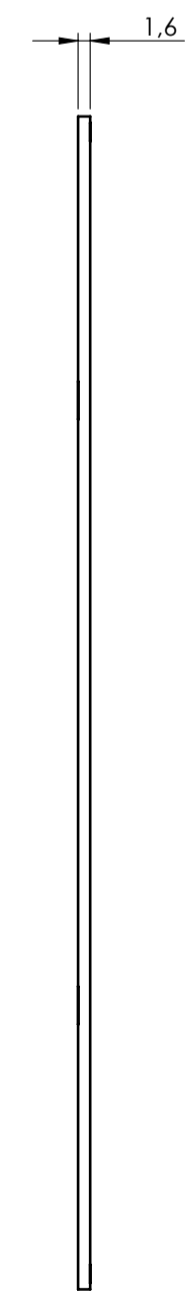
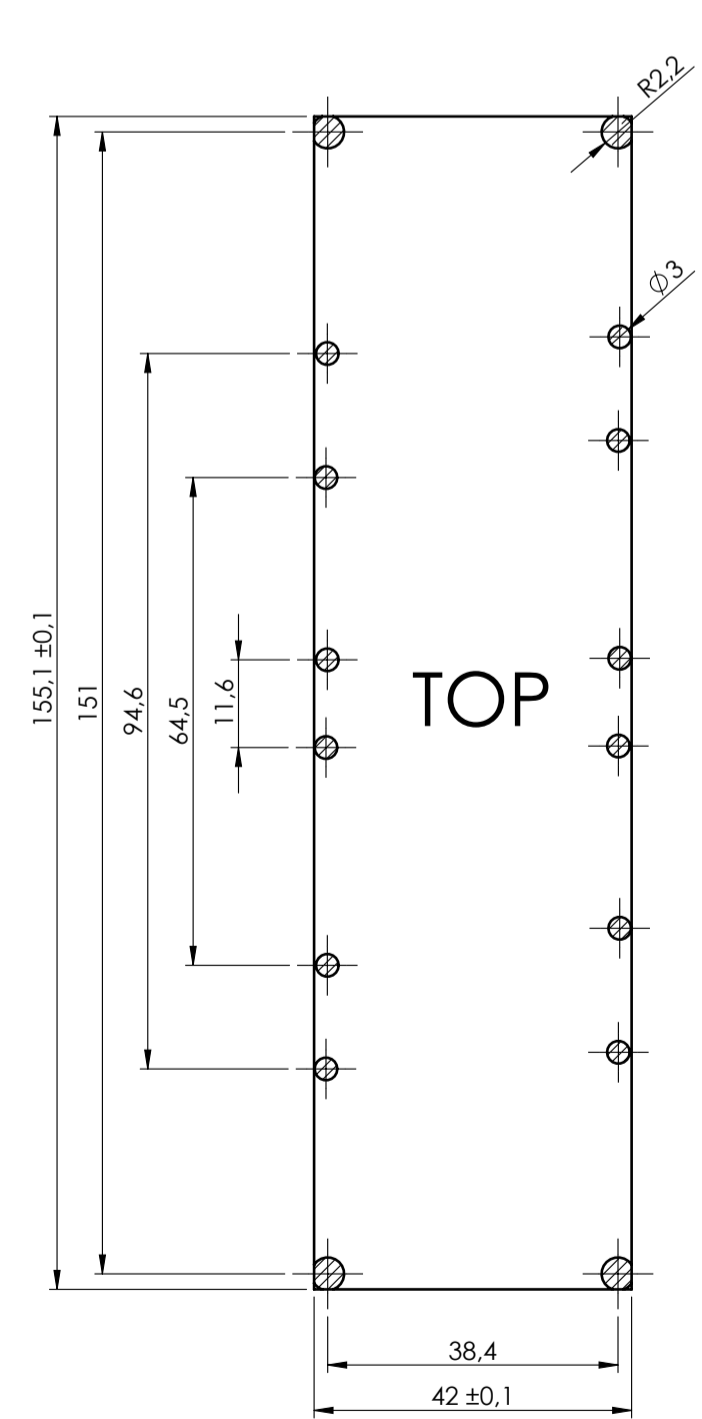


PCB B

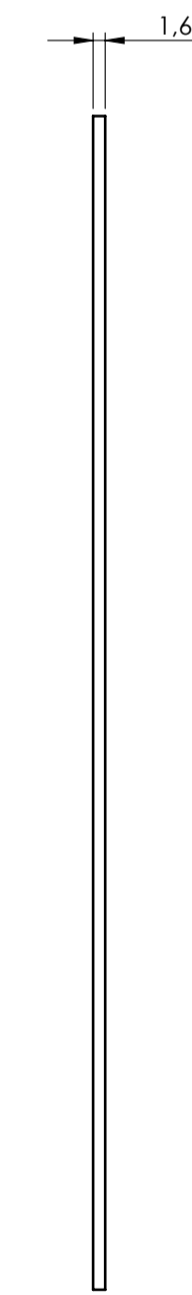
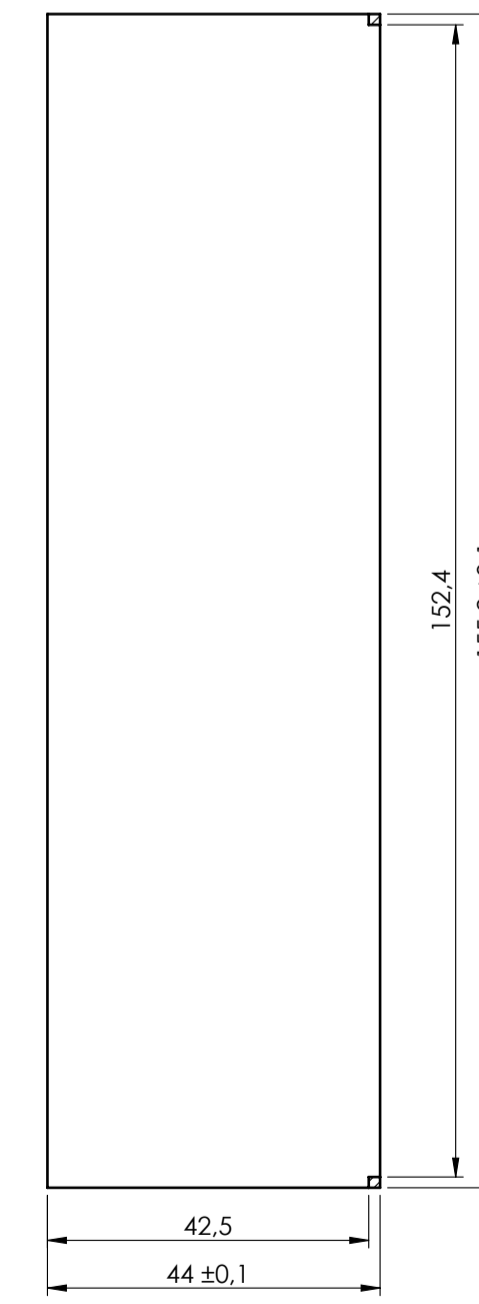


*To use the PLUG-IN terminals in Modulbox ONE use plug-in adapter P05000003E (5/5.08 pitch) and P05000004E (7.5/7.62 pitch)

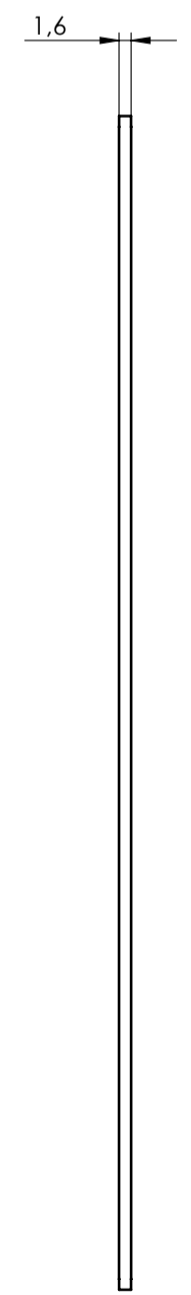
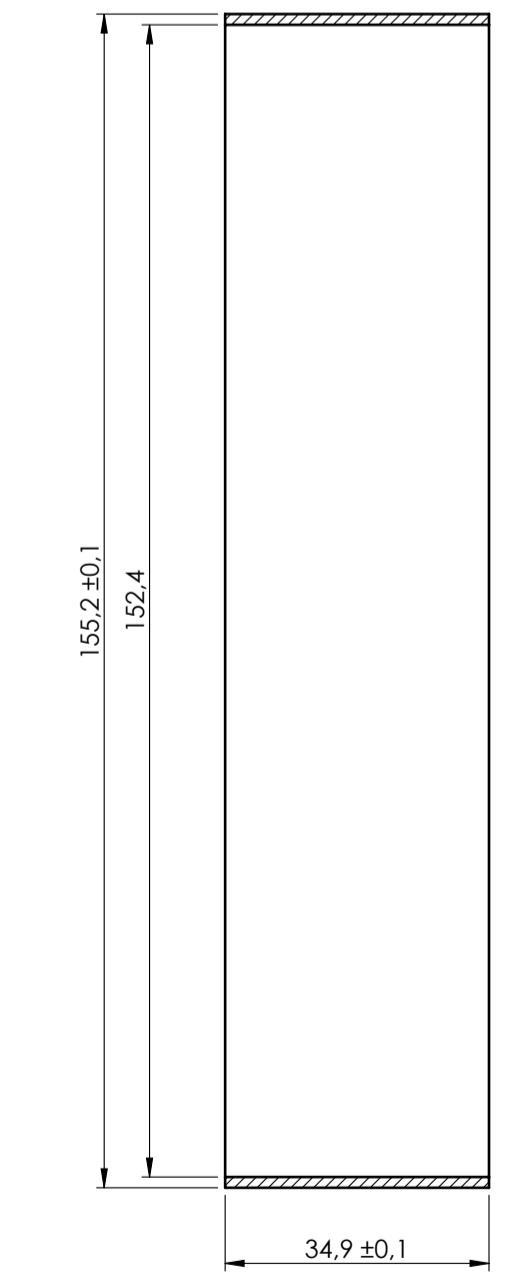
PCB C



PCB V2



PCB V2



General Tolerance UNE EN 22768/1 Medio (m)				Sheet:	
from 0.5 to 3 ± 0.1	from 3 to 6 ± 0.1	from 6 to 30 ± 0.2	from 30 to 120 ± 0.3	from 120 to 400 ± 0.5	PCB
Scale:	Drawn:	Checked:	Date:	Material:	Process:
1:1		R.N.	05/05/2023		
Dimension in mm	The owner reserves the right to modify the product without notice. The user must refer to the latest version of the drawing. It is the user's responsibility to verify the dimensions of the product.		Derived from:	Weight:	Cod. Mold:
				gr	--
Description:			KIT CONTENITORE MODULBOX XTS 9MH53-B		
KIT ENCLOSURE MODULBOX XTS 9MH53-B			Drawing nr:		
italtronic			3_250_00108		
enclosures for electronics			Rev:		
italtronic.com			1		

NO COMPONENTS AREA

A1