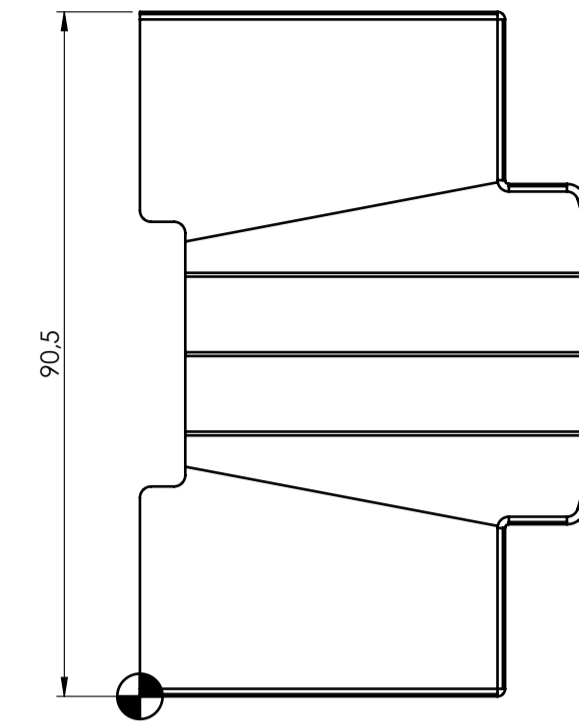
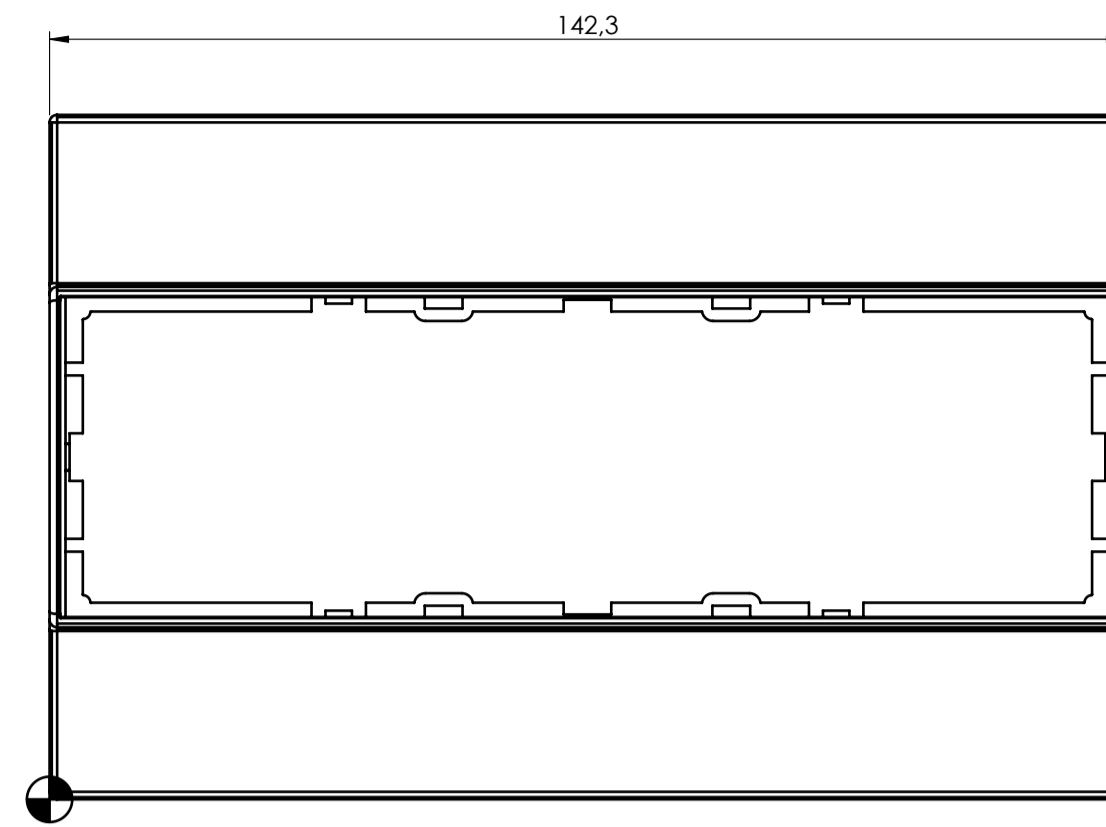
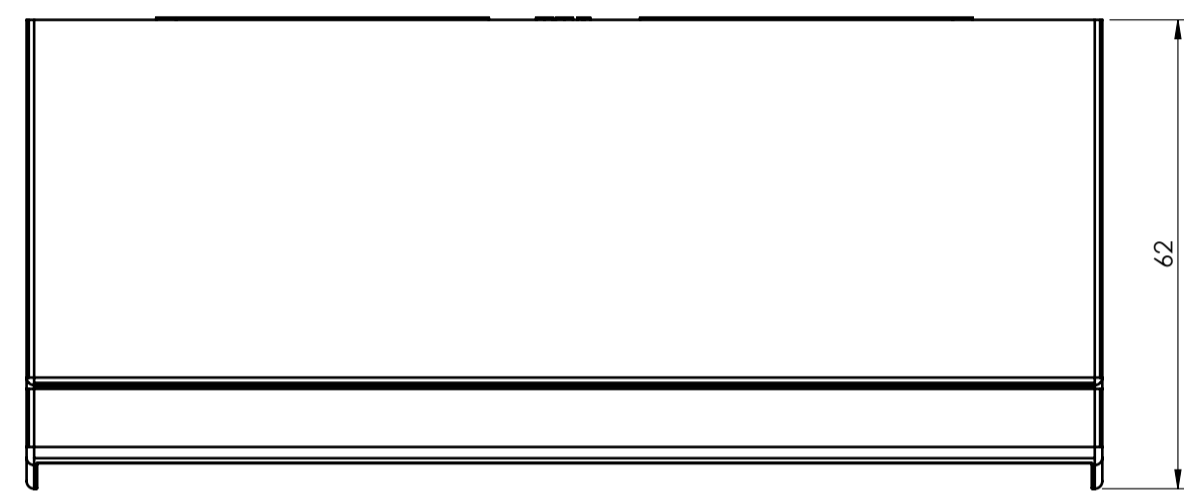
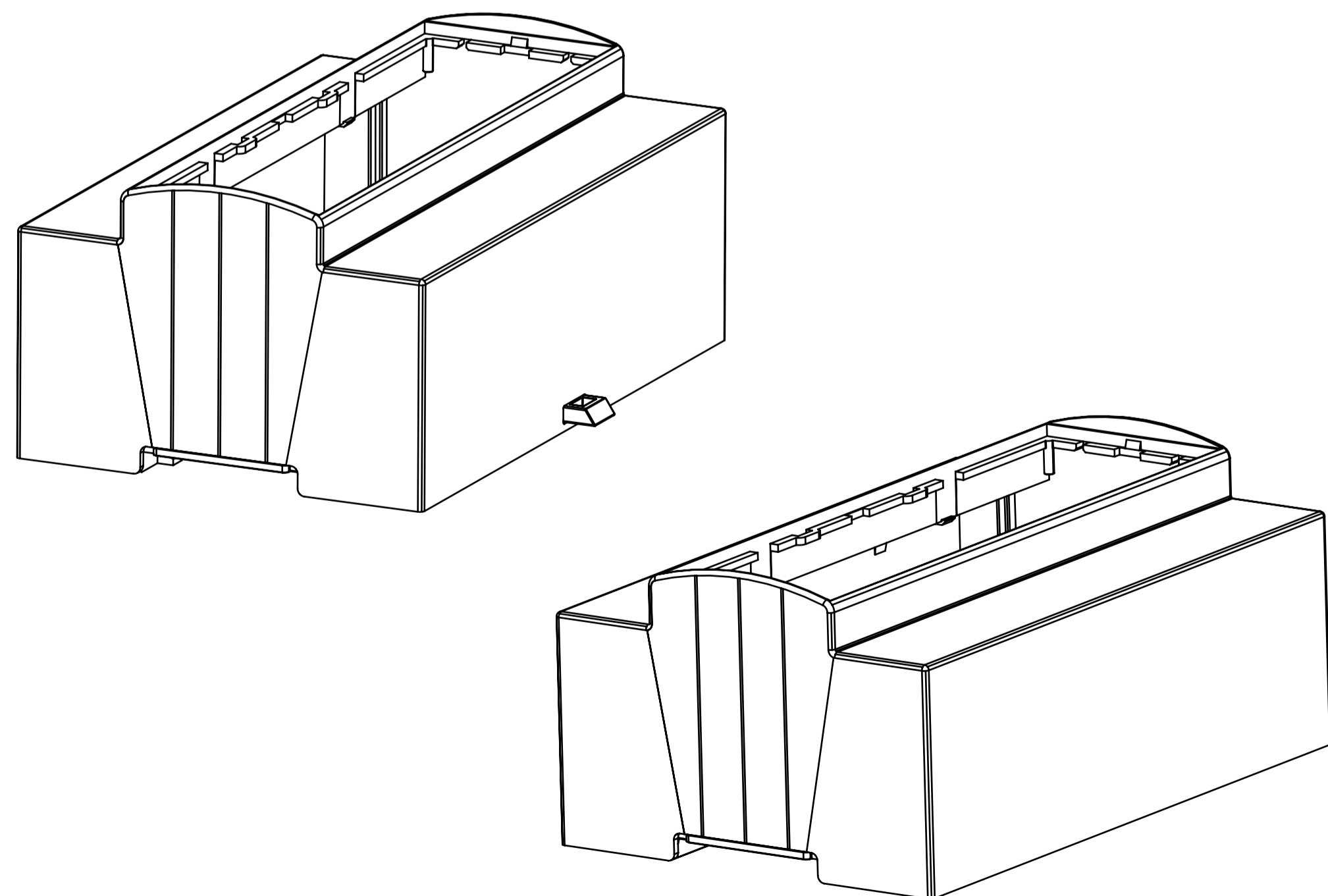
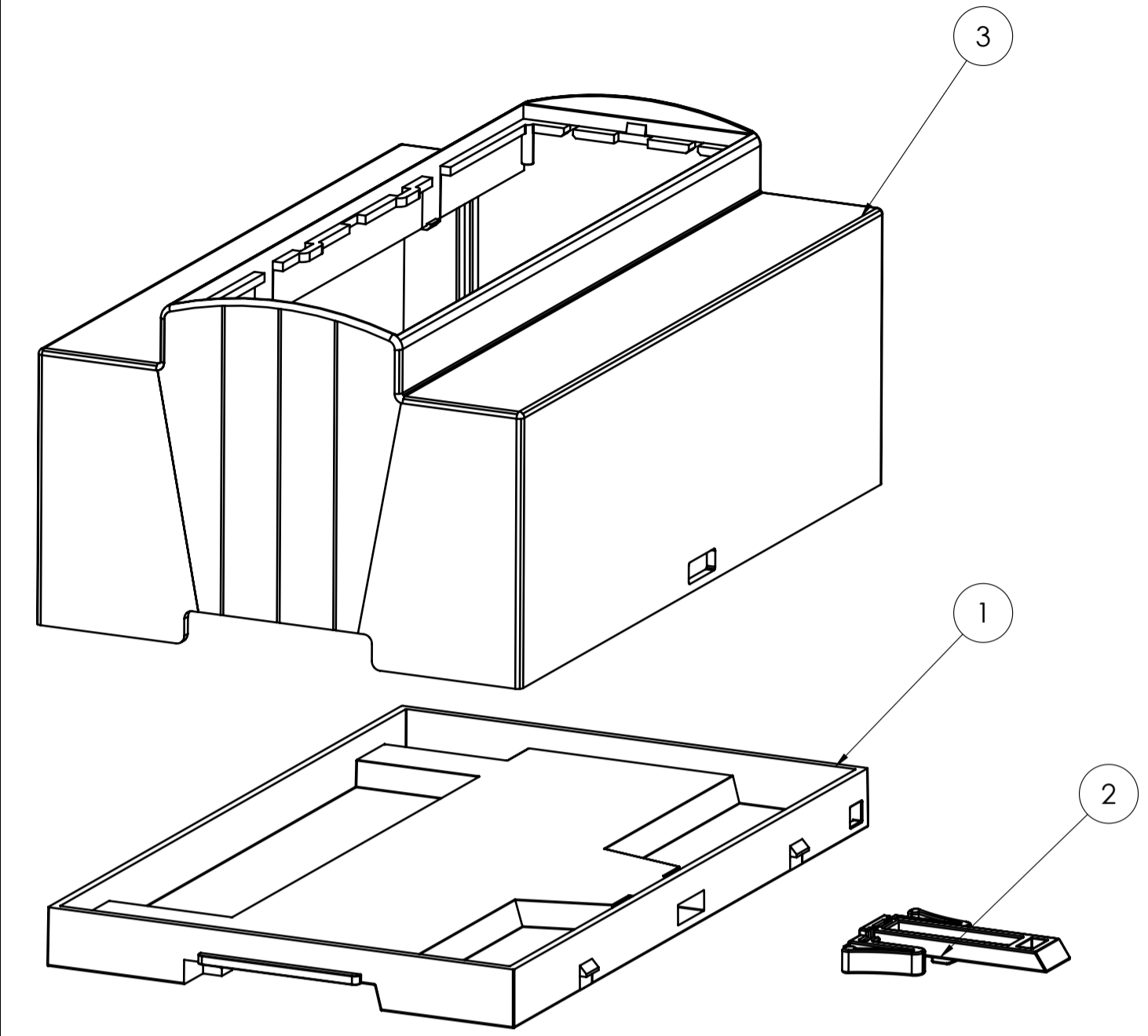


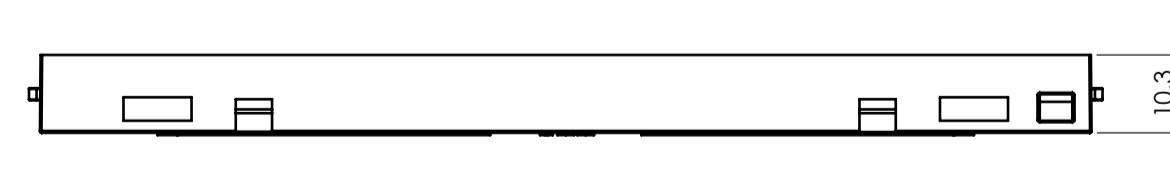
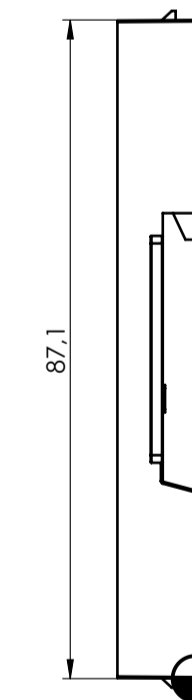
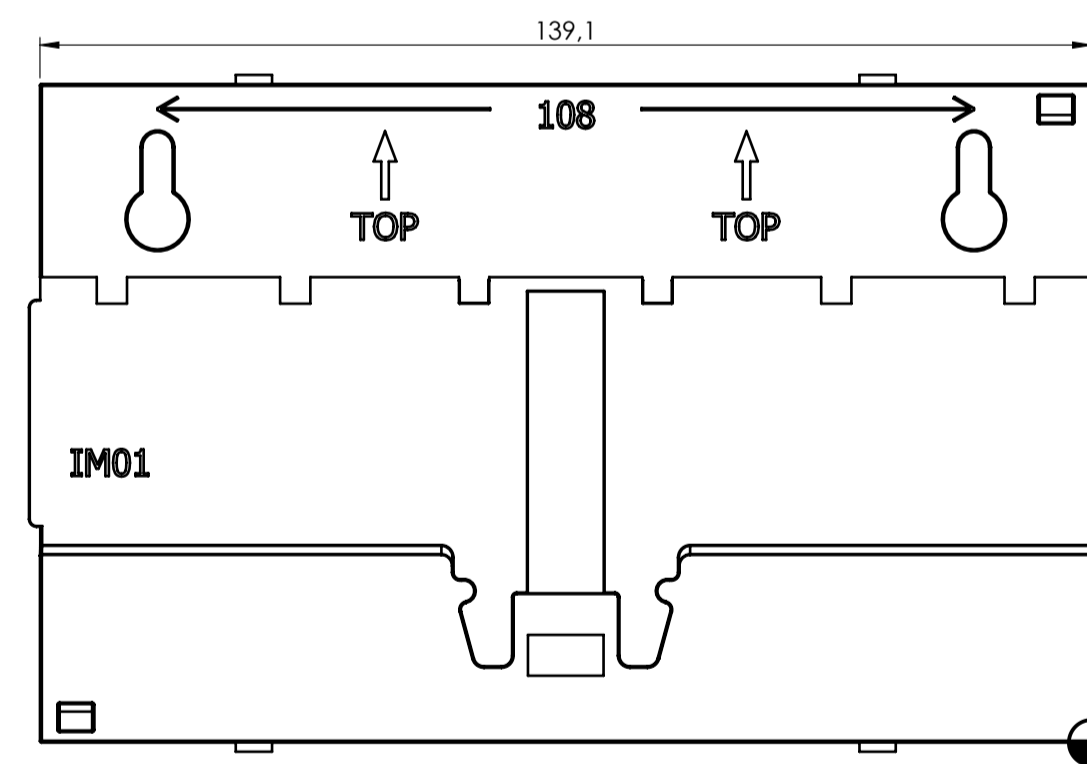
SECTION A-A



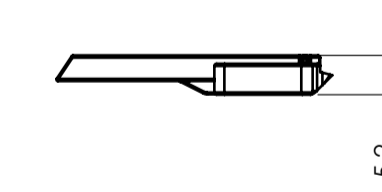
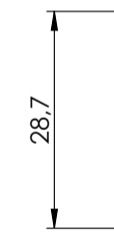
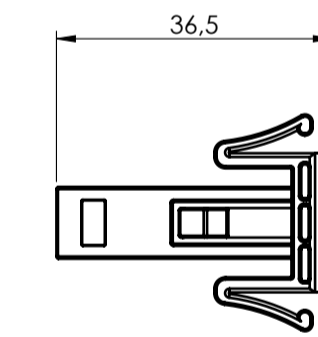
BODY ENCLOSURE



BASE



HOOK



General information:
 - Workpiece zero point for mechanical processing
 - Minimum recommended radius for machining = R1.0 mm
 - Mounting rail like EN 60715; TH 35-7.5 or TH 35-15
 - Recommended PCB outline on www.italtronic.com

RIF.	Q.TY	DRAWING	DESCRIPTION
1	1	2_250_03649	BASE MODULBOX XT/XTS - 8M
2	1	2_250_00072	HOOK FOR MODULBOX XT/XTS
3	1	2_250_03676	BODY MODULBOX XTS 8M53-C

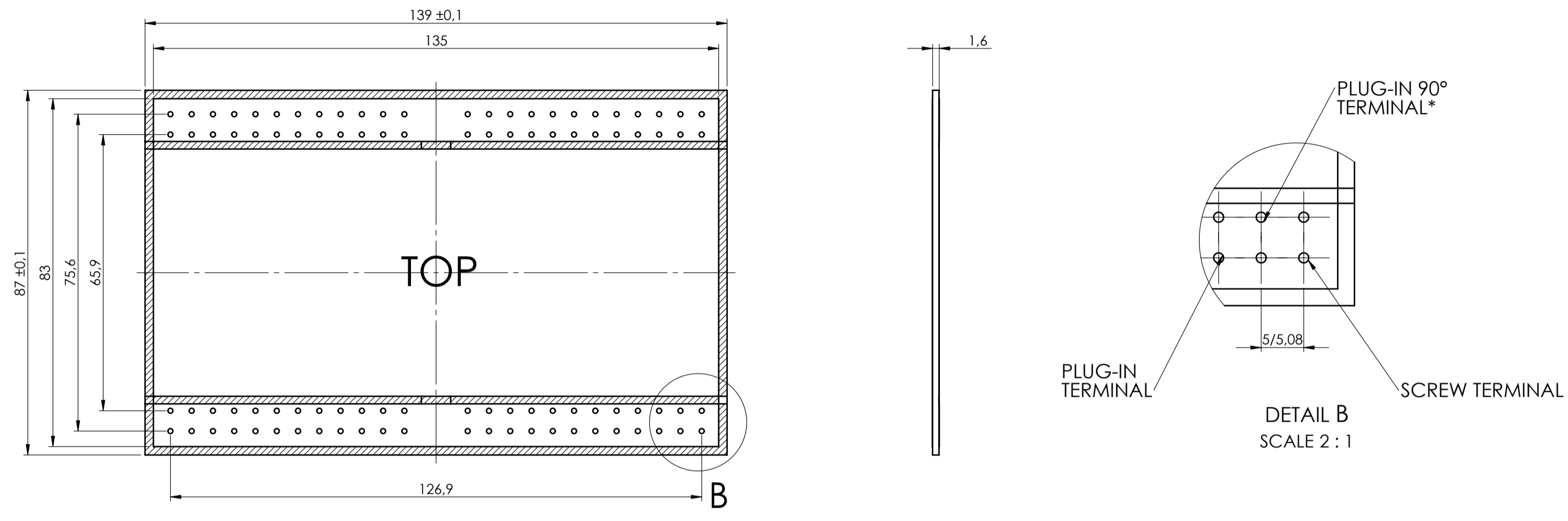
General Tolerances (UNE EN 22768/1 Medio [mm])			
from 0.5 to 3	from 3 to 6	from 6 to 30	from 30 to 120
± 0.1	± 0.1	± 0.2	± 0.3

Scale:	1:1	Drawn:	R.N.	Checked:	17/05/2023	Date:	17/05/2023	Material:	gr	Weight:	--	Cod. Mod:	--
--------	-----	--------	------	----------	------------	-------	------------	-----------	----	---------	----	-----------	----

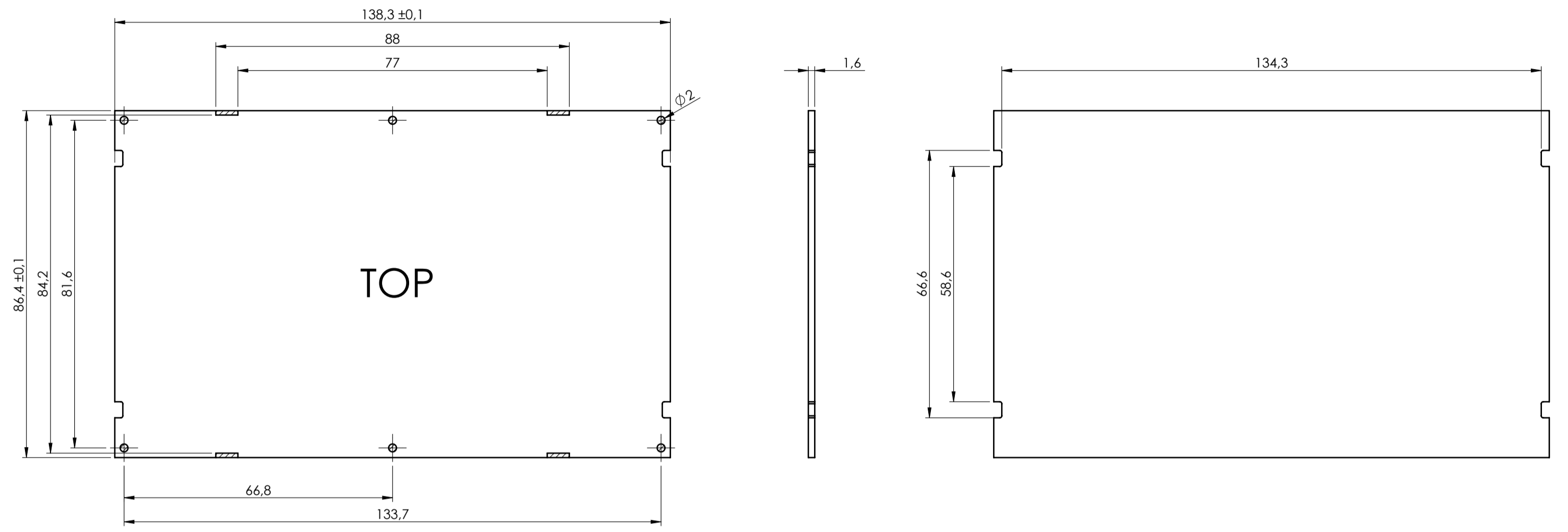
Description:		KIT CONTENITORE MODULBOX XTS 8M53-C	
KIT ENCLOSURE MODULBOX XTS 8M53-C		Drawing nr:	
3_250_00116		Rev:	
00		A1	

PCB A

Max height of the terminal:
Modulbox XT/XTS: 18,5 mm
Modulbox ONE: 20 mm

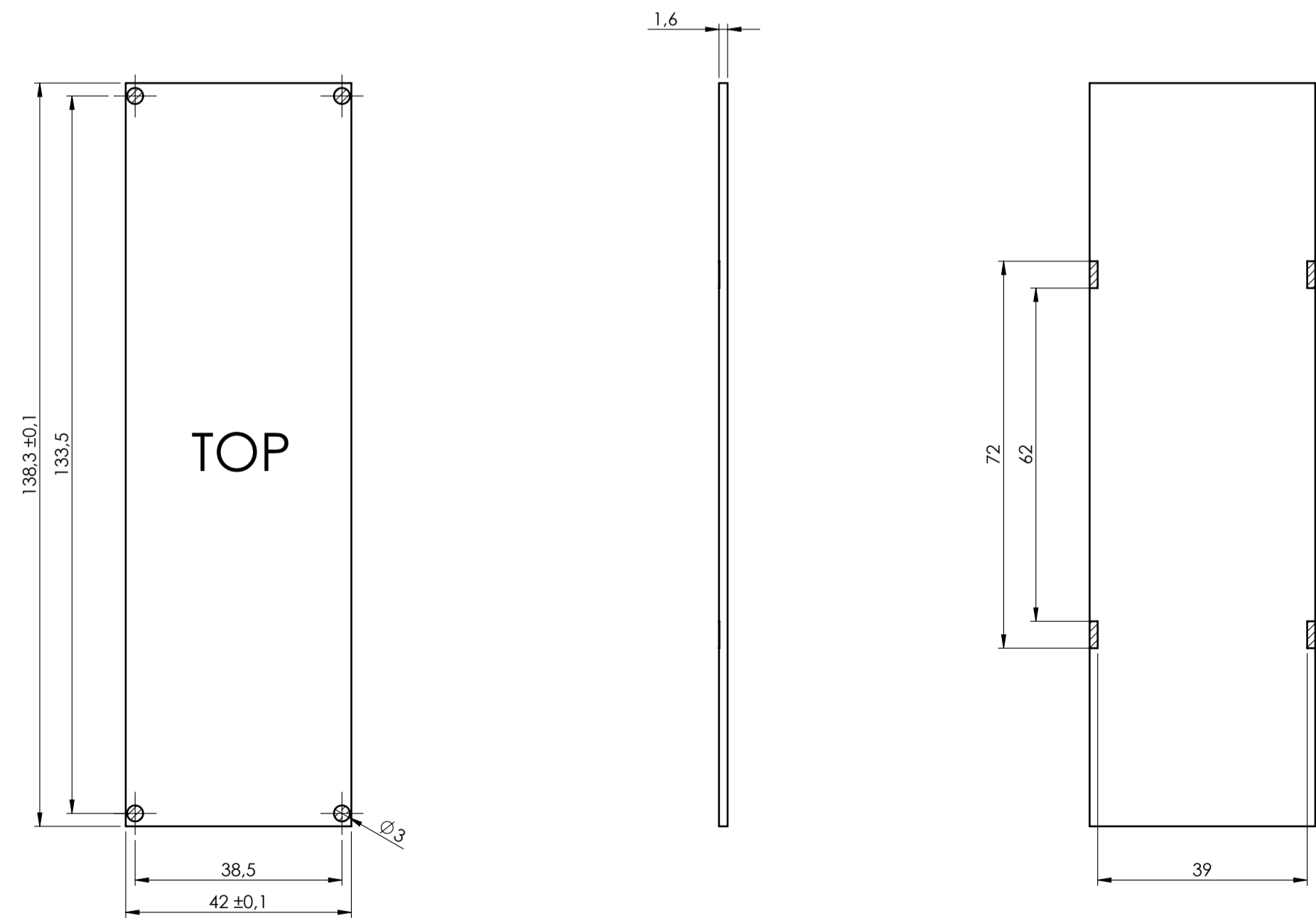


PCB B

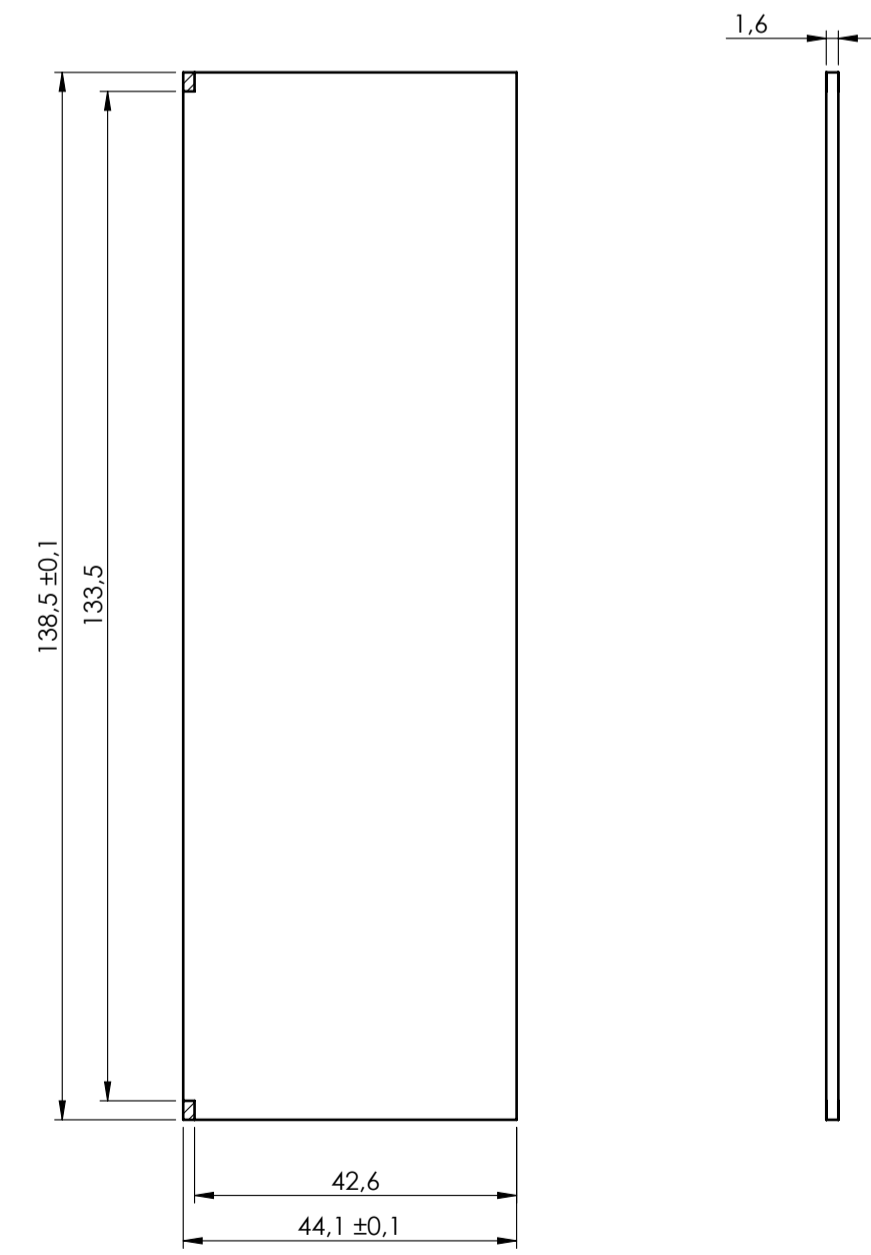


*To use the PLUG-IN terminals in Modulbox ONE use plug-in adapter P05000003E (5/5.08 pitch) and P05000004E (7.5/7.62 pitch)

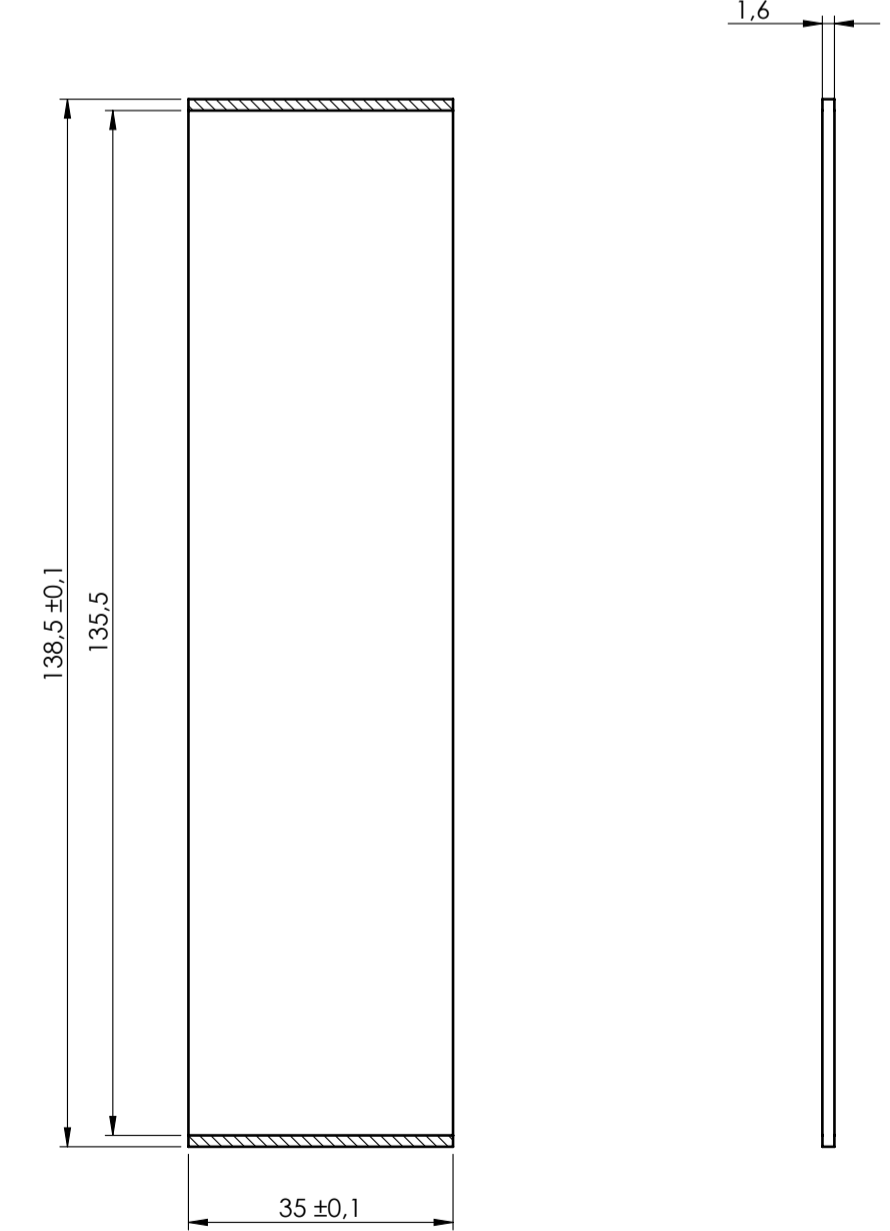
PCB C



PCB V2



PCB V1



General Tolerance UNE EN 22768/1 Media (m)				Sheet:	
from 0.5 to 3 ± 0.1	from 3 to 6 ± 0.1	from 6 to 30 ± 0.2	from 30 to 120 ± 0.3	from 120 to 400 ± 0.5	PCB
Scale:	Drawn:	Checked:	Date:	Material:	Process:
1:1		R.N.	17/05/2023		
Dimension in mm	Derived from:		Weight:	Cod. Mold:	
	Description:		gr	--	
 enclosures for electronics italtironi.com			KIT CONTENITORE MODULBOX XTS BM53-C KIT ENCLOSURE MODULBOX XTS BM53-C Drawing n°: 3_250_00116		
				Rev:	A1
				00	

NO COMPONENTS AREA