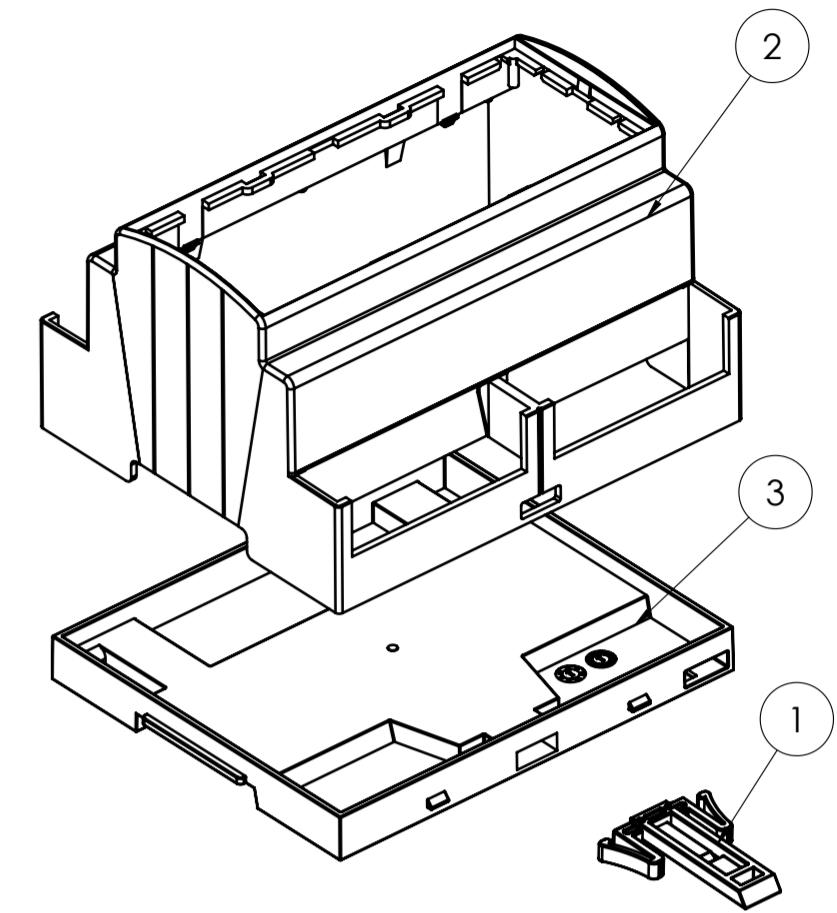
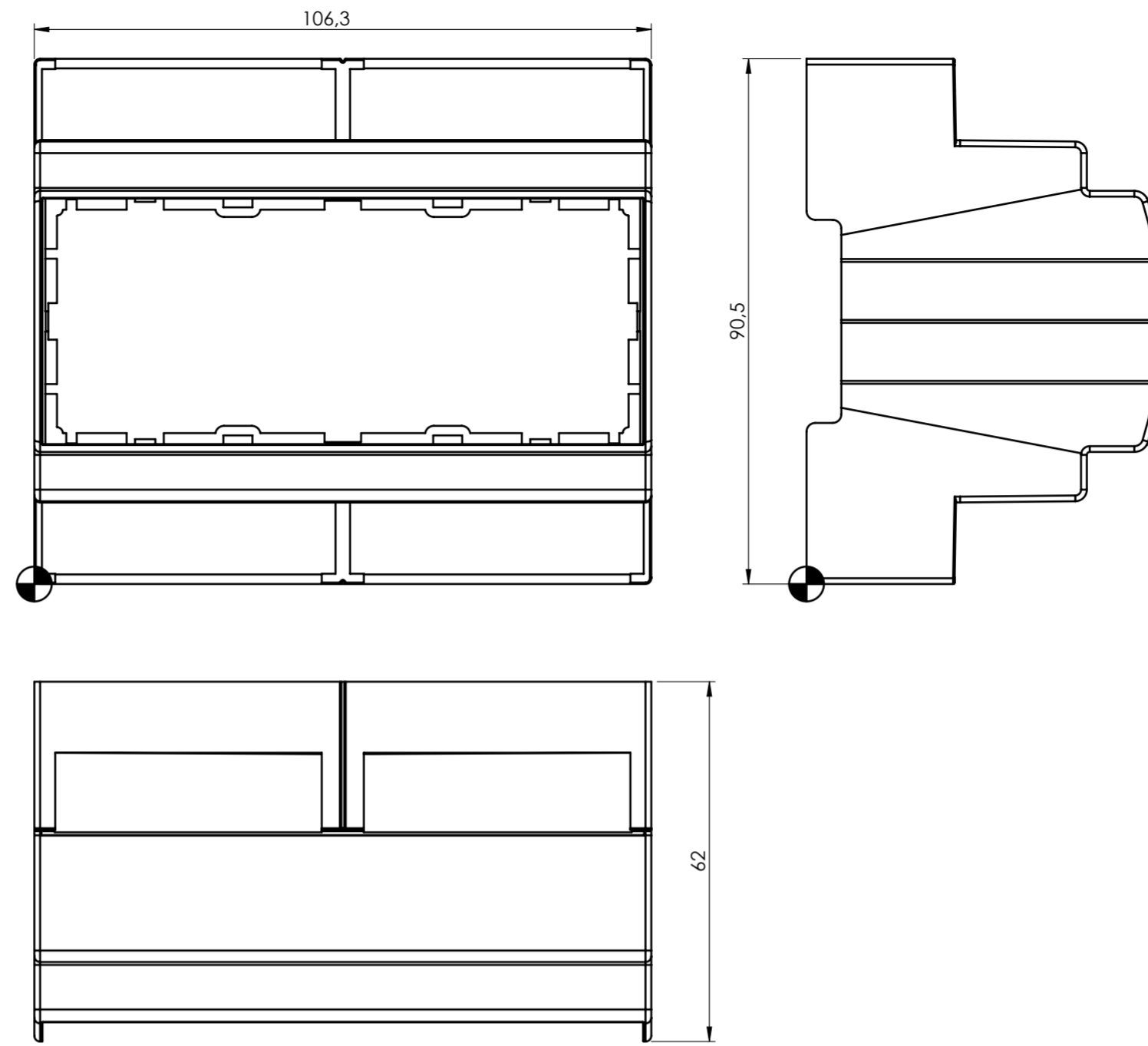
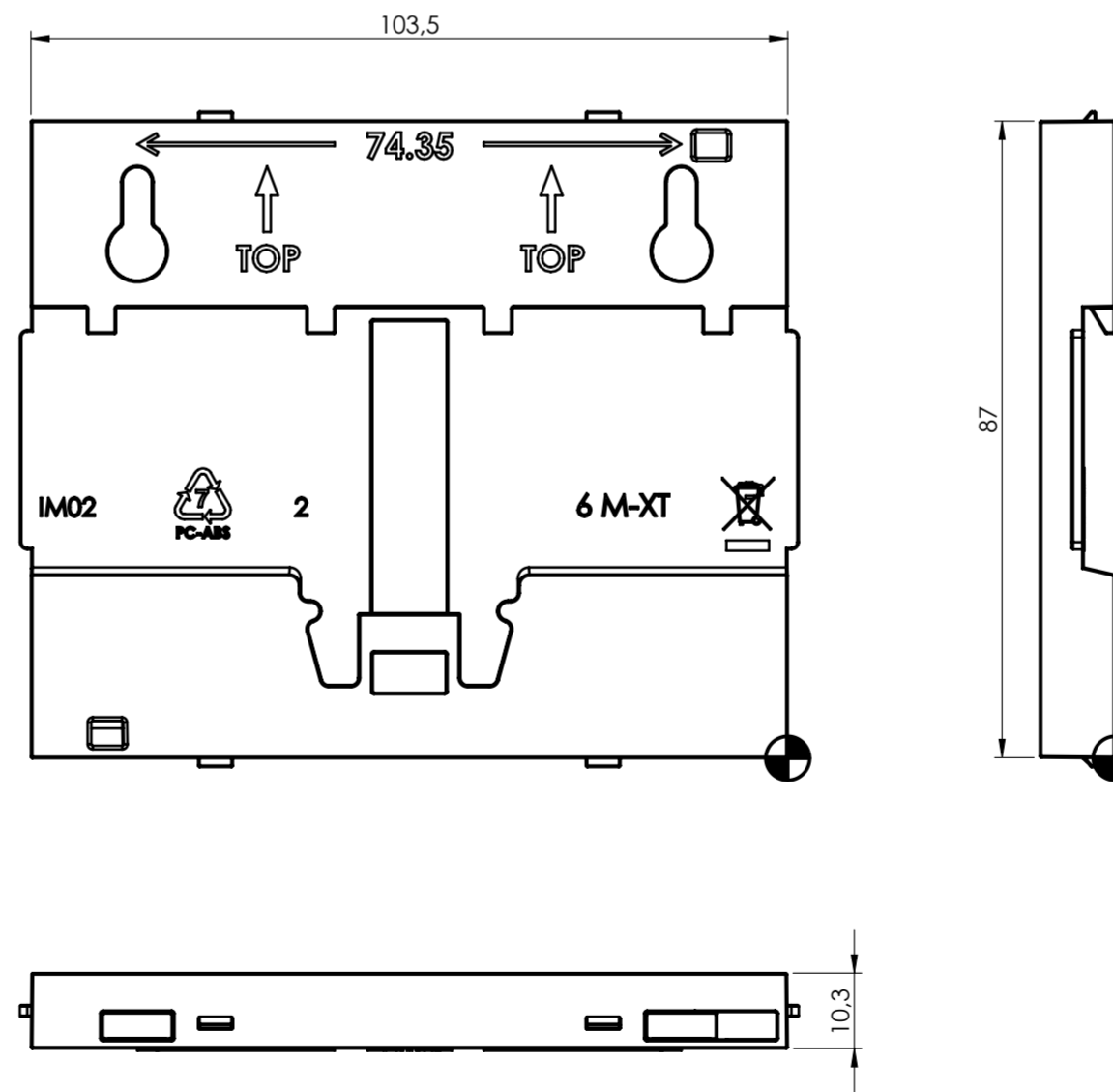


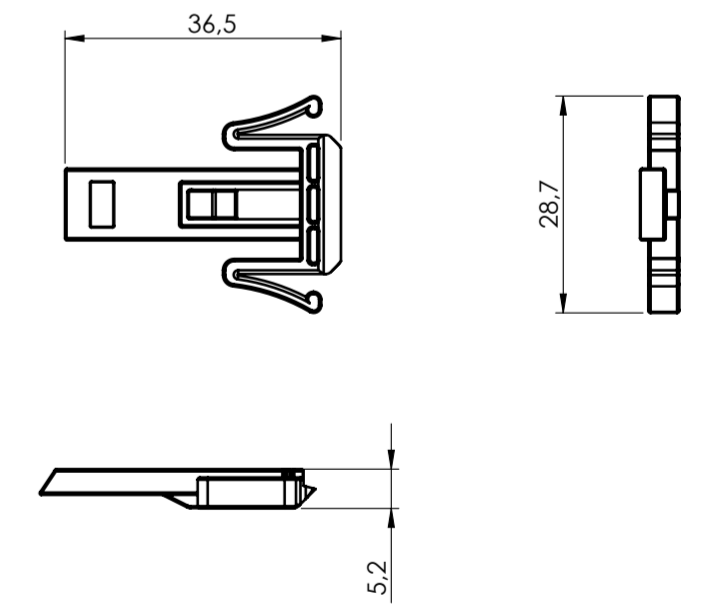
BODY ENCLOSURE



BASE



HOOK



- General information:**
- Workpiece zero point for mechanical processing
 - Minimum recommended radius for machining = R1.0 mm
 - Mounting rail like EN 60715: TH 35-7.5 or TH 35-15
 - Recommended PCB outline on www.italtronic.com

RIF.	Q.TY	DRAWING	DESCRIPTION
1	1	2_250_00072	HOOK FOR MODULBOX XT-XTS
2	1	2_250_03660	BODY MODULBOX XTS 6M53-A
3	1	2_250_00137	BASE MODULBOX XT/XTS - 6M

General Tolerance UNI EN 22768/1 Media (m)

from 0.5 to 3 ± 0.1	from 3 to 6 ± 0.1	from 6 to 30 ± 0.2	from 30 to 120 ± 0.3	from 120 to 400 ± 0.5	Sheet: 1
------------------------	----------------------	-----------------------	-------------------------	--------------------------	-------------

Scale: 1:1	IM: --	Drawn: --	Checked: R.N.	Date: 02/05/2023	Material: --	Process: --
------------	--------	-----------	---------------	------------------	--------------	-------------

Replaces the: M-04103-01	Derived from: --	Weight: gr	Cod. Mold: --
--------------------------	------------------	------------	---------------

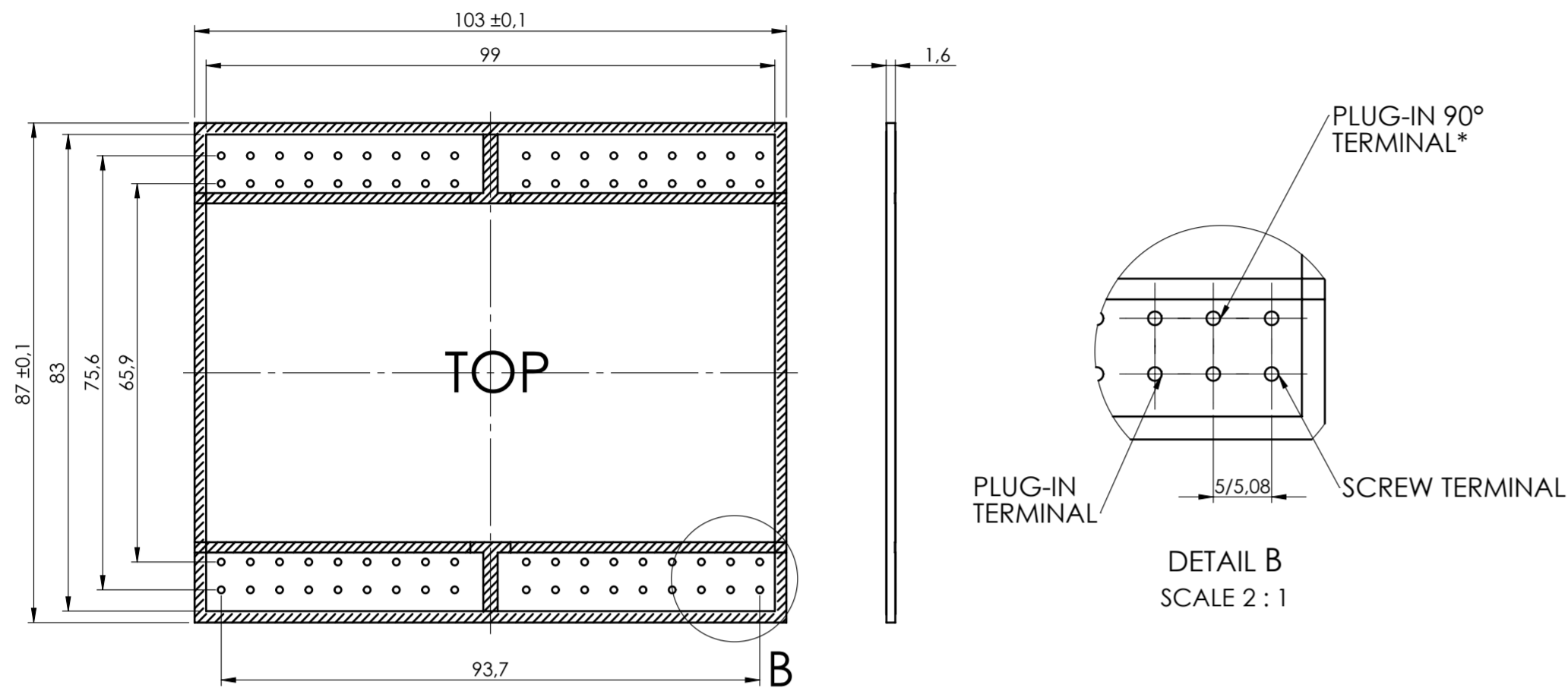
italtronic
 enclosures for electronics
italtronic.com

Description:
 KIT CONTENITORE MODULBOX XTS 6M53-A
 KIT ENCLOSURE MODULBOX XTS 6M53-A
 Drawing nr.: **3_250_00094**

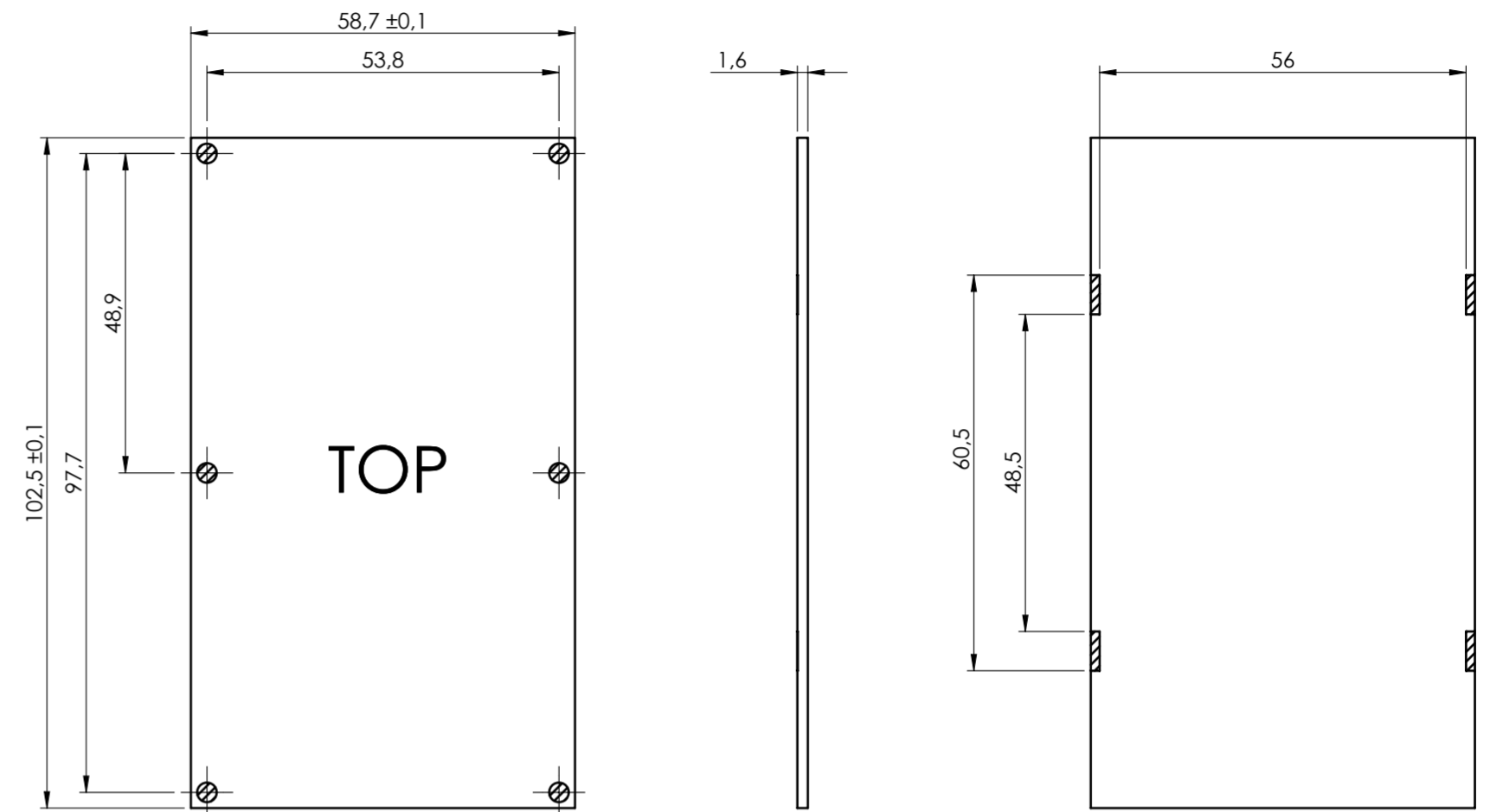
Rev.: --
 A2

PCB A

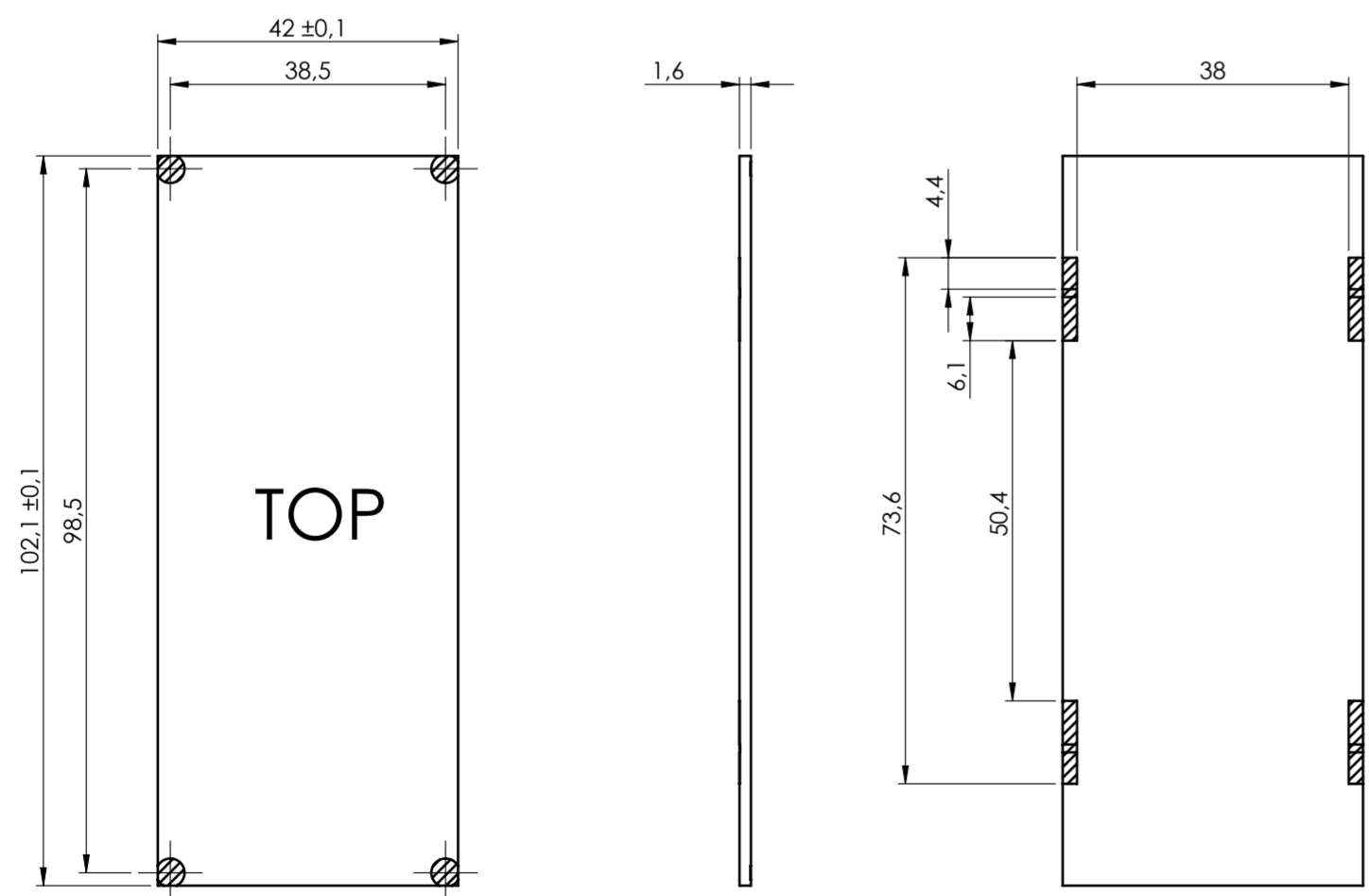
Max height of the terminal:
 Modulbox XT/XTS: 18.5 mm
 Modulbox ONE: 20 mm



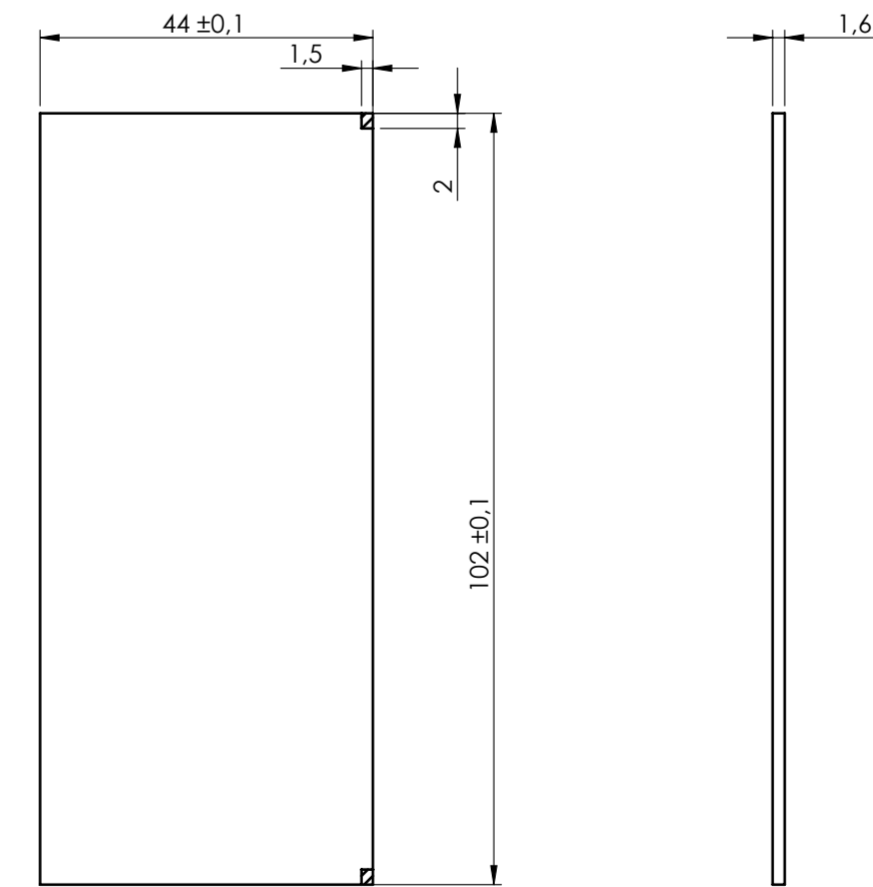
PCB B



PCB C



PCB V2



NO COMPONENTS AREA

General Tolerance UNI EN 22768/1 Media (m)					Sheet:
from 0.5 to 3 ± 0.1	from 3 to 6 ± 0.1	from 6 to 30 ± 0.2	from 30 to 120 ± 0.3	from 120 to 400 ± 0.5	PCB
Scale: 1:1	IM: --	Drawn: --	Checked: R.N.	Date: 02/05/2023	Process:
Dimension in mm		Replaces the: M-04103-01	Derived from:	Weight: gr	Cod. Mold: --
 enclosures for electronics italtronic.com		Description: KIT CONTENITORE MODULBOX XTS 6MS3-A KIT ENCLOSURE MODULBOX XTS 6MS3-A Drawing nr.: 3_250_00094			Rev.: -
					A2

*To use the PLUG-IN terminals in Modulbox ONE use plug-in adapter P05000003E (5/5.08 pitch) and P05000004E (7.5/7.62 pitch)