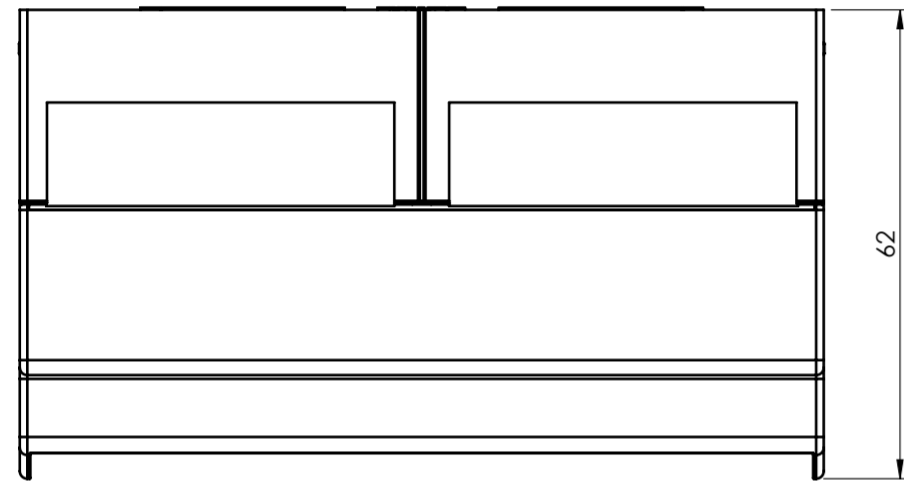
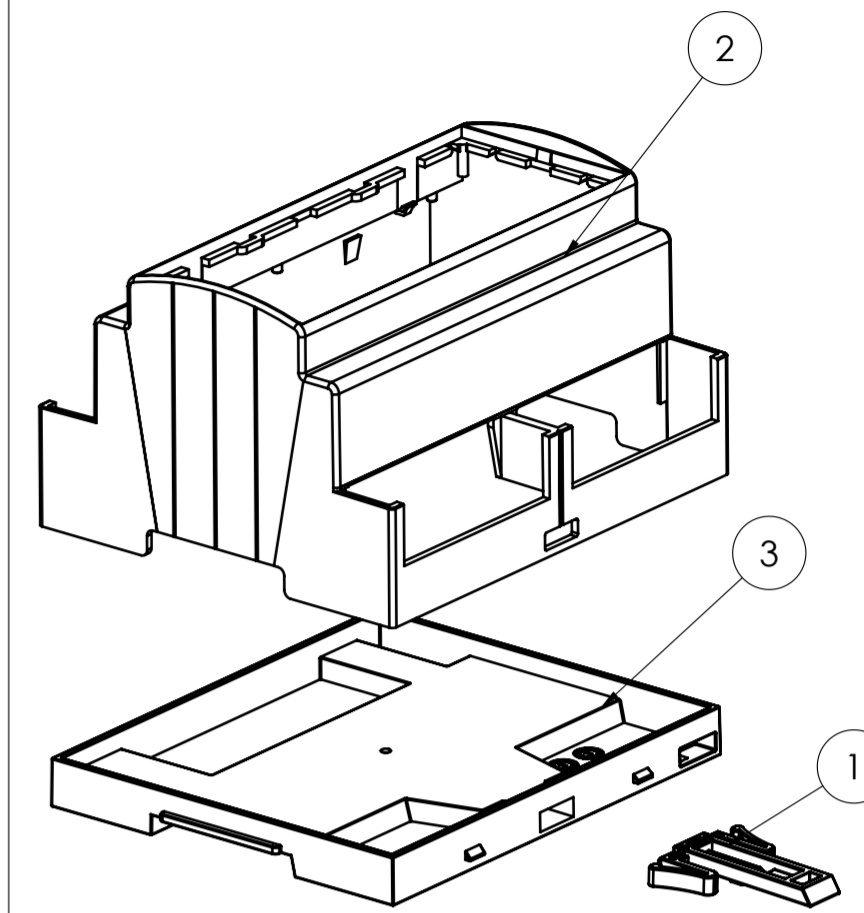
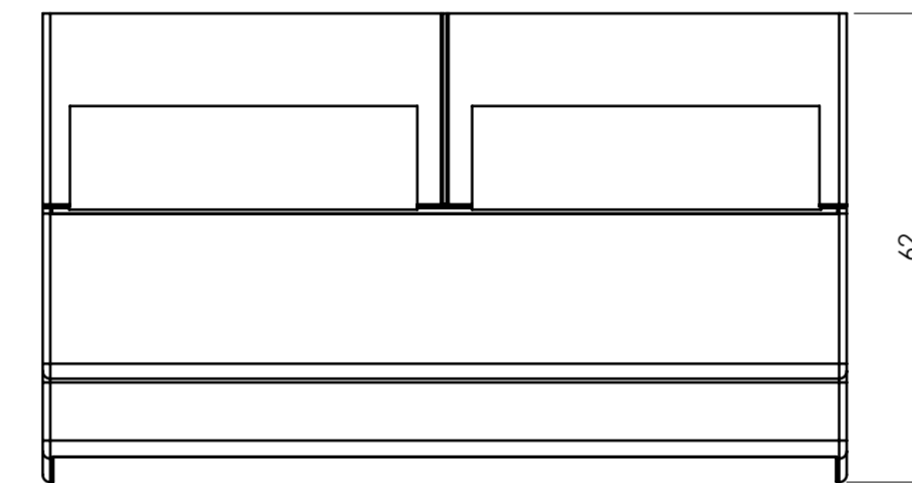
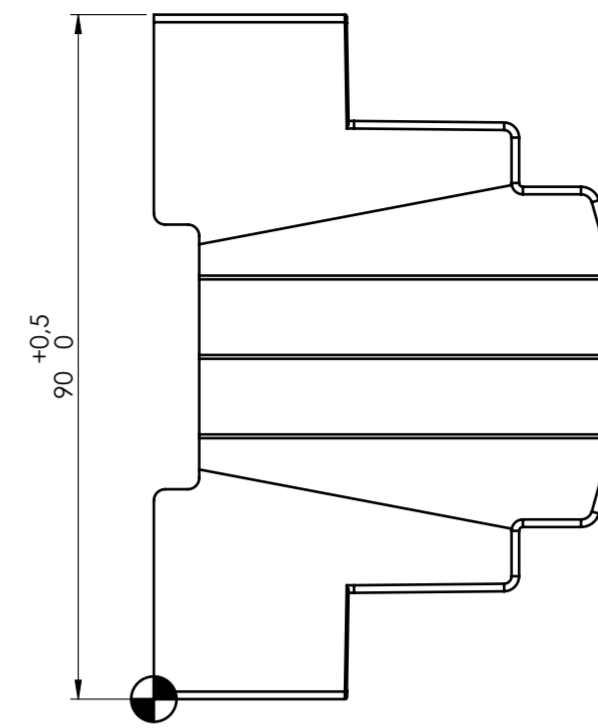
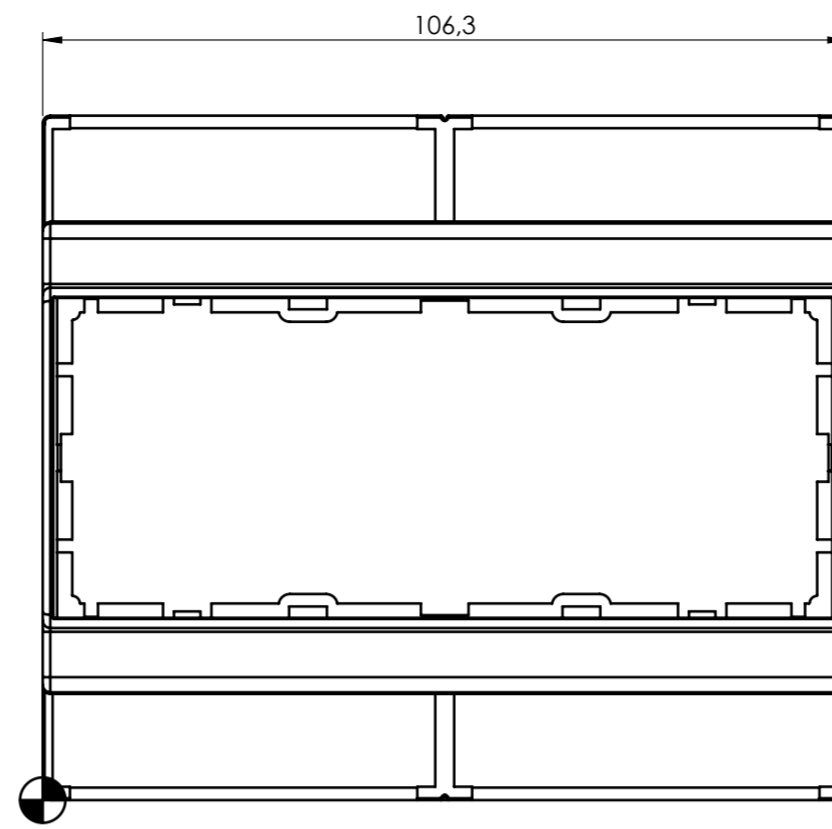


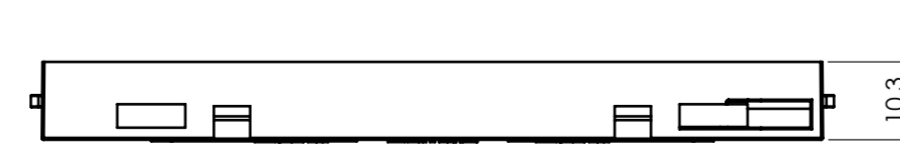
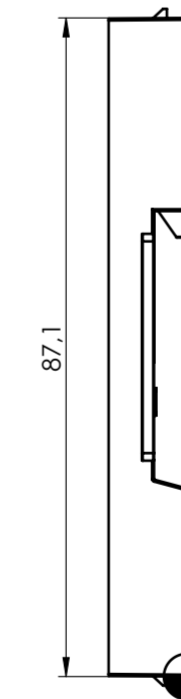
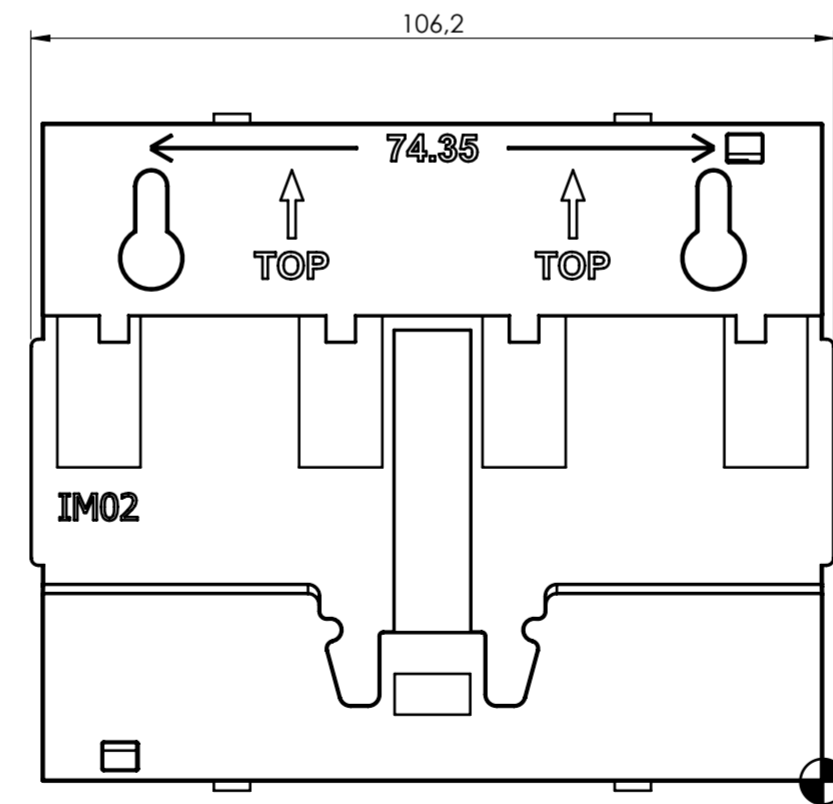
SECTION A-A



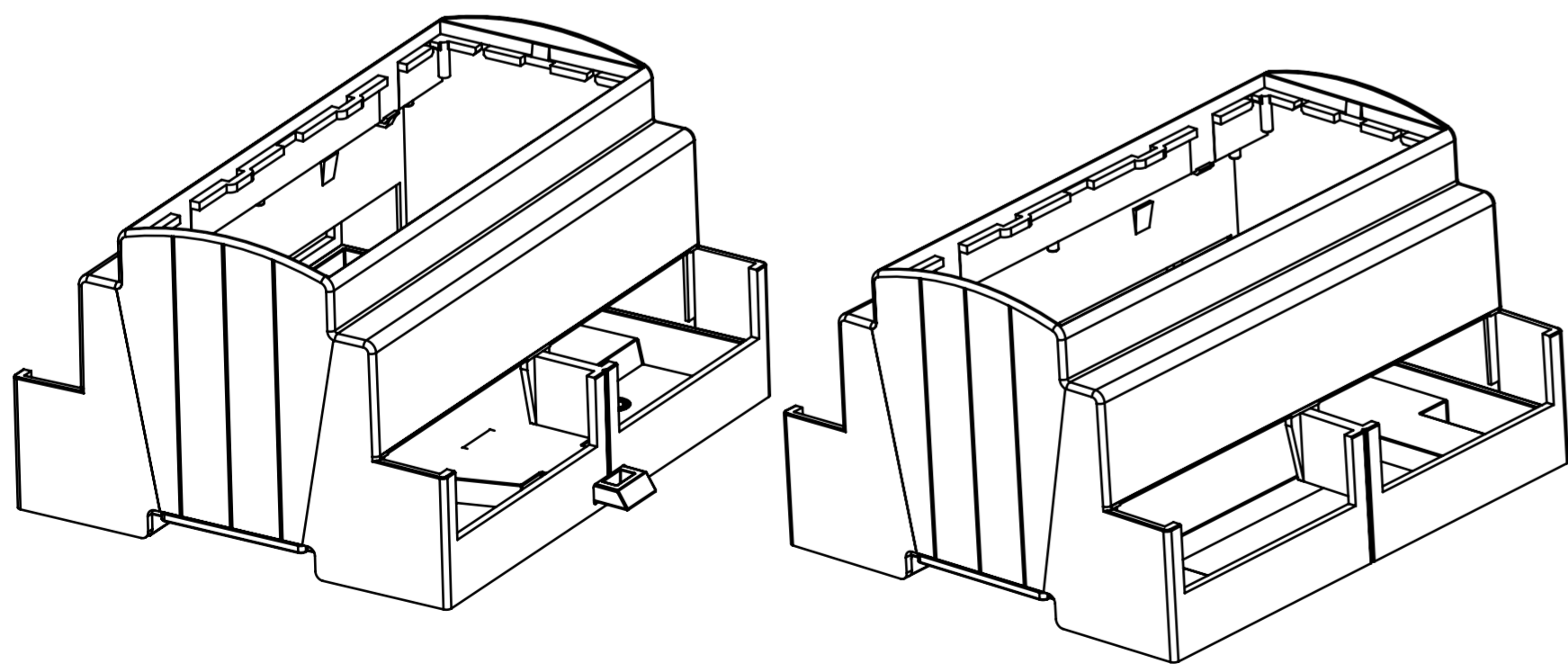
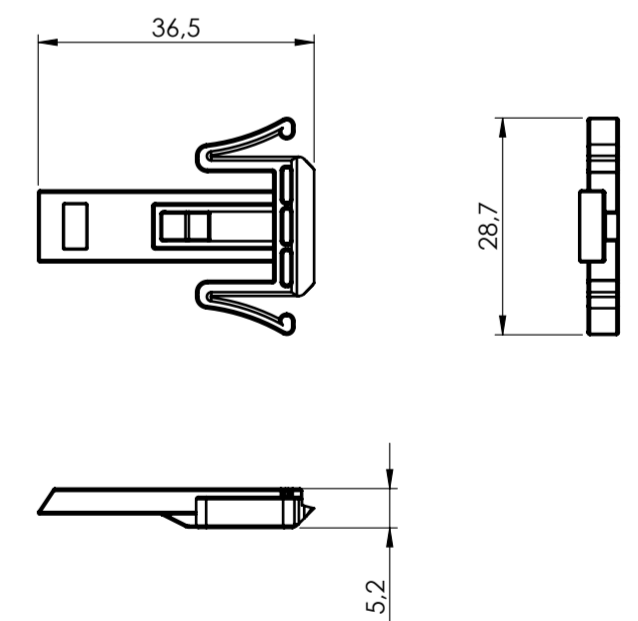
BODY ENCLOSURE



BASE



HOOK



General information:
 - Workpiece zero point for mechanical processing
 - Minimum recommended radius for machining = R1.0 mm
 - Mounting rail like EN 60715: TH 35-7.5 or TH 35-15
 - Medium thickness = 1.5 mm
 - Recommended PCB outline on www.italtronic.com

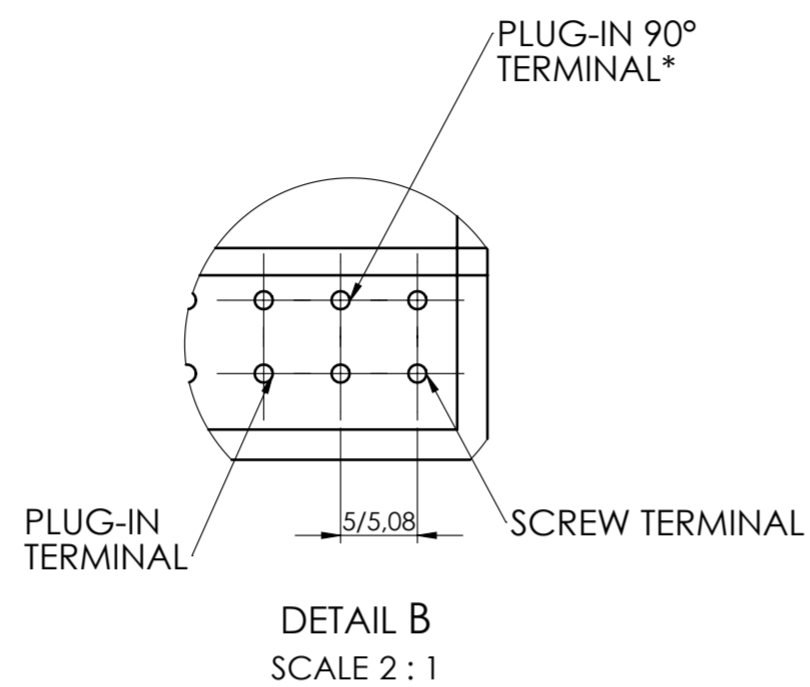
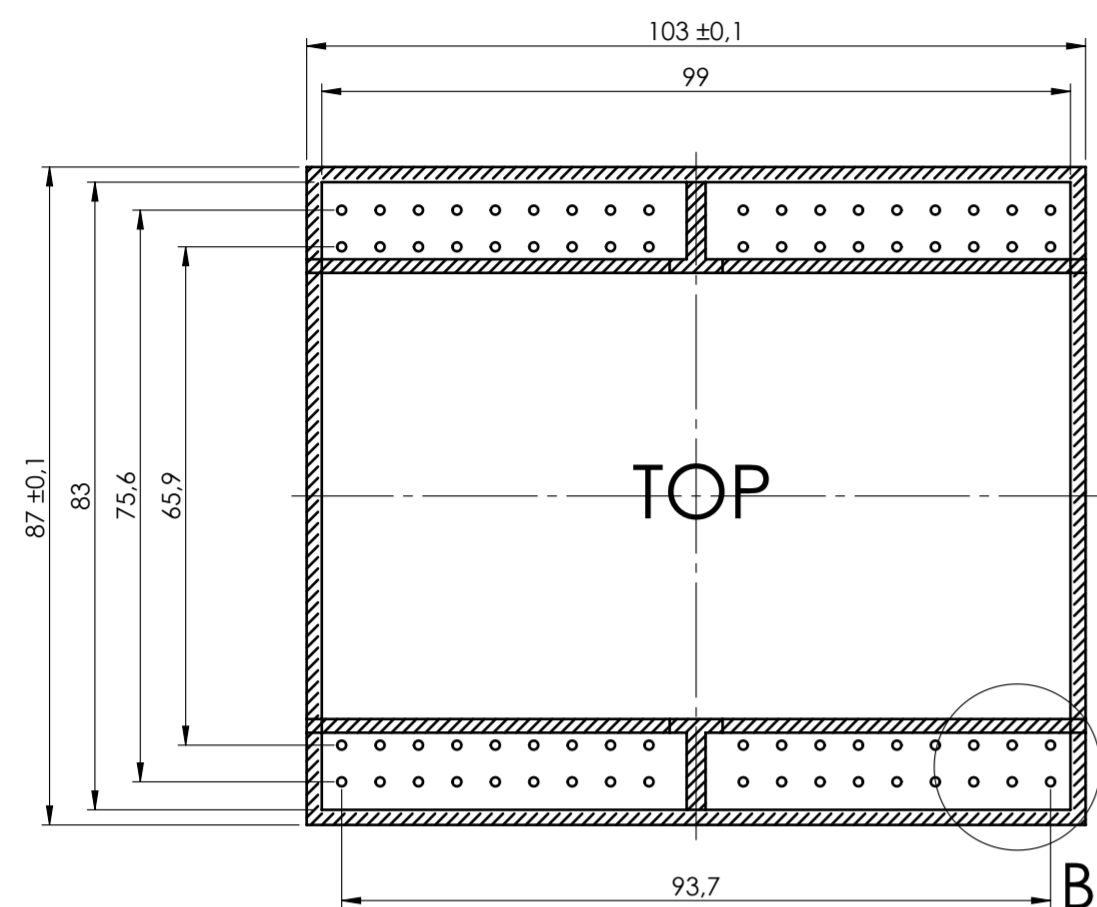
| RIF. | Q.TY | DRAWING | DESCRIPTION |
|------|------|-------------|---------------------------|
| 1 | 1 | 2_250_00072 | HOOK FOR MODULBOX XT-XTS |
| 2 | 1 | 2_250_03679 | BODY MODULBOX XTS 6MH53-A |
| 3 | 1 | 2_250_00137 | BASE MODULBOX XT-XTS 6M |

| General Tolerance UNI EN 22768/1 Media (m) | | | | | | Sheet: |
|--|---|--------------|----------------|-----------------|-----------|------------|
| from 0.5 to 3 | from 3 to 6 | from 6 to 30 | from 30 to 120 | from 120 to 400 | | 1 |
| ± 0.1 | ± 0.1 | ± 0.2 | ± 0.3 | ± 0.5 | | |
| Scale: | IM: | Drawn: | Checked: | Date: | Material: | Process: |
| 1:1 | -- | R.N. | R.N. | 13/04/2023 | | |
| | This present drawing cannot be reproduced or communicated to 3rd parties, even partially, without the authorization of Italtronic. Italtronic reserves the right to modify the drawings according to the law. | | Replaces the: | Derived from: | Weight: | Cod. Mold: |
| Dimension in mm | | | M-04108-01 | -- | gr | -- |

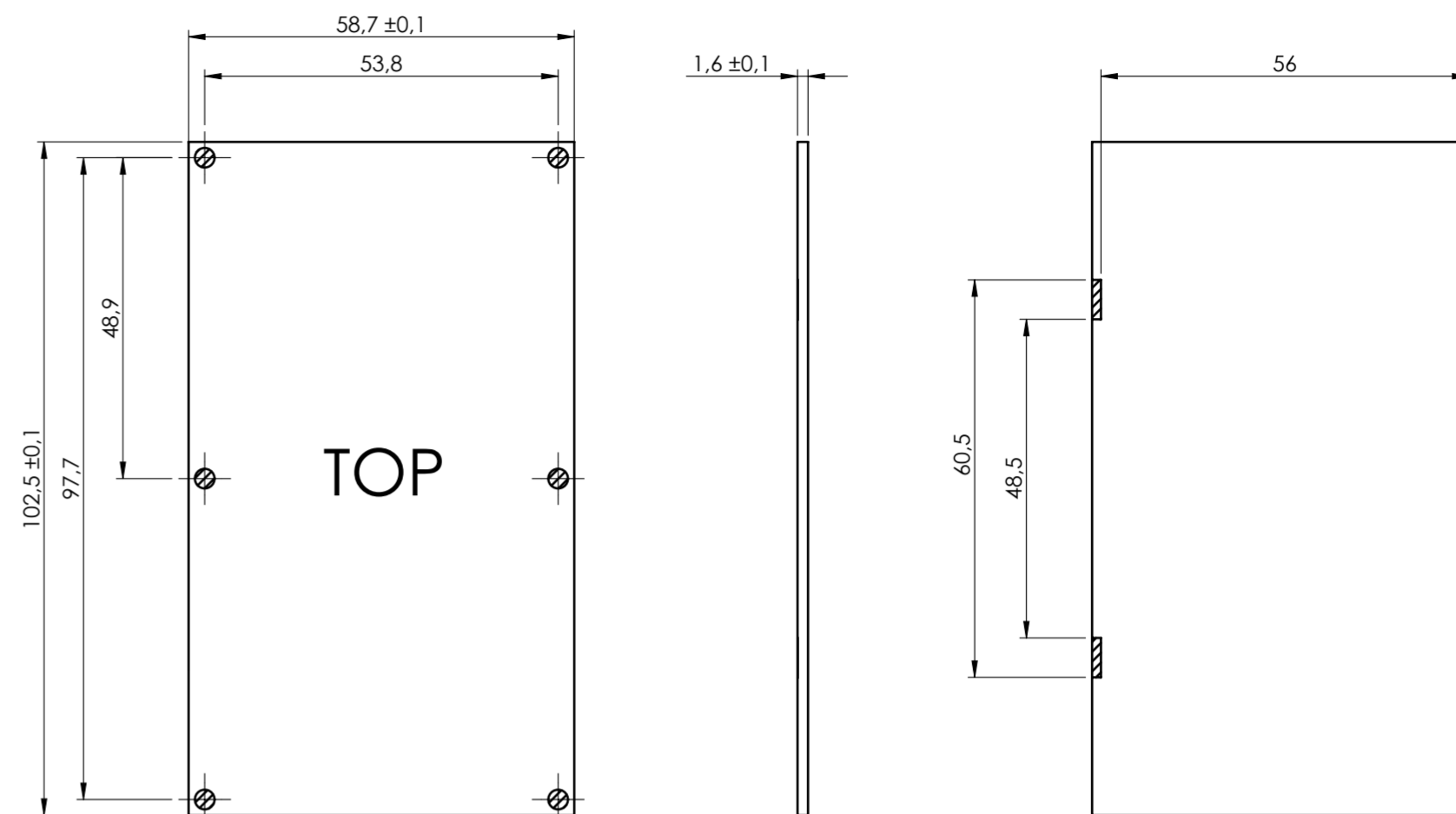
| | | | | |
|--|--|--|--|-----------------------|
| enclosures for electronics italtronic.com | | | Description: KIT CONTENITORE MODULBOX XTS 6MH53-A KIT ENCLOSURE MODULBOX XTS 6MH53-A Drawing nr.: 3_250_00089 | Rev.: 00 A2 |
|--|--|--|--|-----------------------|

PCB A

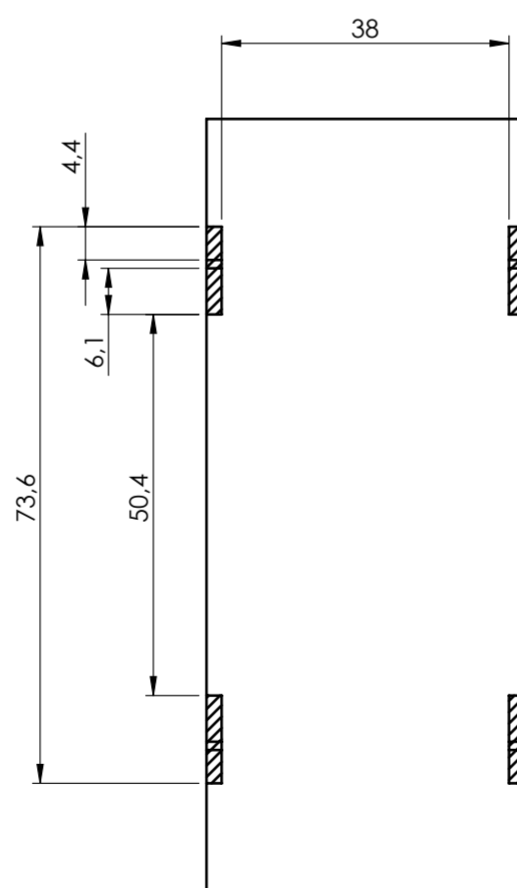
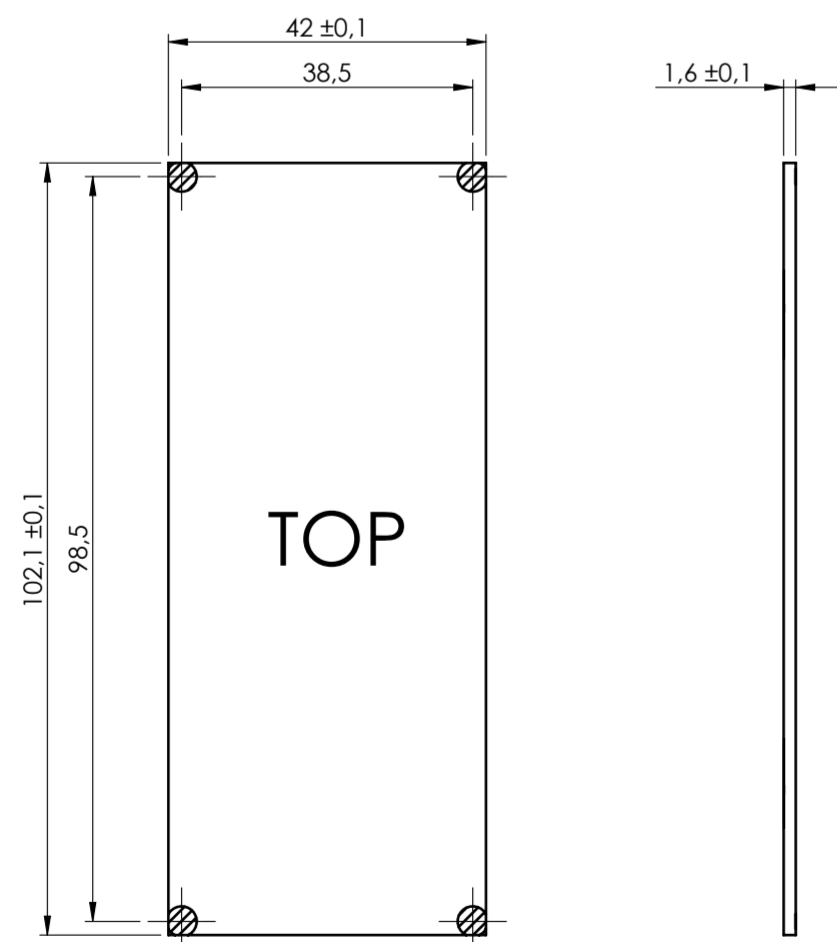
Max height of the terminal:
Modulbox XT/XTS: 18.5 mm



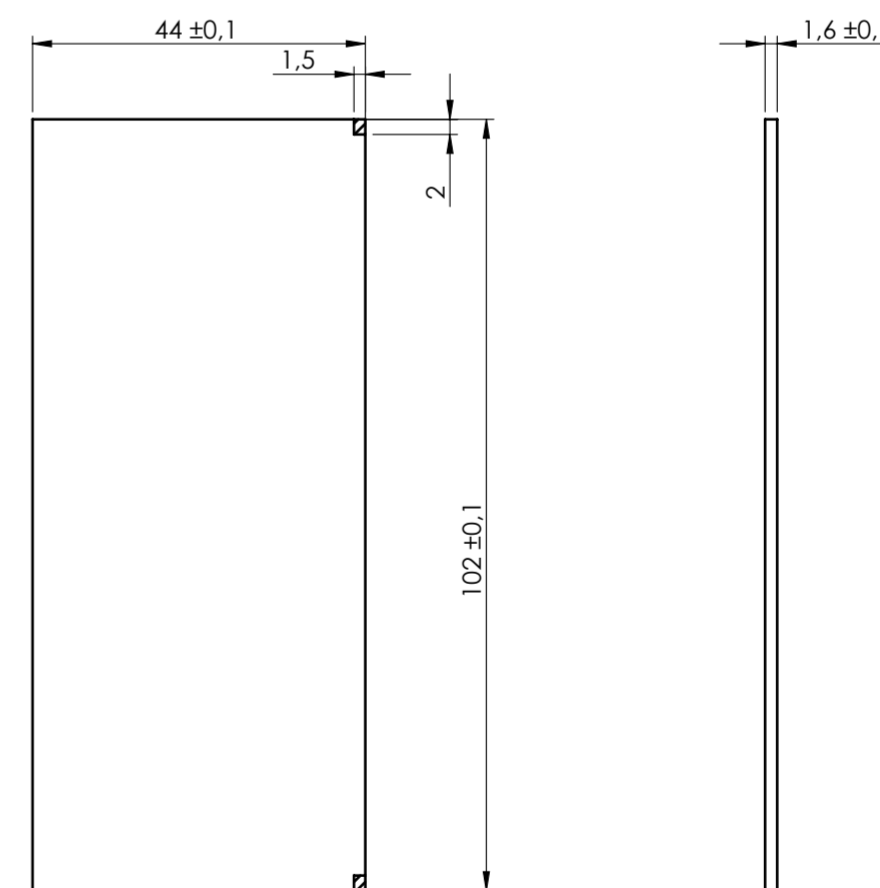
PCB B



PCB C



PCB V2



| General Tolerance UNI EN 22768/1 Media (m) | | | | | Sheet: |
|---|----------------------|-----------------------|-------------------------|--------------------------|------------|
| from 0.5 to 3 ± 0.1 | from 3 to 6 ± 0.1 | from 6 to 30 ± 0.2 | from 30 to 120 ± 0.3 | from 120 to 400 ± 0.5 | PCB |
| Scale: | IM: | Drawn: | Checked: | Date: | Material: |
| 1:1 | -- | R.N. | R.N. | 13/04/2023 | Process: |
| Dimension in mm | | Replaces the: | | Derived from: | Weight: |
| | | M-04108-01 | | -- | gr |
| Description: KIT CONTENITORE MODULBOX XTS 6MH53-A KIT ENCLOSURE MODULBOX XTS 6MH53-A Drawing nr.: 3_250_00089 | | | | | Cod. Mold: |
| | | | | | -- |
| | | | | | Rev.: 00 |
| | | | | | A2 |

NO COMPONENTS AREA