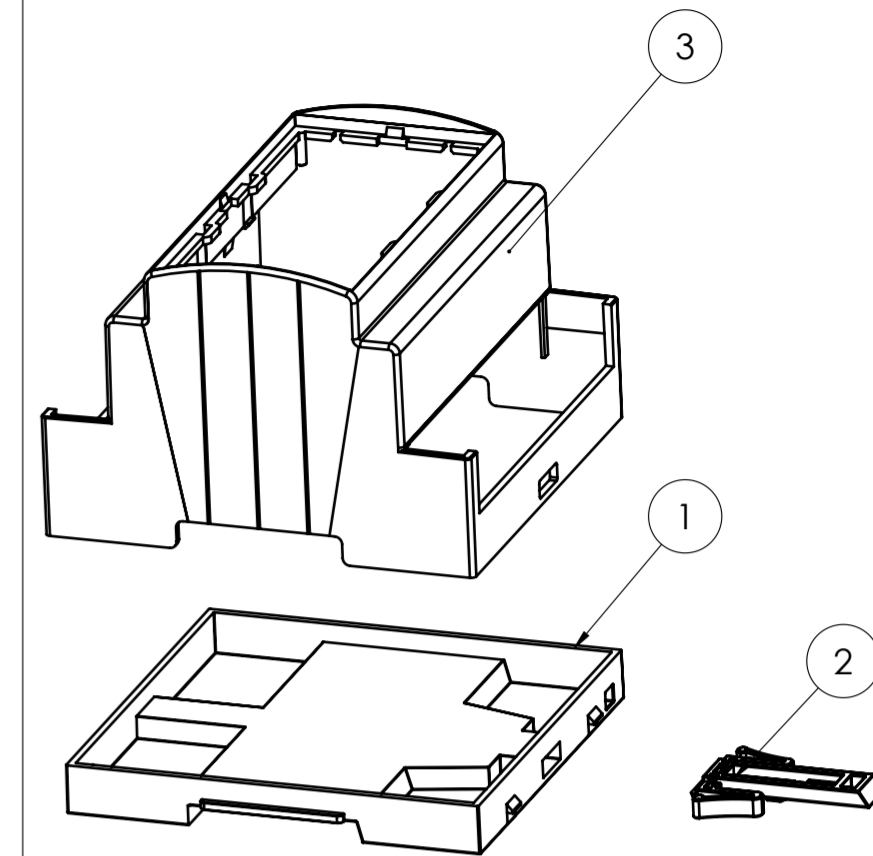
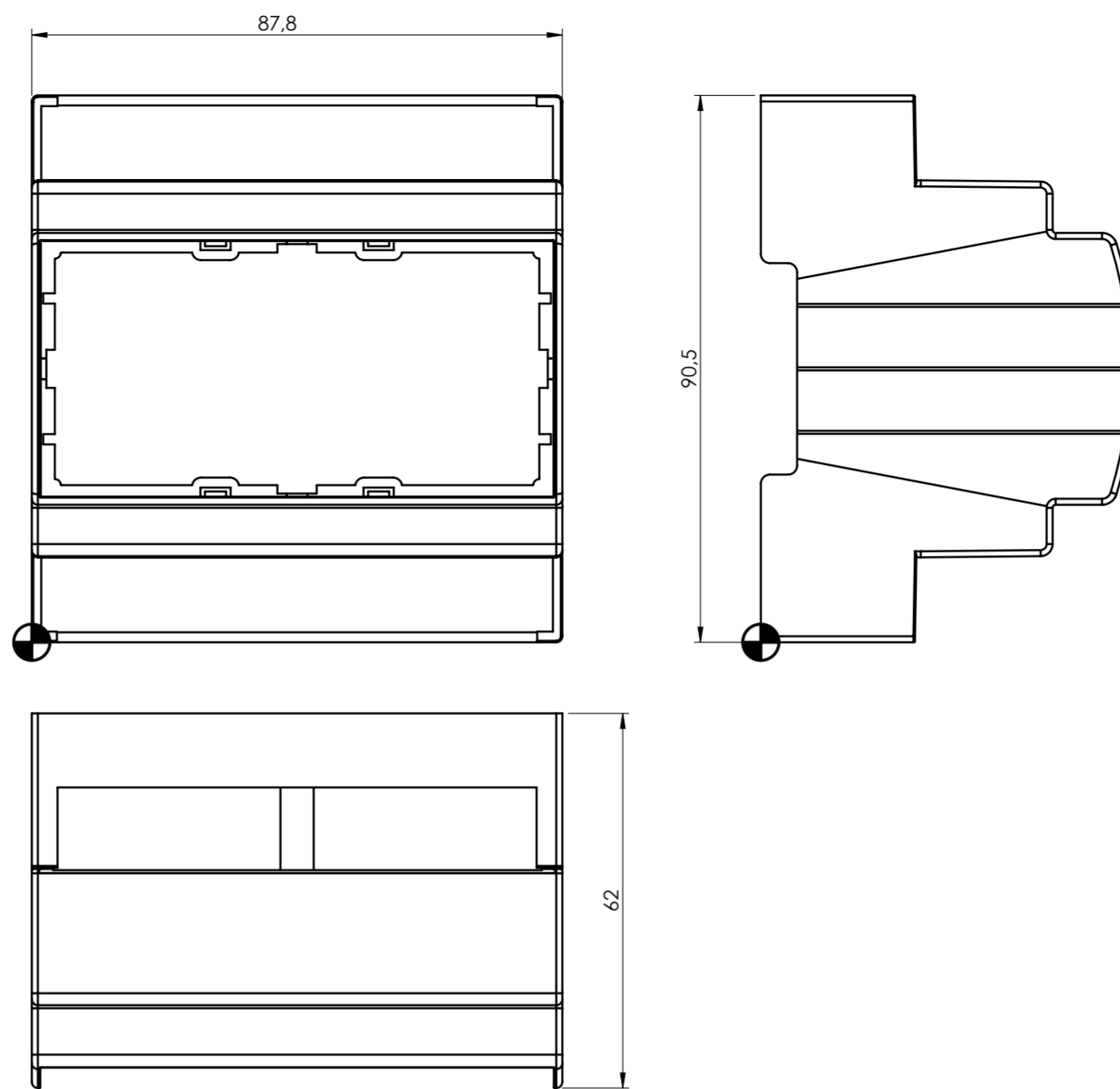
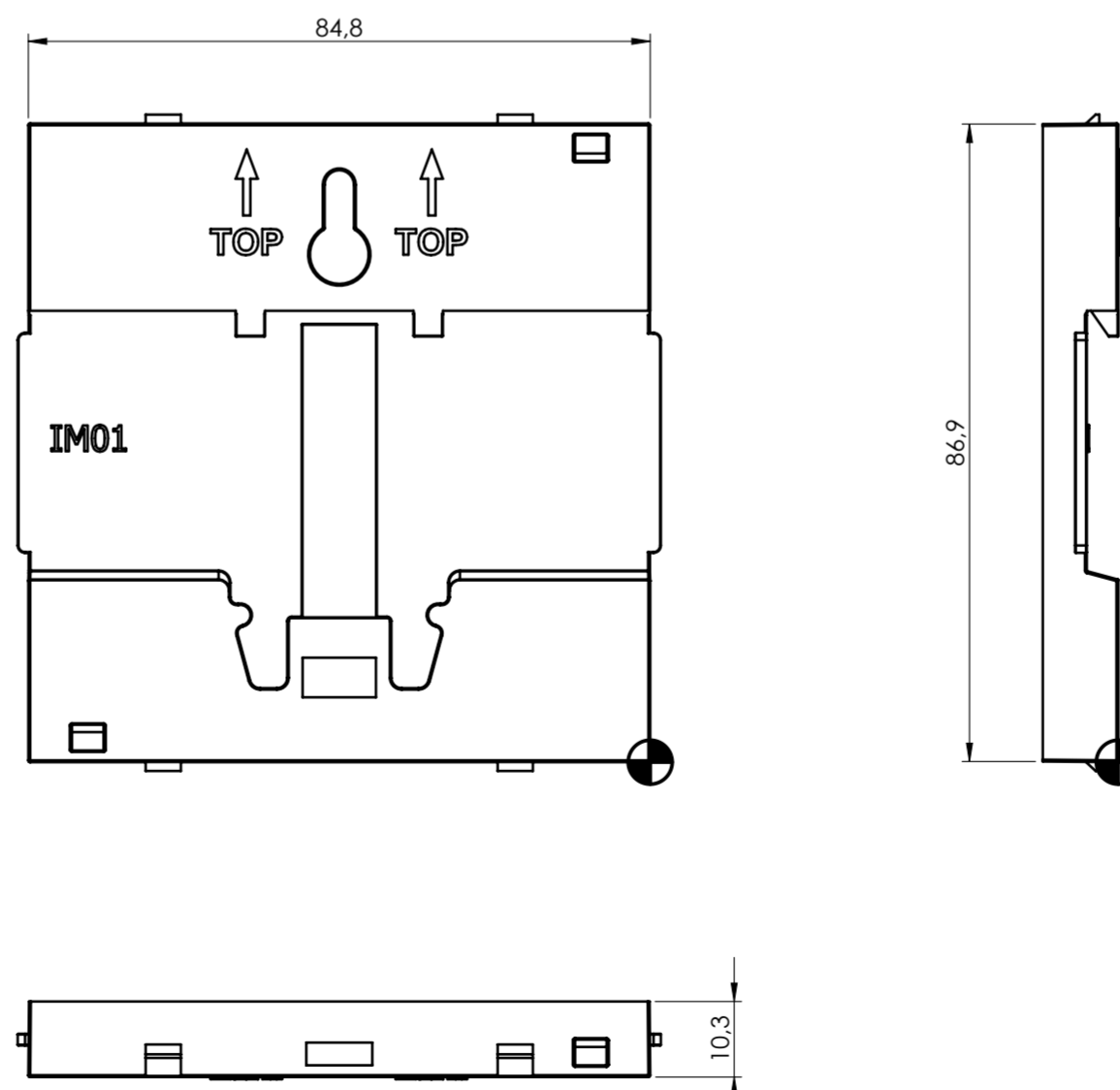


BODY ENCLOSURE

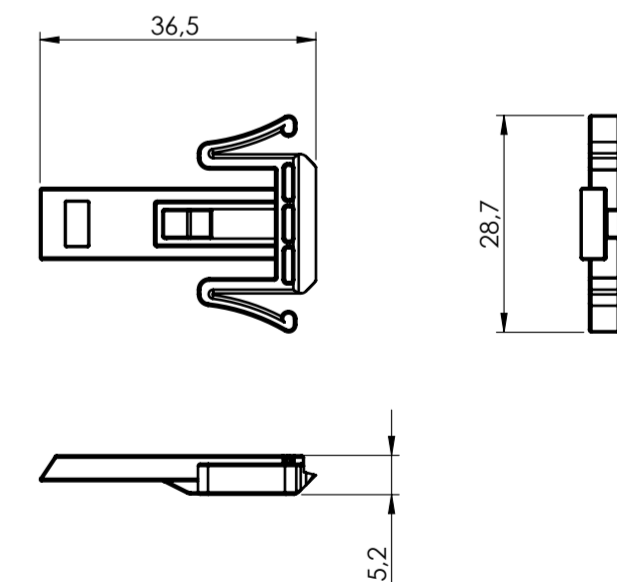


BASE



General information:
 - Workpiece zero point for mechanical processing
 - Minimum recommended radius for machining = R1.0 mm
 - Mounting rail like EN 60715: TH 35-7.5 or TH 35-15
 - Recommended PCB outline on www.italtronic.com

HOOK

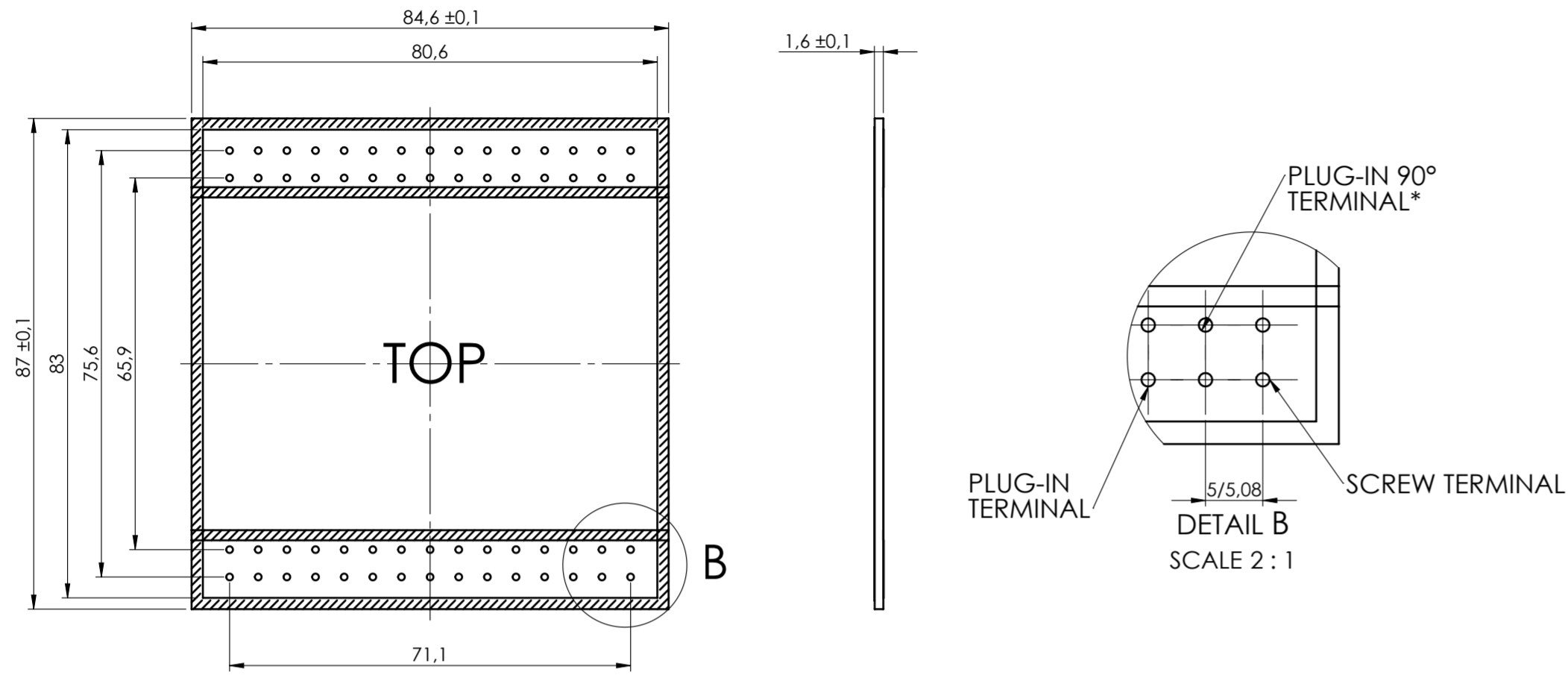


RIF.	Q.TY	DRAWING	DESCRIPTION
1	1	2_250_03678	BASE MODULBOX XT\XTS - 5M
2	1	2_250_00072	HOOK FOR MODULBOX XT-XTS
3	1	2_250_03688	BODY MODULBOX XTS 5MH53-A

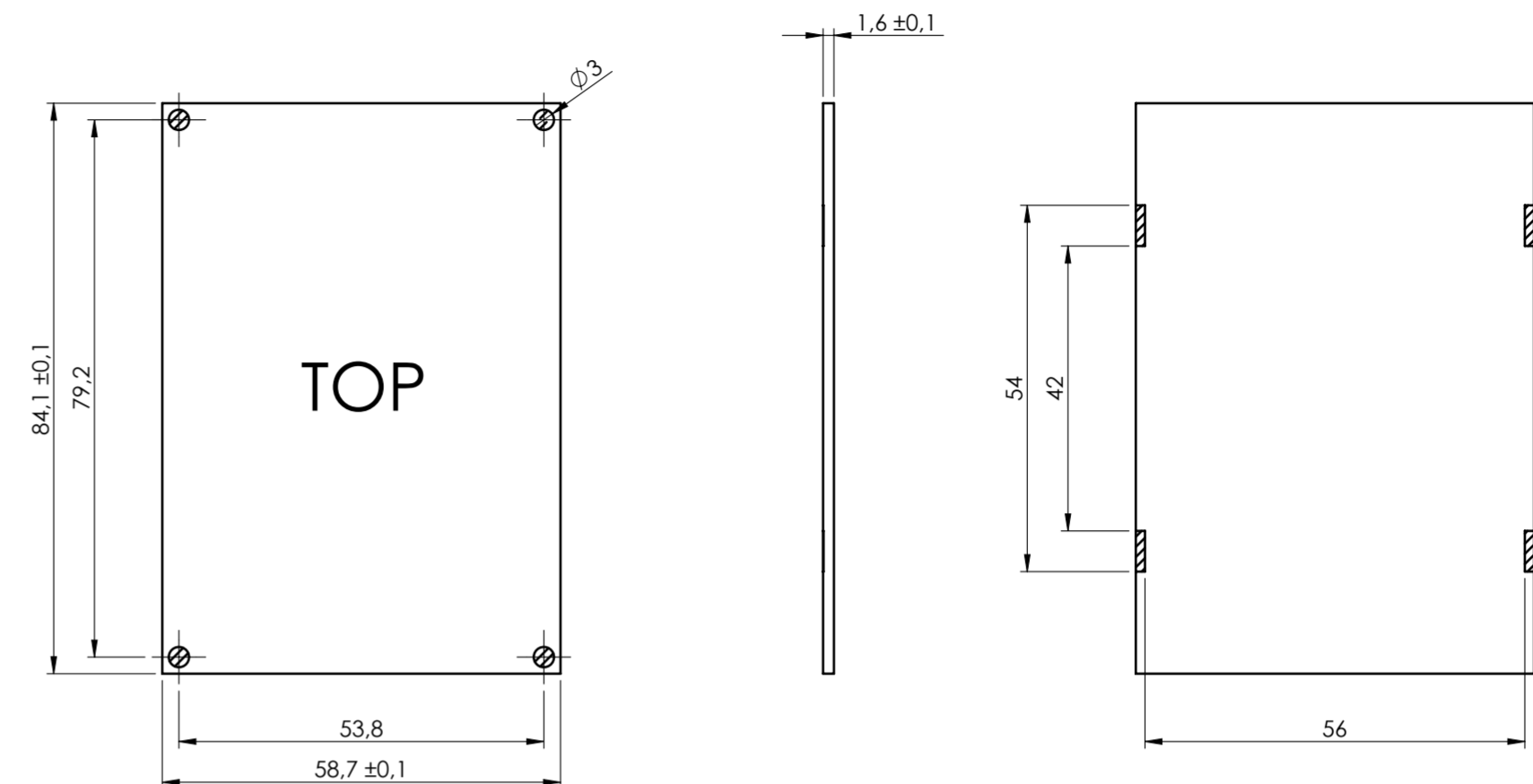
General Tolerance UNI EN 22768/1 Media (m)					Sheet:
from 0.5 to 3 ± 0.1	from 3 to 6 ± 0.1	from 6 to 30 ± 0.2	from 30 to 120 ± 0.3	from 120 to 400 ± 0.5	1
Scale:	Drawn:	Checked:	Date:	Material:	Process:
1:1			17/05/2023		
Derived from:		R.N.		Weight:	Cod. Mold:
				gr	--
 enclosures for electronics italtronic.com			Description: KIT CONTENITORE MODULBOX XTS 5MH53-A KIT ENCLOSURE MODULBOX XTS 5MH53-A Drawing nr.: 3_250_00115		Rev.: 00 A2

PCB A

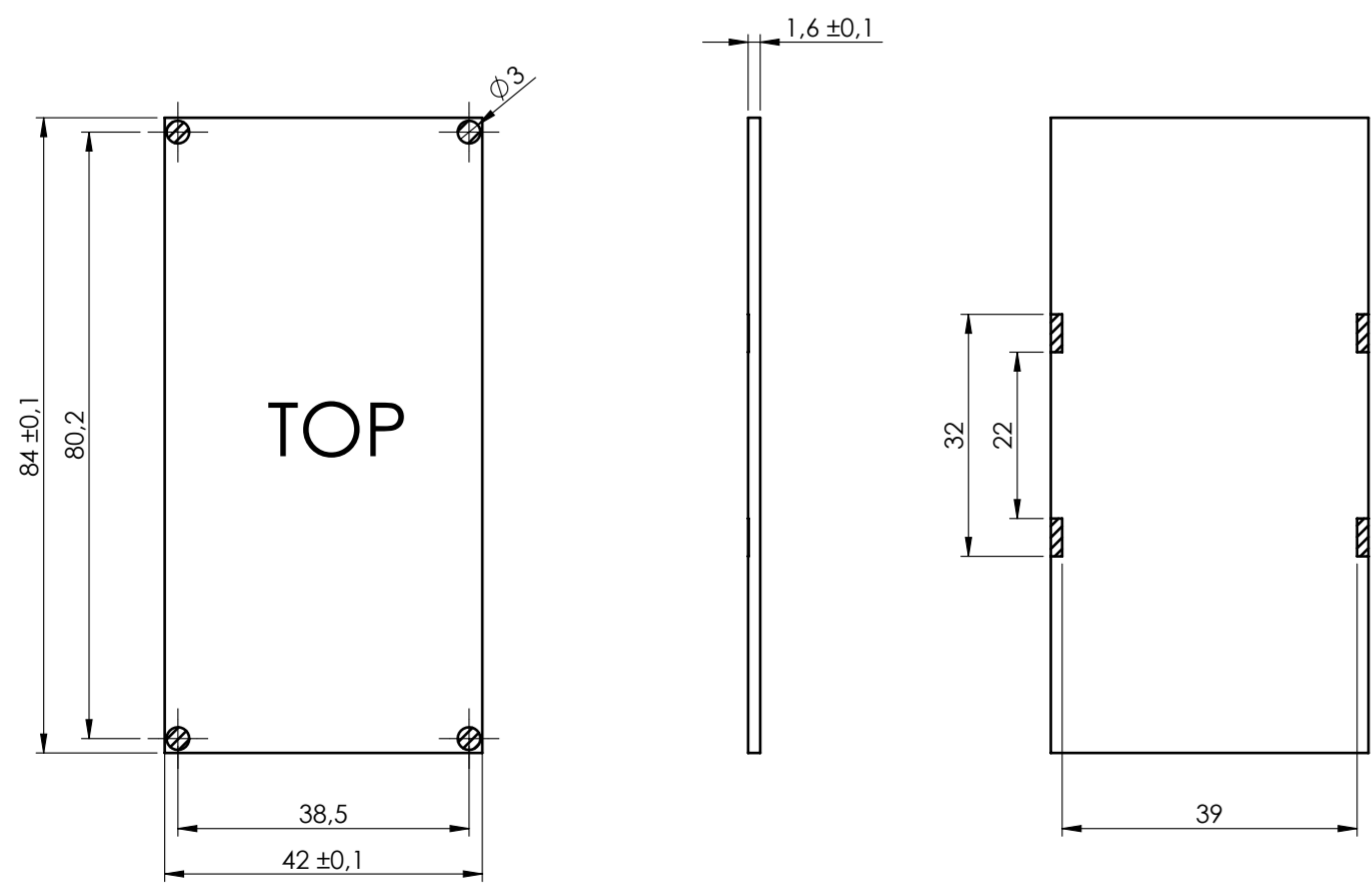
Max height of the terminal:
 Modulbox XT/XTS: 18.5 mm
 Modulbox ONE: 20 mm



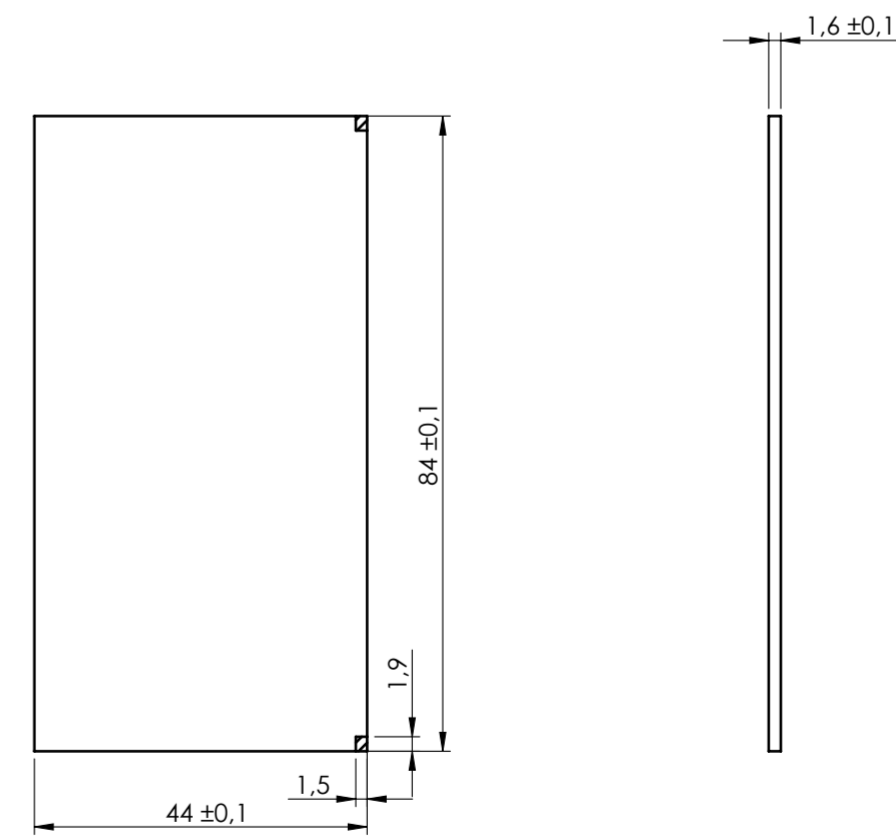
PCB B



PCB C



PCB V2



*To use the PLUG-IN terminals in Modulbox ONE use plug-in adapter P05000003E (5/5.08 pitch) and P05000004E (7.5/7.62 pitch)

NO COMPONENTS AREA

General Tolerance UNI EN 22768/1 Media (m)					Sheet:
from 0.5 to 3 ± 0.1	from 3 to 6 ± 0.1	from 6 to 30 ± 0.2	from 30 to 120 ± 0.3	from 120 to 400 ± 0.5	PCB
Scale: 1:1	IM: --	Drawn: --	Checked: R.N.	Date: 17/05/2023	Material: --
Dimension in mm		Replaces the: M-04096-01	Derived from:	Weight: gr	Cod. Mold: --
Description: KIT CONTENITORE MODULBOX XTS 5MH53-A KIT ENCLOSURE MODULBOX XTS 5MH53-A Drawing nr.: 3_250_00115					Rev.: 00
					A2