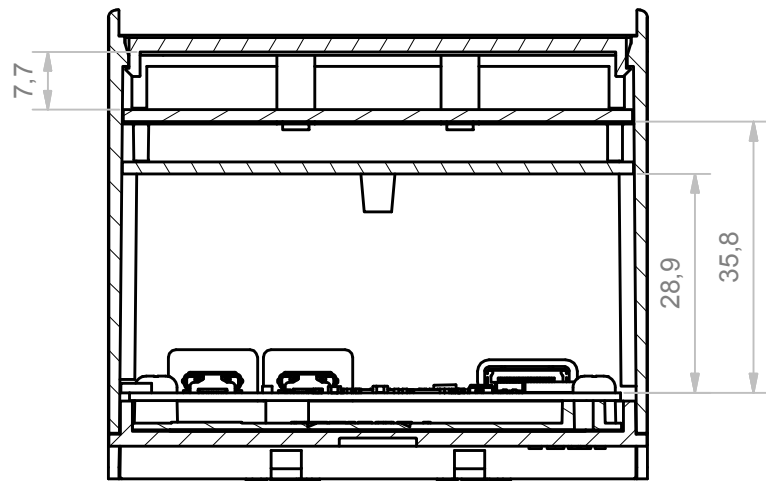
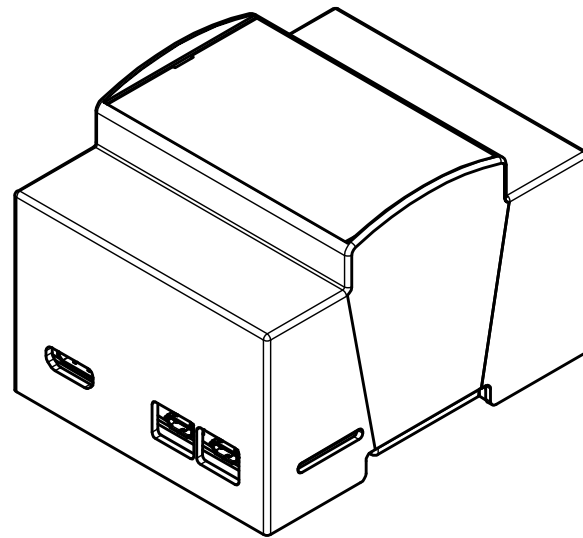
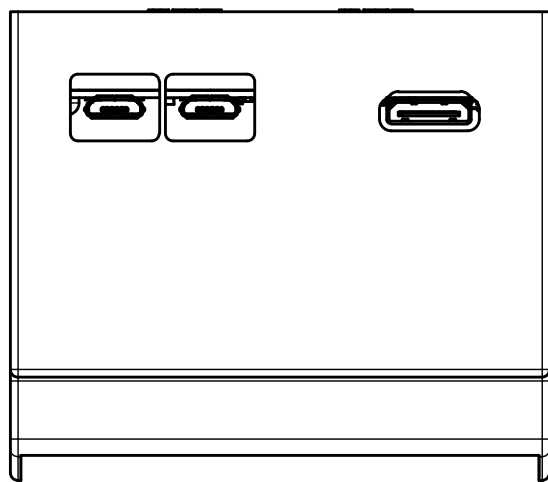
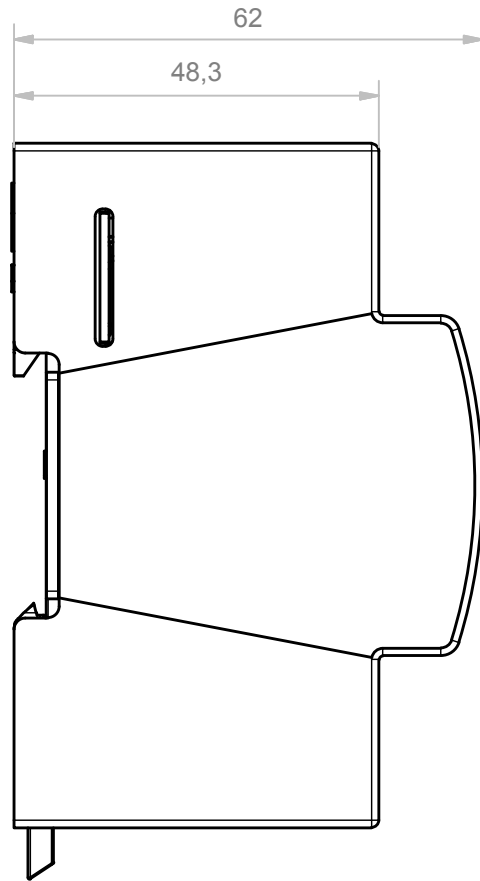
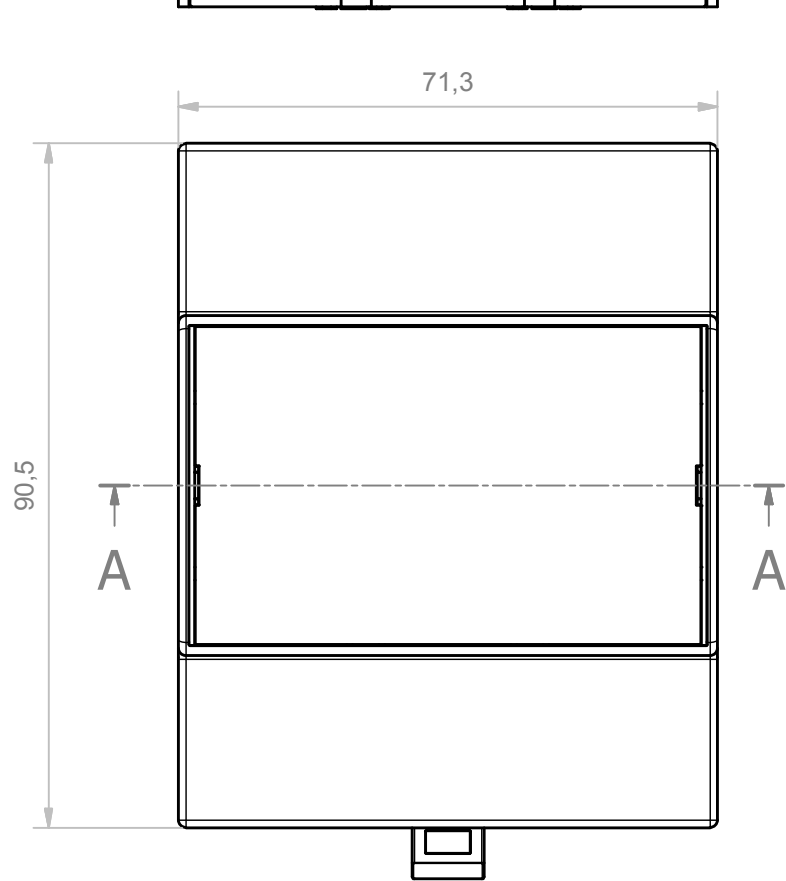
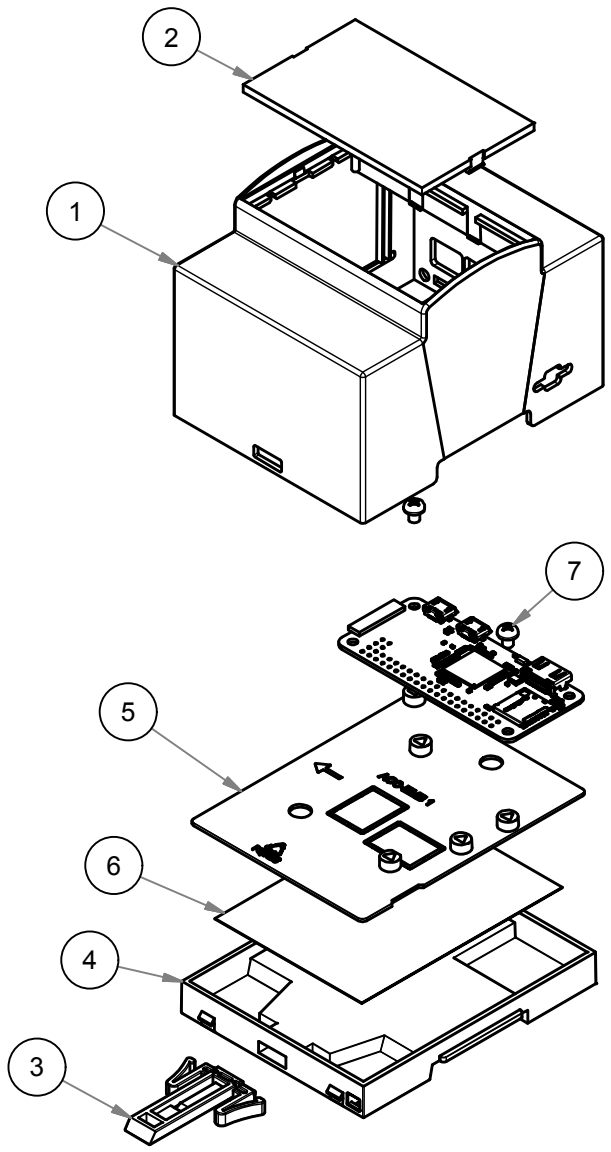


A-A (1:1)



| PCB TYPE | PCB DIMENSION | TOLERANCE |
|----------|---------------|-----------|
| B        | 67.6X86.4X1.6 | +/- 0.1   |
| C        | 67.4X42.0X1.6 | +/- 0.1   |



| RIF. | Q.TY | DESCRIPTION                             | DRAWING     |
|------|------|---|-------------|
| 1    | 1    | BODY ENCLOSURE 4M XTS RASPBERRY PI ZERO | 2.050.00008 |
| 2    | 1    | PANEL 4M WITHOUT FRAME                  | 1.001.00346 |
| 3    | 1    | MODULAR HOOK LONG                       | 1.001.01900 |
| 4    | 1    | BASE MODULBOX XT/XTS - 4M               | 1.001.01990 |
| 5    | 1    | ACCESSORY FOR BASE EMBEDDED EMB1        | 2.050.00001 |
| 6    | 1    | ADHESIVE FOR ACCESSORY BASE EMBEDDED    | 2.050.00005 |
| 7    | 2    | SCREW 2.9 X 4.5 TC                      | 8.100.00013 |

| General Tolerance UNI EN 22768/1 Media (m)        |                     |  |                            |  |
|---|---------------------|--|----------------------------|--|
| from 0.5 to 3                                     | from 3 to 6         | from 6 to 30   | from 30 to 120             | from 120 to 400                                  |
| ± 0.1   | ± 0.1               | ± 0.2  | ± 0.3                      | ± 0.5  |
| Scale:<br>1 : 1                                   | Sheet nr.:<br>1 / 1 | Drawn:<br>N.R.   | Checked:<br>Fanin F.       | Date:<br>20/03/2018                              |
| Dimension in mm                                   |                     | Material:  | Weight:                    | Volume:  |
| <br>www.italtronic.com<br>techcare@italtronic.com |                     | Description:<br>CONTENITORE COMPLETO 4M XTS RASPBERRY PI ZERO<br>COMPLETE ENCLOSURE 4M XTS RASPBERRY PI ZERO |                            | Revision description:<br>5 4 3 2 1<br>Rev.<br>01 |
|   |                     |  | Drawing nr.<br>3.050.00003 |  |

Updated cartouche with new code (code passed M-07446-00) - 20/03/18 N.R.

RESERVED PROPERTY: The present drawing cannot be reproduced or communicated to 3rd parties, even partially, without the authorization of ITALTRONIC Srl. Italtronic reserves to protect its own rights according to the law.