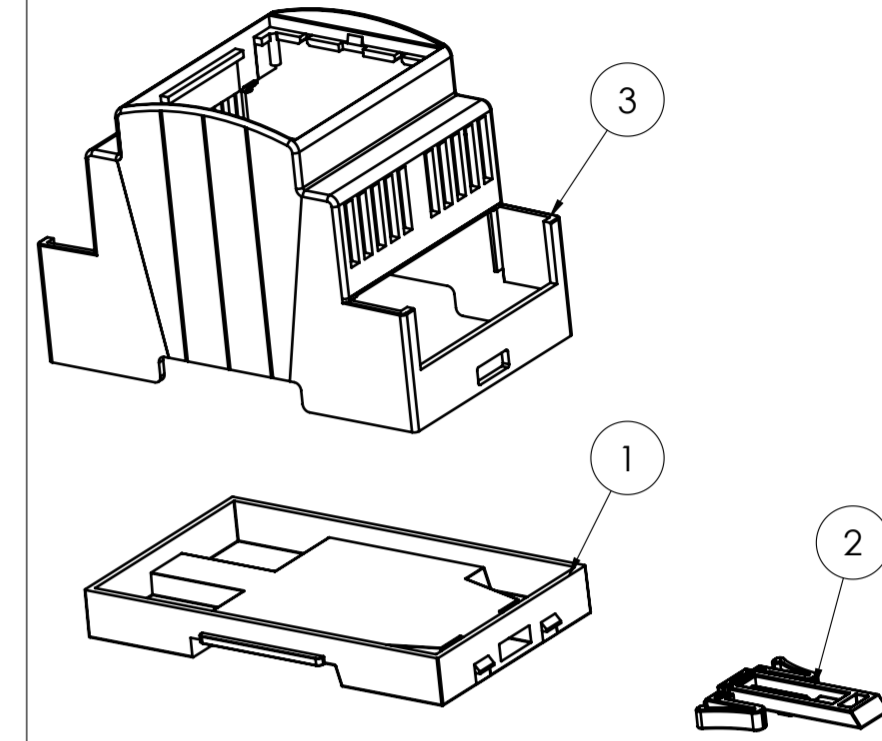
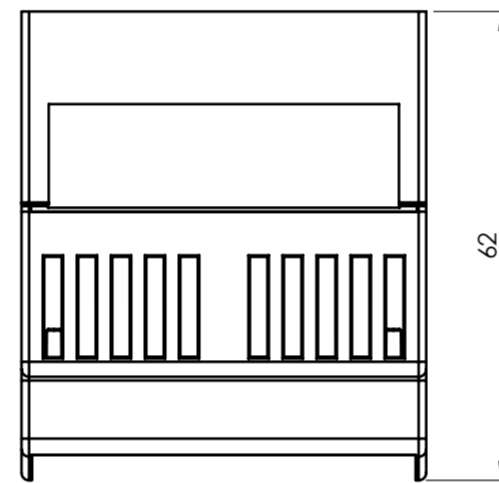
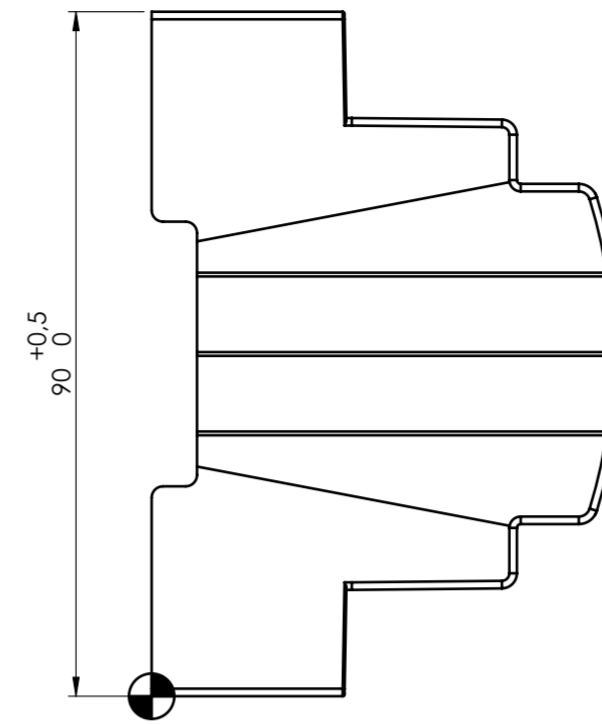
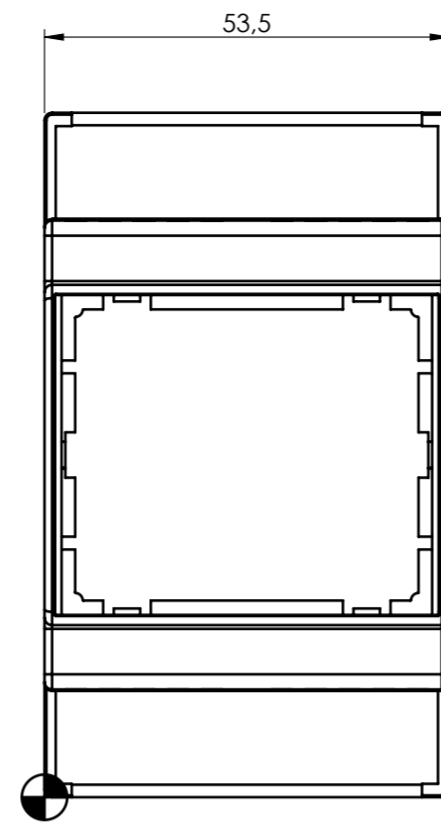
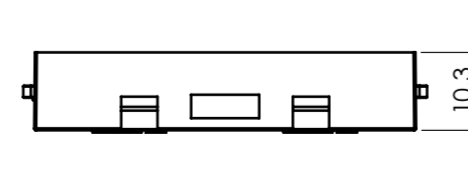
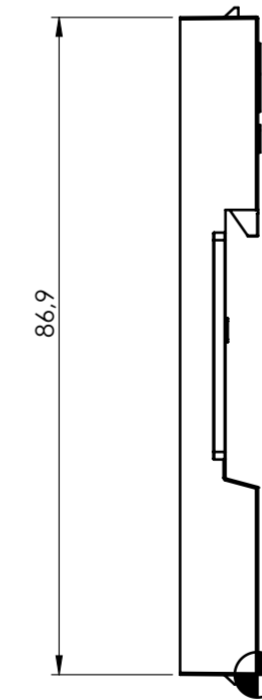
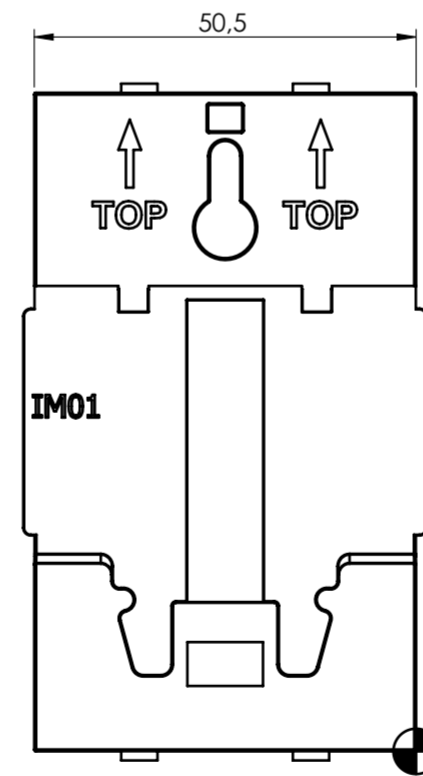


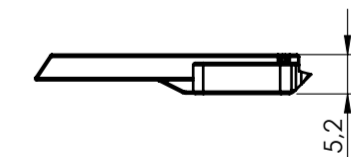
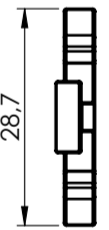
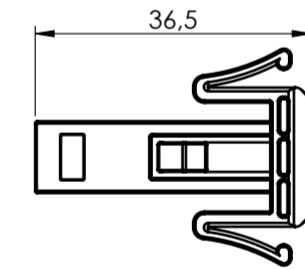
BODY ENCLOSURE



BASE



HOOK



General information:
 - Workpiece zero point for mechanical processing
 - Minimum recommended radius for machining = R1.0 mm
 - Mounting rail like EN 60715: TH 35-7.5 or TH 35-15
 - Recommended PCB outline on www.italtronic.com

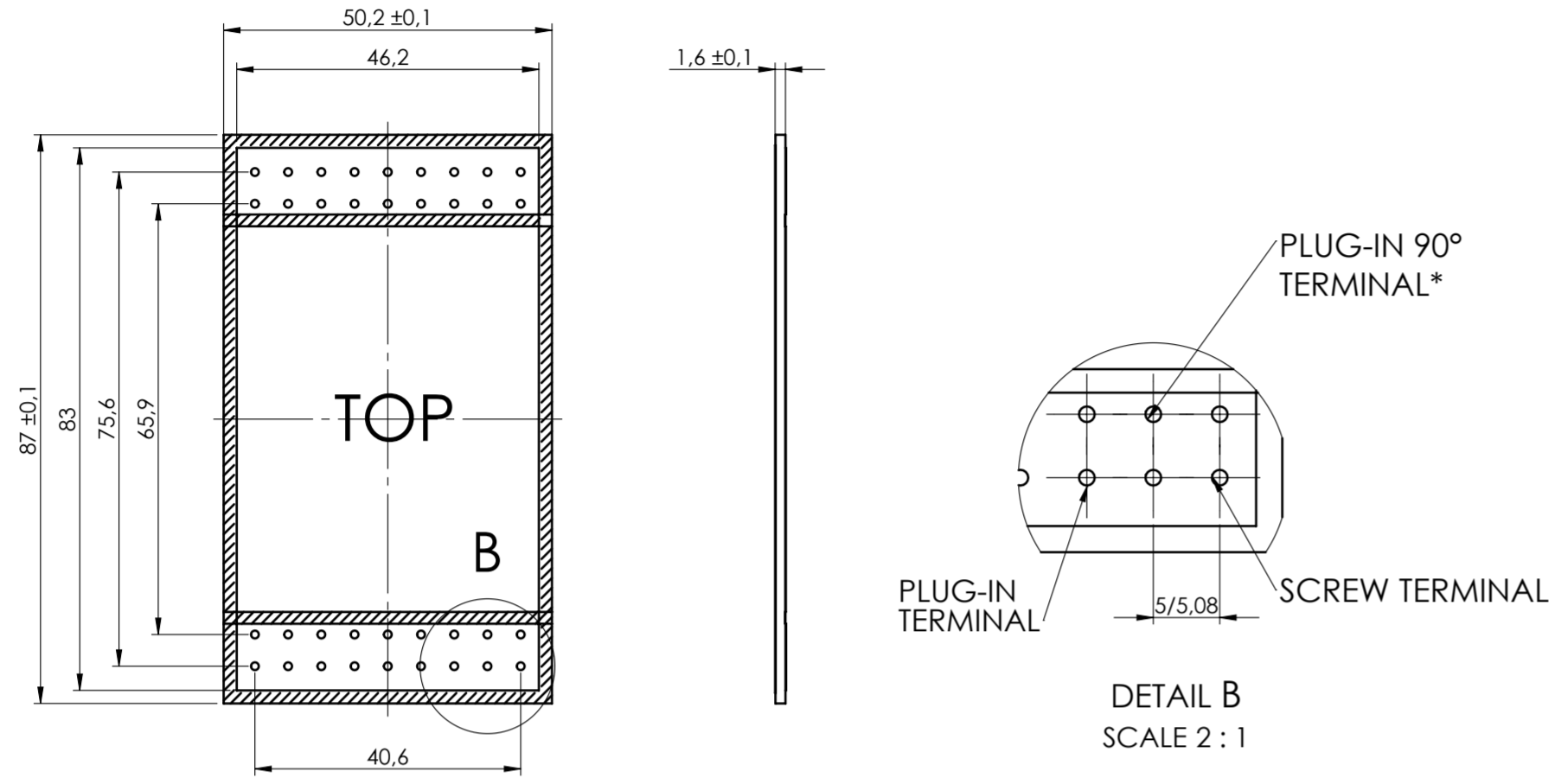
RIF.	Q.TY	DRAWING	DESCRIPTION
1	1	2_250_03677	BASE MODULBOX XT/XTS - 3M
2	1	2_250_00072	HOOK FOR MODULBOX XT-XTS
3	1	2_250_00057	BODY MODULBOX XTS 3MH53V-A

General Tolerance UNI EN 22768/1 Media (m)						Sheet:
from 0.5 to 3	from 3 to 6	from 6 to 30	from 30 to 120	from 120 to 400		1
± 0.1	± 0.1	± 0.2	± 0.3	± 0.5		
Scale:	IM:	Drawn:	Checked:	Date:	Material:	Process:
1:1	--	R.N.	R.N.	14/04/2023		
Dimension in mm		Replaces the:		Derived from:	Weight:	Cod. Mold:
		M-04071-01		--	gr	--

italtronic enclosures for electronics italtronic.com		Description: KIT CONTENITORE MODULBOX XTS 3MH53V-A KIT ENCLOSURE MODULBOX XTS 3MH53V-A Drawing nr.: 3_250_00038		Rev.: - A2
-------------------------------------------------------------------------------------------------------	--	------------------------------------------------------------------------------------------------------------------------------------	--	---------------

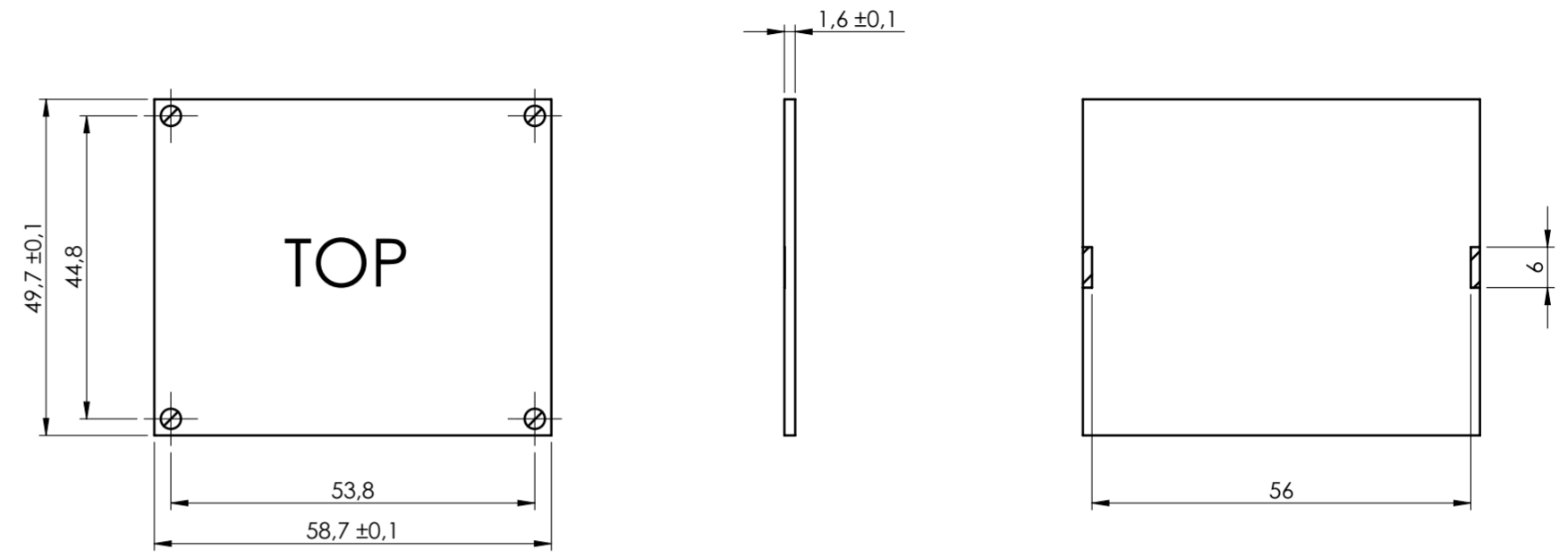
PCB A

Max height of the terminal:
 Modulbox XT/XTS: 18.5 mm
 Modulbox ONE: 20 mm

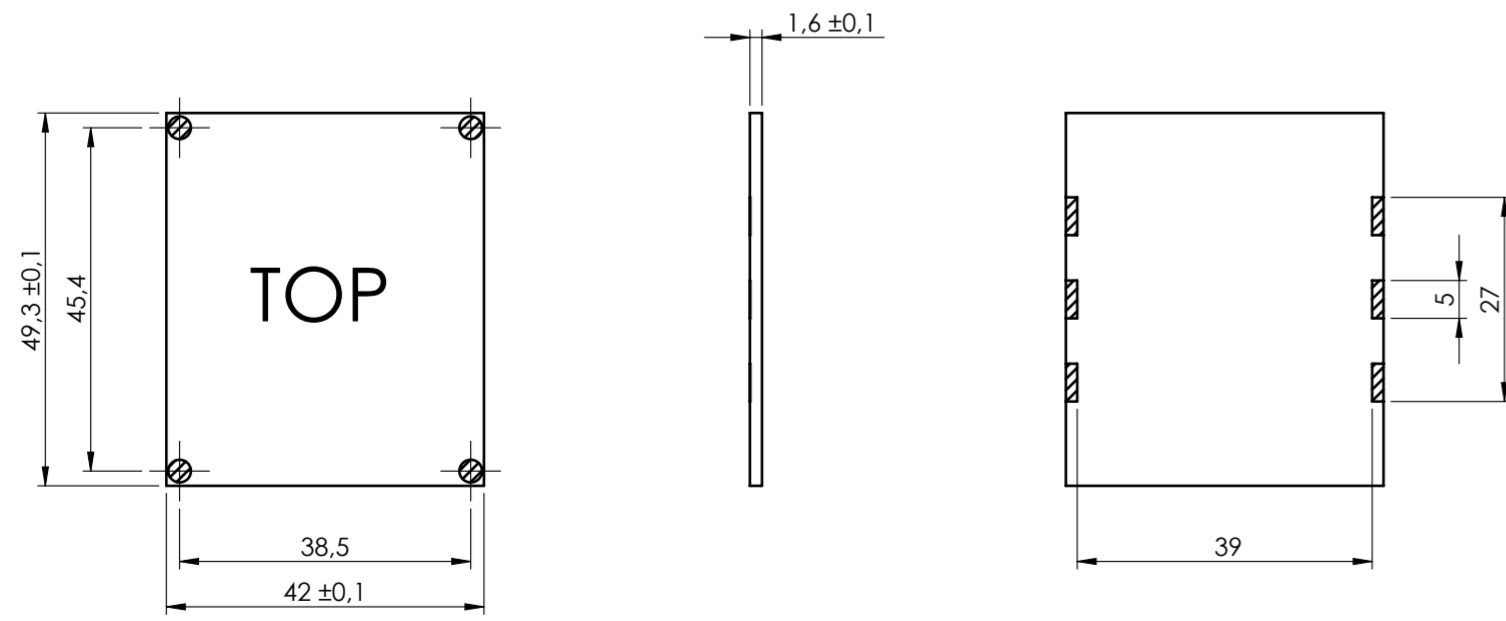


*To use the PLUG-IN terminals in Modulbox ONE use plug-in adapter P05000003E (5/5.08 pitch) and P05000004E (7.5/7.62 pitch)

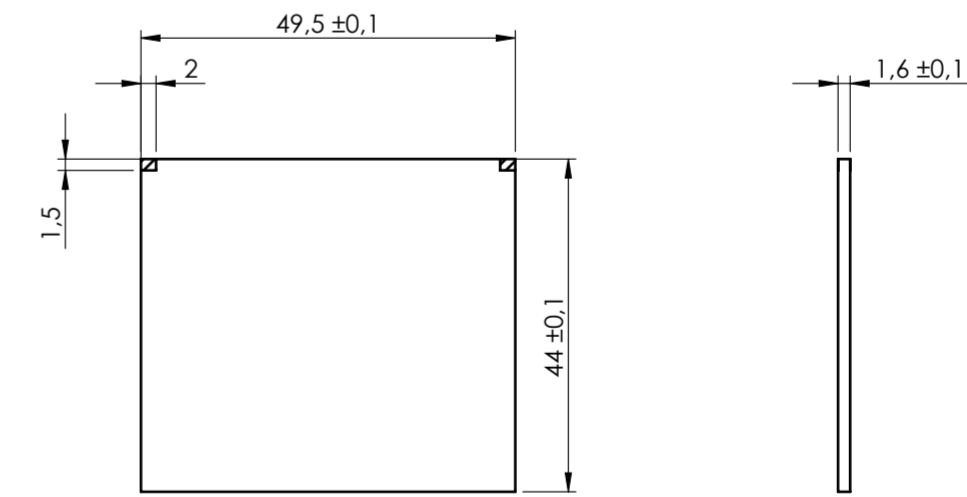
PCB B



PCB C



PCB V2



General Tolerance UNI EN 22768/1 Media (m)					Sheet:
from 0.5 to 3 ± 0.1	from 3 to 6 ± 0.1	from 6 to 30 ± 0.2	from 30 to 120 ± 0.3	from 120 to 400 ± 0.5	PCB
Scale: 1:1	IM: --	Drawn: R.N.	Checked: R.N.	Date: 14/04/2023	Process:
Dimension in mm		Replaces the: M-04071-01	Derived from: --	Weight: gr	Cod. Mold: --
 italtronic enclosures for electronics italtronic.com		Description: KIT CONTENITORE MODULBOX XTS 3MH53V-A KIT ENCLOSURE MODULBOX XTS 3MH53V-A Drawing nr.: 3_250_00038			Rev.: - A2

NO COMPONENTS AREA