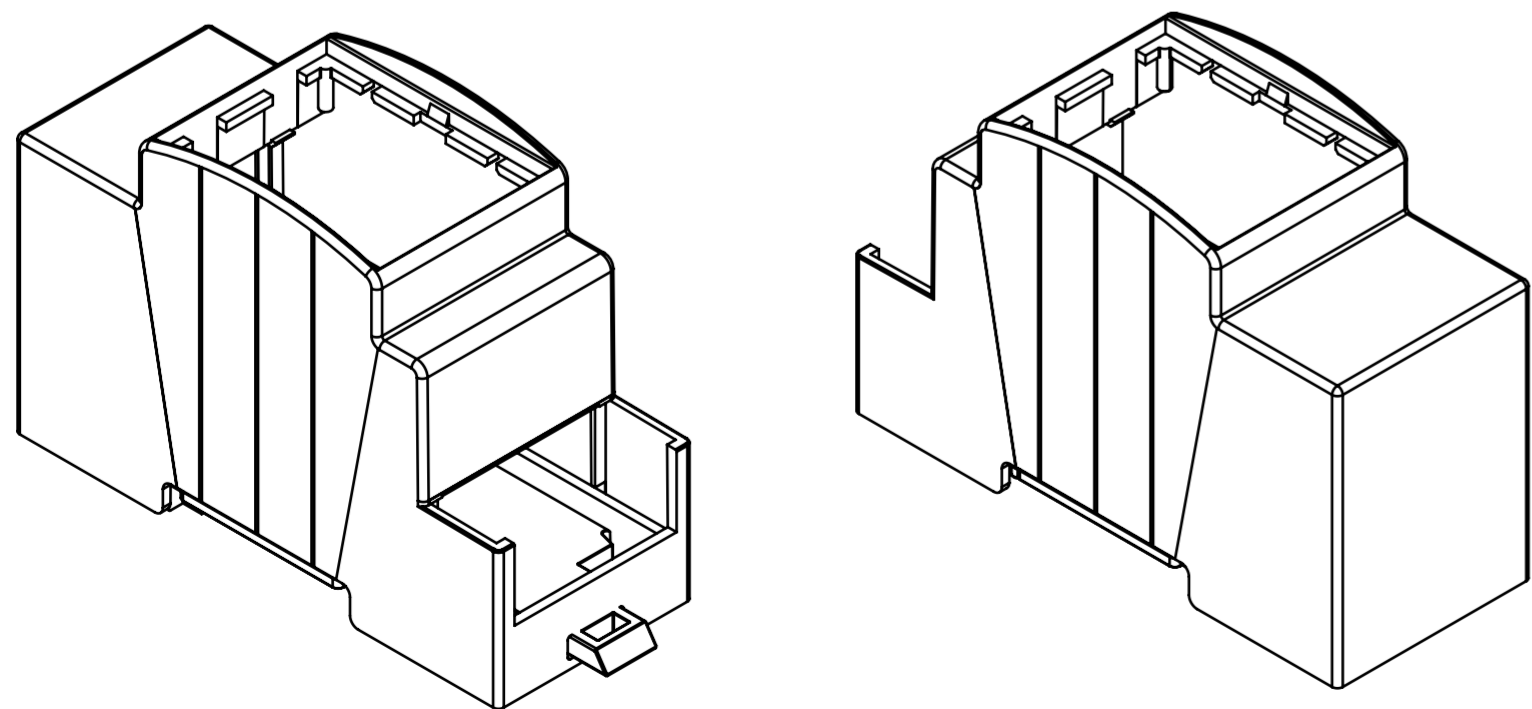
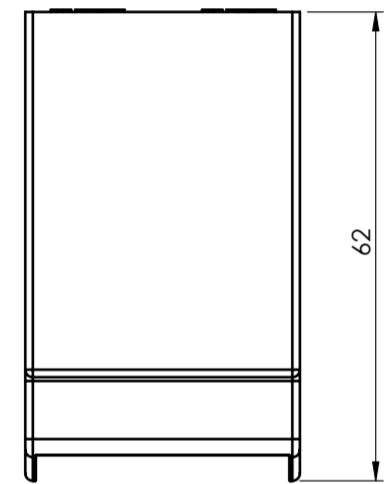
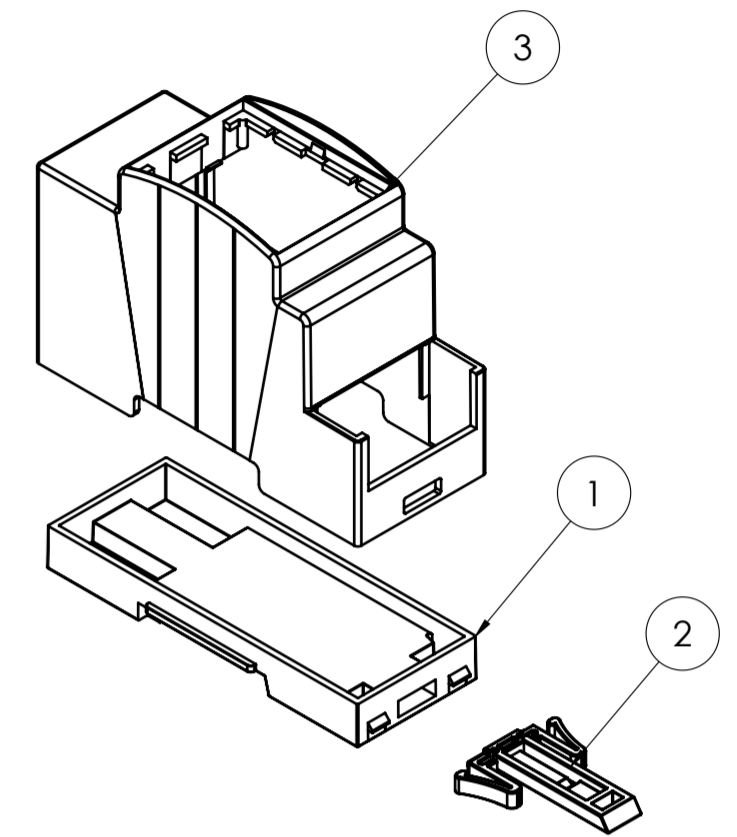
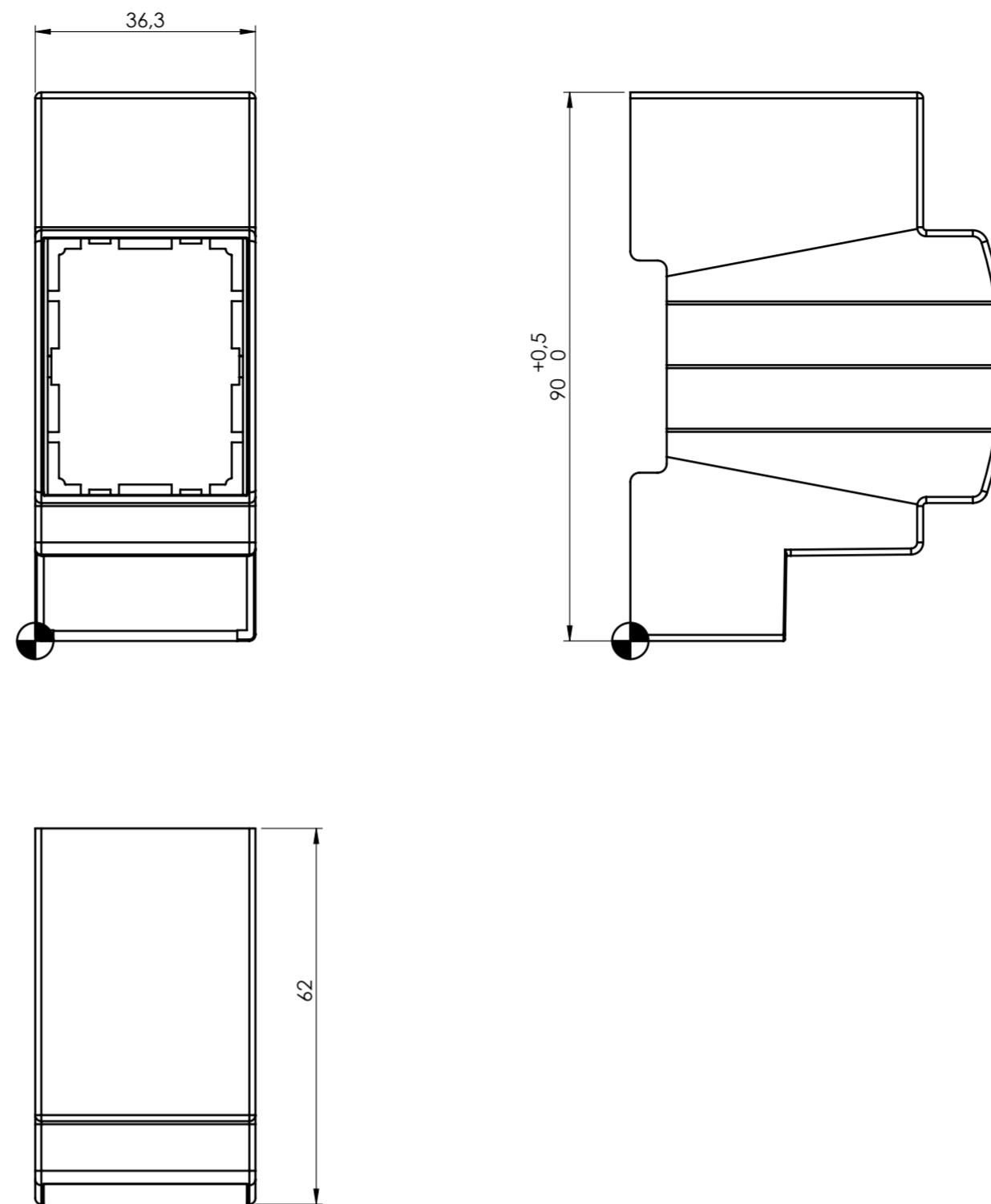


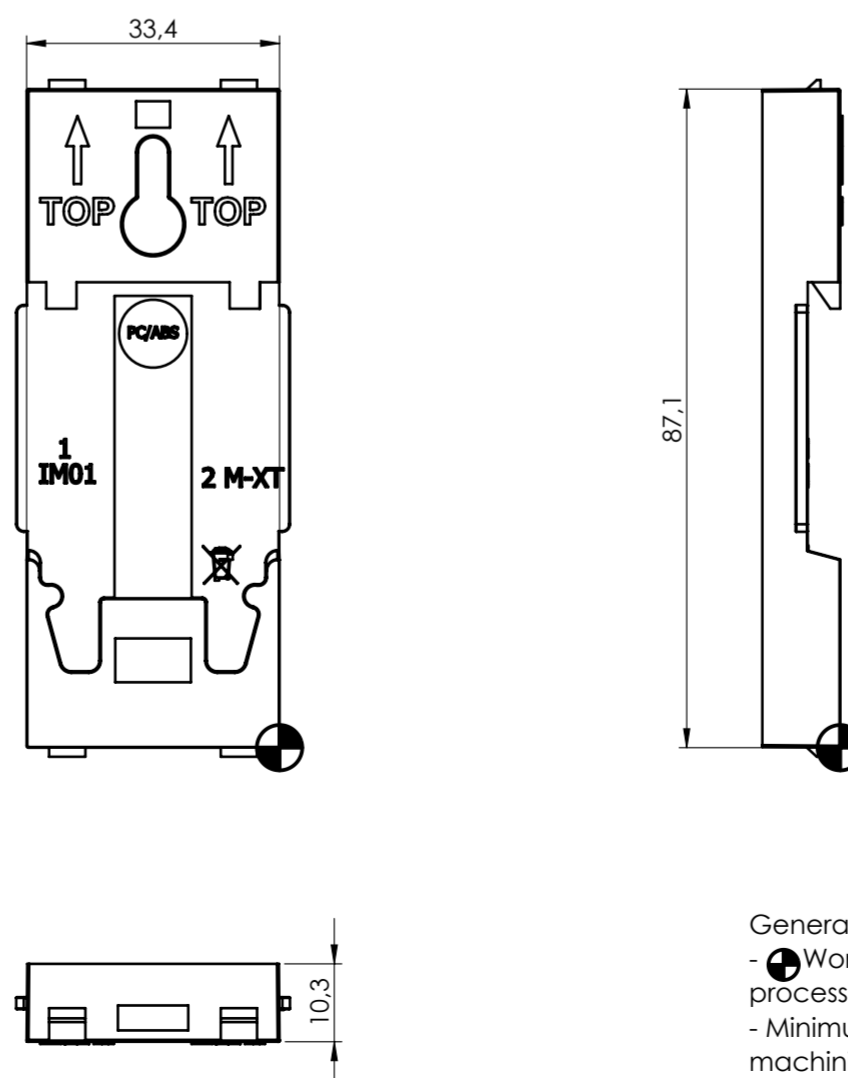
SECTION A-A



BODY ENCLOSURE

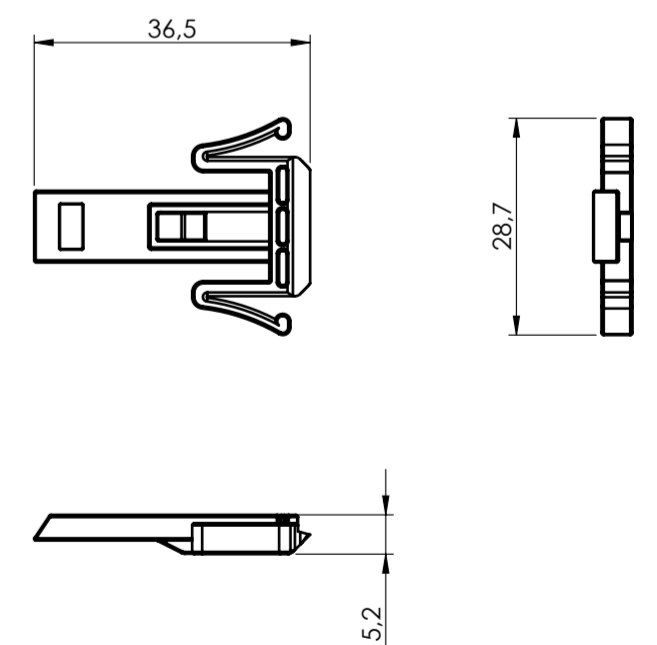


BASE



General information:  
 - Workpiece zero point for mechanical processing  
 - Minimum recommended radius for machining = R1.0 mm  
 - Mounting rail like EN 60715: TH 35-7.5 or TH 35-15  
 - Recommended PCB outline on [www.italtronic.com](http://www.italtronic.com)

HOOK

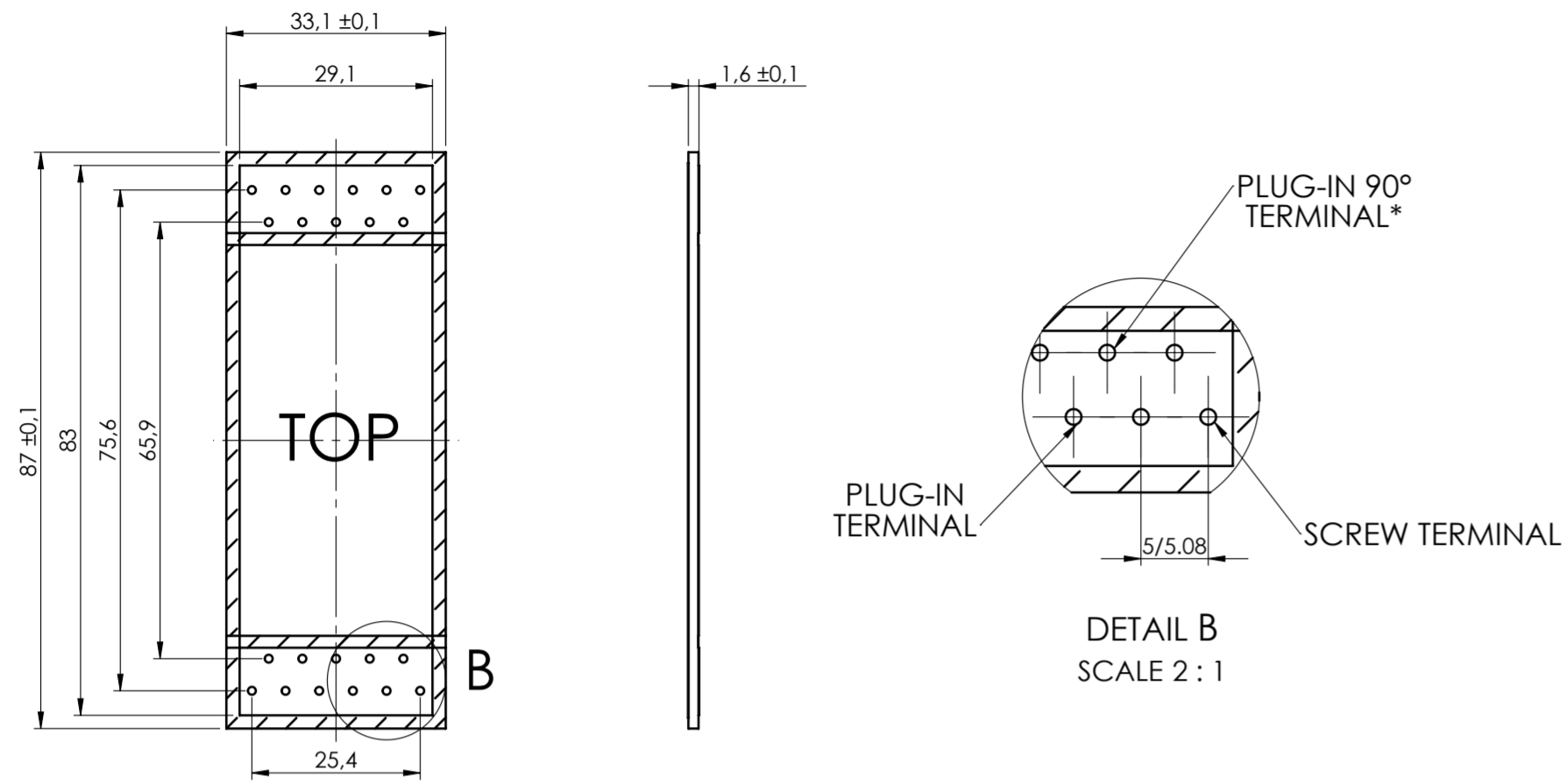


RIF.	Q.TY	DRAWING	DESCRIPTION
1	1	2_250_00139	BASE MODULBOX XT/XTS - 2M
2	1	2_250_00072	HOOK FOR MODULBOX XT-XTS
3	1	2_250_00047	BODY MODULBOX XTS 2MH53-B

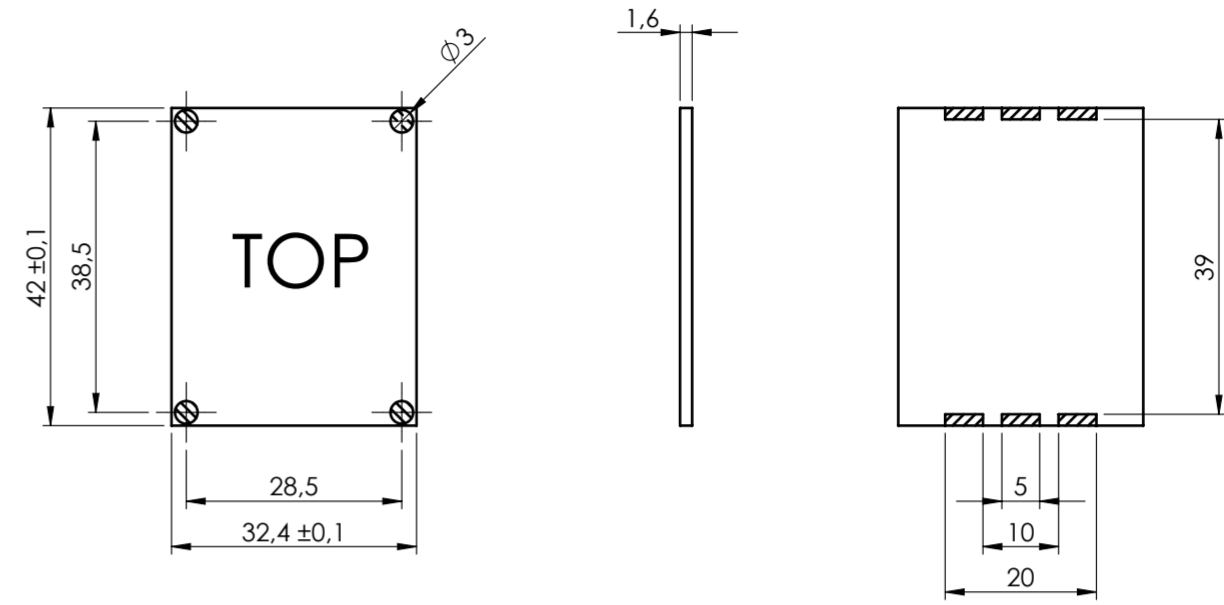
General Tolerance UNI EN 22768/1 Media (m)						Sheet:
from 0.5 to 3	from 3 to 6	from 6 to 30	from 30 to 120	from 120 to 400		1
± 0.1	± 0.1	± 0.2	± 0.3	± 0.5		
Scale:	IM:	Drawn:	Checked:	Date:	Material:	Process:
1:1	--	R.N.	R.N.	11/04/2023	--	--
Dimension in mm		Replaces the:		Derived from:	Weight:	Cod. Mold:
		M-04058-01		--	gr	--
<b>italtronic</b> enclosures for electronics <a href="http://italtronic.com">italtronic.com</a>						Description: KIT CONTENITORE MODULBOX XTS 2MH53-B KIT ENCLOSURE MODULBOX XTS 2MH53-B Drawing nr.: <b>3_250_00032</b>
						Rev.: - A2

### PCB A

Max height of the terminal:  
Modulbox XT/XTS: 18.5 mm  
Modulbox ONE: 20 mm

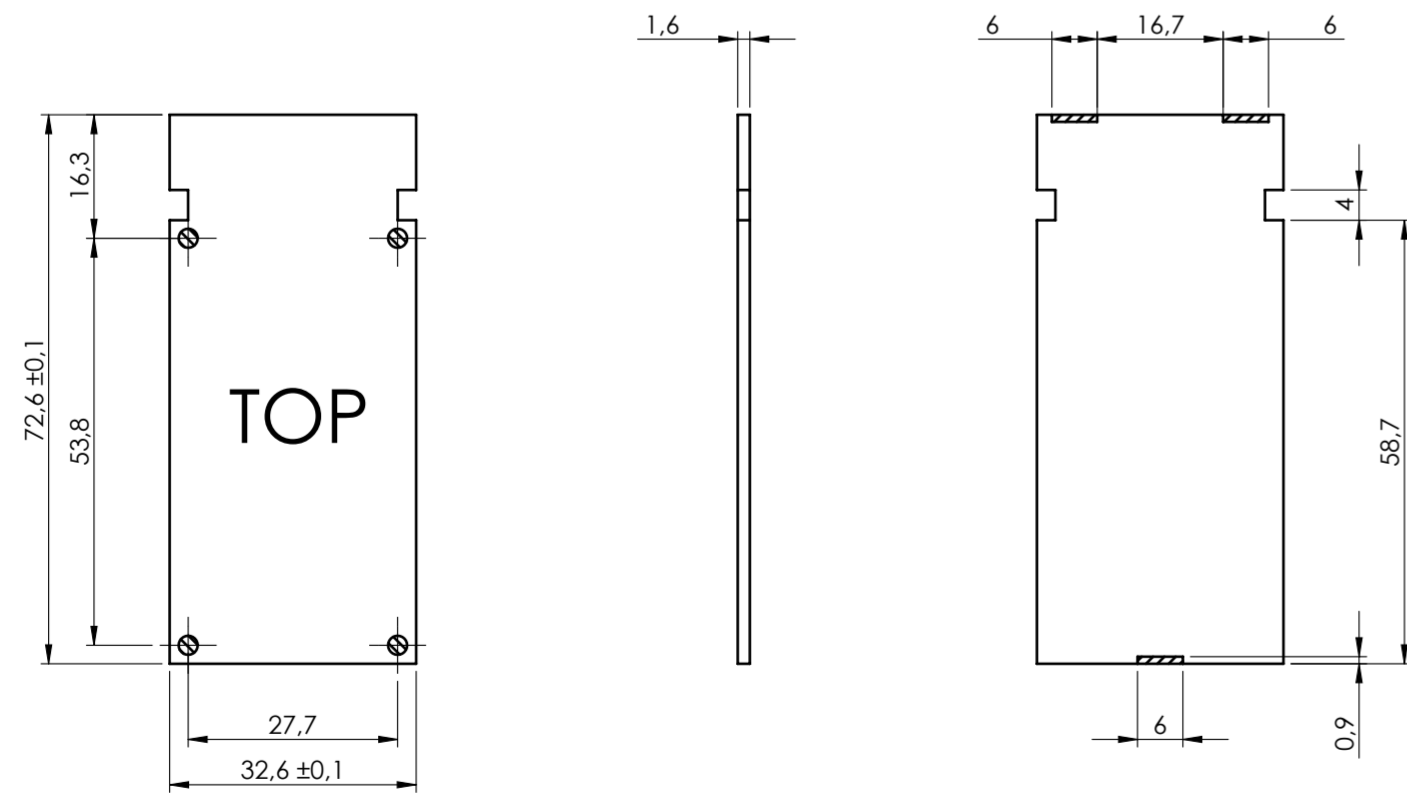


### PCB C

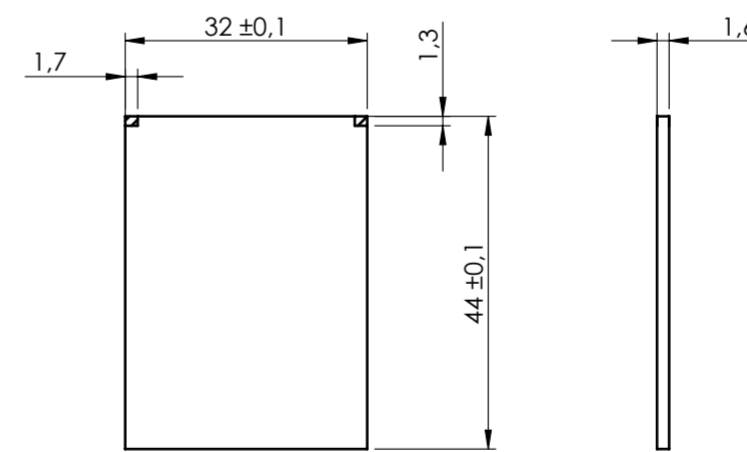


\*To use the PLUG-IN terminals in Modulbox ONE use plug-in adapter P05000003E (5/5.08 pitch) and P05000004E (7.5/7.62 pitch)

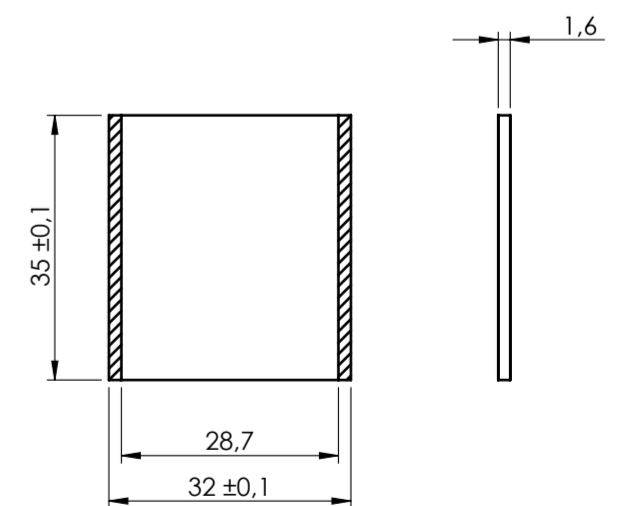
### PCB B




### PCB V2



### PCB V1



General Tolerance UNI EN 22768/1 Media (m)					Sheet:
from 0.5 to 3 ± 0.1	from 3 to 6 ± 0.1	from 6 to 30 ± 0.2	from 30 to 120 ± 0.3	from 120 to 400 ± 0.5	PCB
Scale:	IM:	Drawn:	Checked:	Date:	Material:
1:1	--	R.N.	R.N.	11/04/2023	Process:
Dimension in mm		Replaces the:		Derived from:	Weight:
		M-04058-01		--	gr
		Cod. Mold:		--	


 Description:  
 KIT CONTENITORE MODULBOX XTS 2MH53-B  
 KIT ENCLOSURE MODULBOX XTS 2MH53-B  
 Drawing nr.: **3\_250\_00032**  
 Rev.: - A2

 NO COMPONENTS AREA