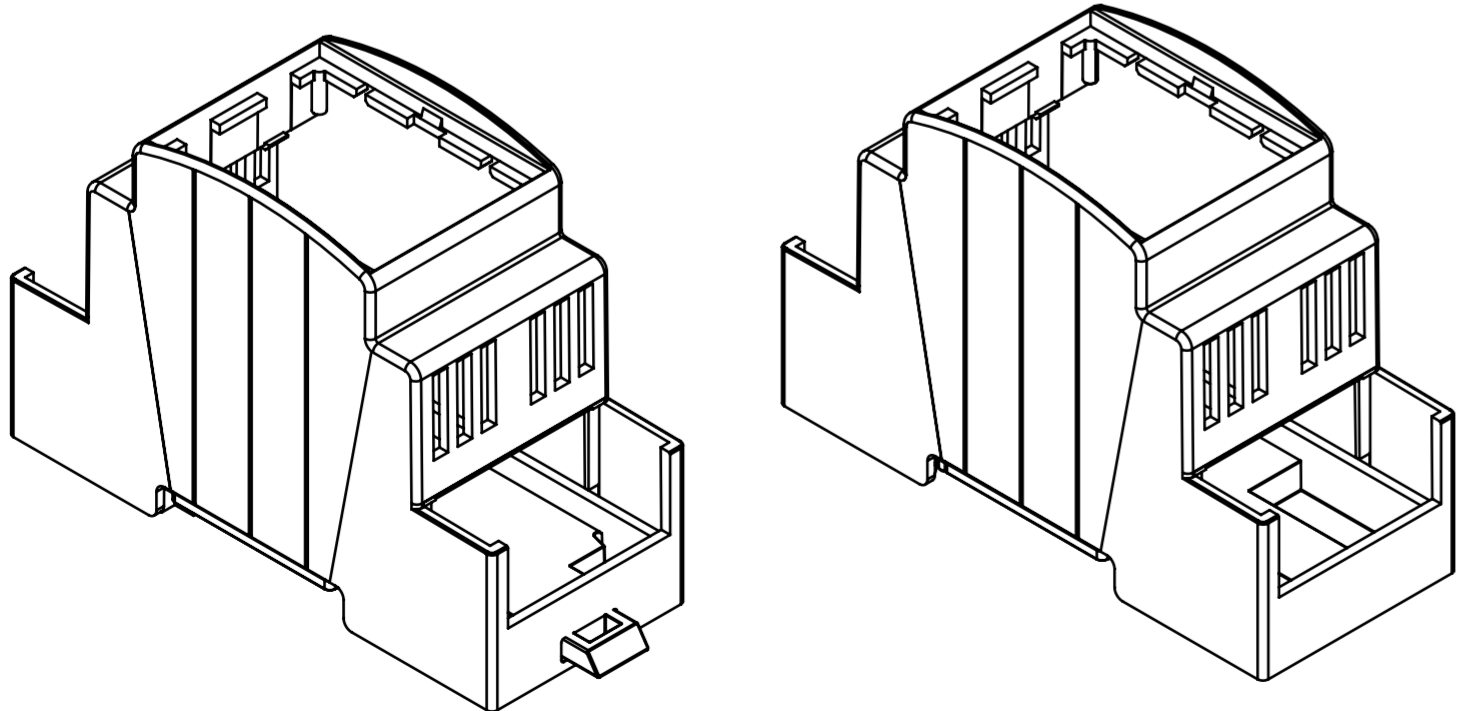
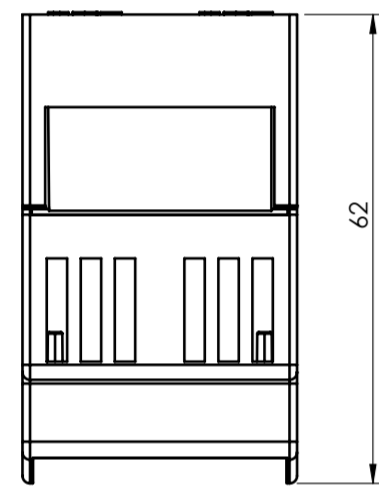
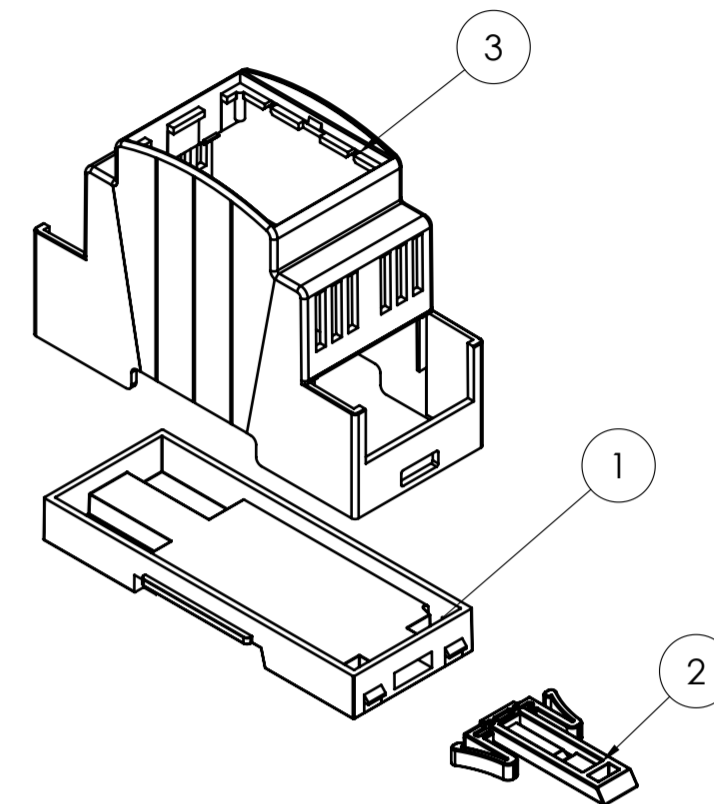
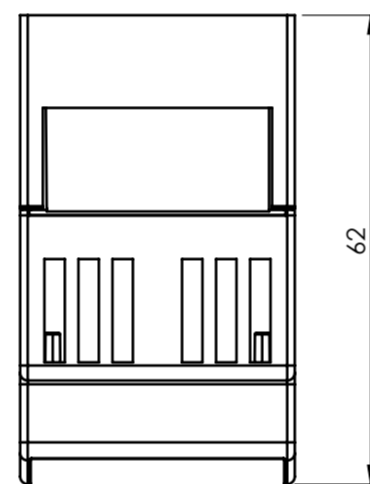
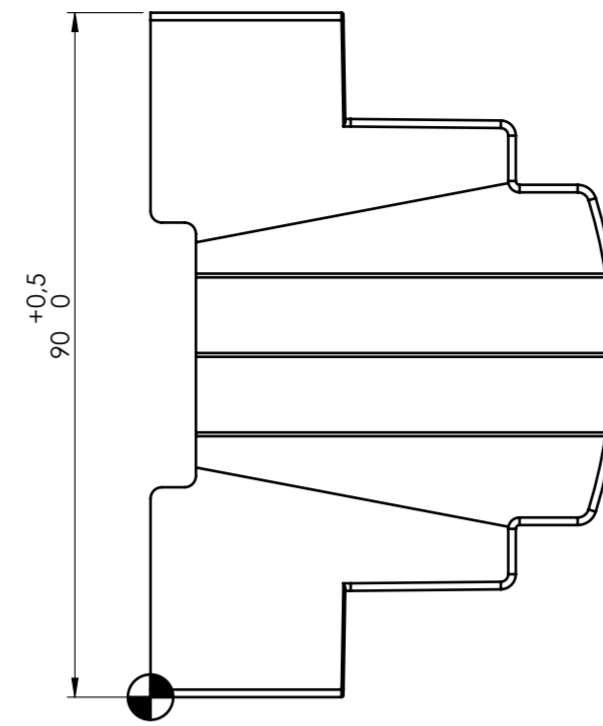
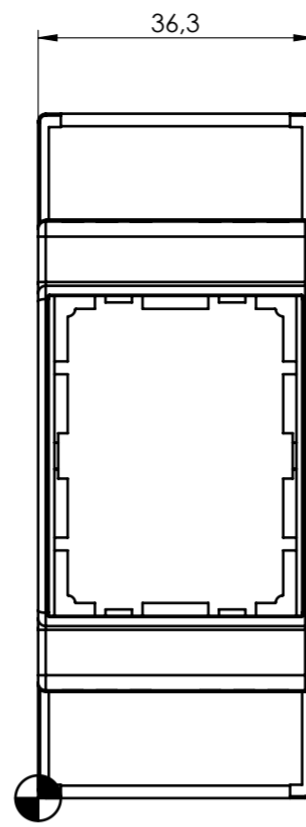


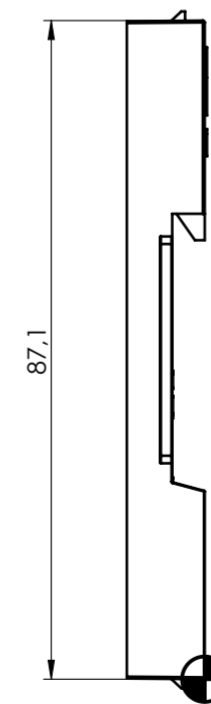
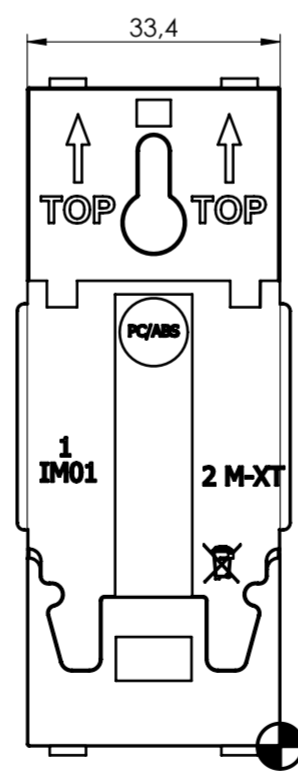
SECTION A-A



BODY ENCLOSURE

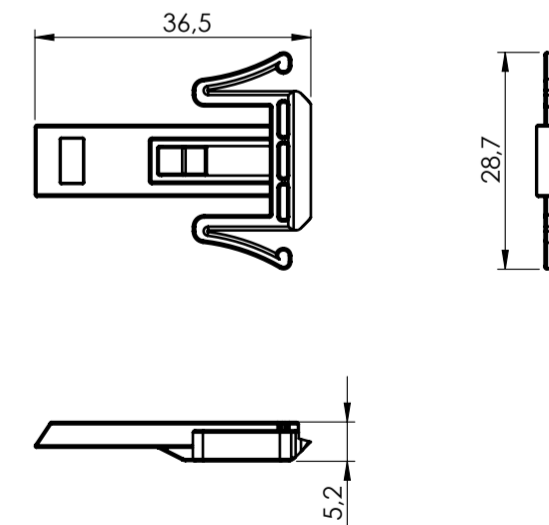


BASE



General information:
 - Workpiece zero point for mechanical processing
 - Minimum recommended radius for machining = R1.0 mm
 - Mounting rail like EN 60715: TH 35-7.5 or TH 35-15
 - Recommended PCB outline on www.italtronic.com

HOOK



RIF.	Q.TY	DRAWING	DESCRIPTION
1	1	2_250_00139	BASE MODULBOX XT/XTS - 2M
2	1	2_250_00072	HOOK FOR MODULBOX XT-XTS
3	1	2_250_00042	BODY MODULBOX XTS 2MH53V-A

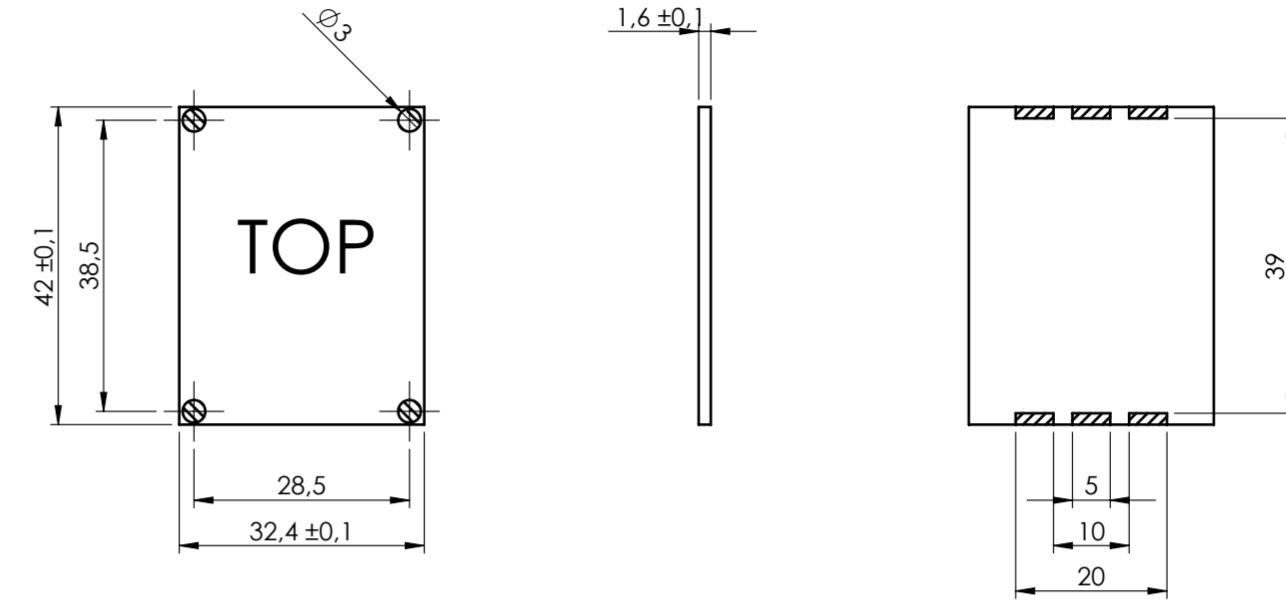
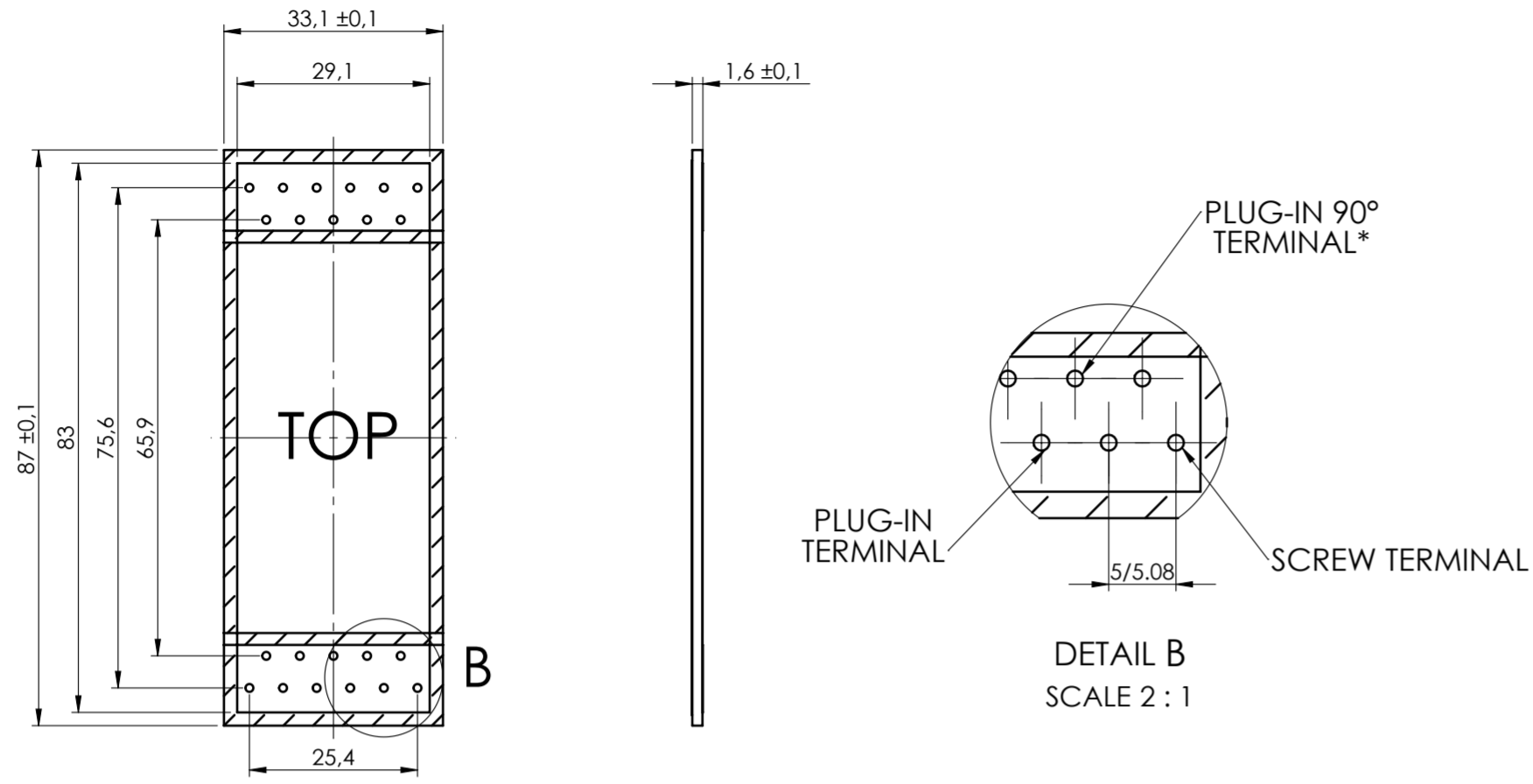
General Tolerance UNI EN 22768/1 Media (m)						Sheet:
from 0.5 to 3	from 3 to 6	from 6 to 30	from 30 to 120	from 120 to 400		1
± 0.1	± 0.1	± 0.2	± 0.3	± 0.5		
Scale:	IM:	Drawn:	Checked:	Date:	Material:	Process:
1:1	--	R.N.	R.N.	11/04/2023		
Description:		Replaces the:		Derived from:	Weight:	Cod. Mold:
M-04059-01		M-04059-01		--	gr	--

 enclosures for electronics italtronic.com		Description: KIT CONTENITORE MODULBOX XTS 2MH53V-A VENTILATO COMPLETE ENCLOSURE MODULBOX XTS 2MH53V-A WITH VENTS Drawing nr.: 3_250_00033	Rev.: 00 A2
--	--	--	-----------------------

PCB A

PCB C

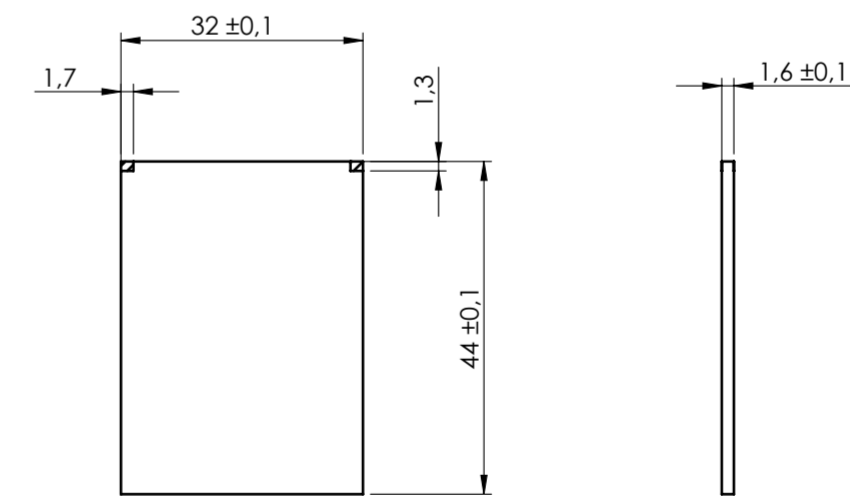
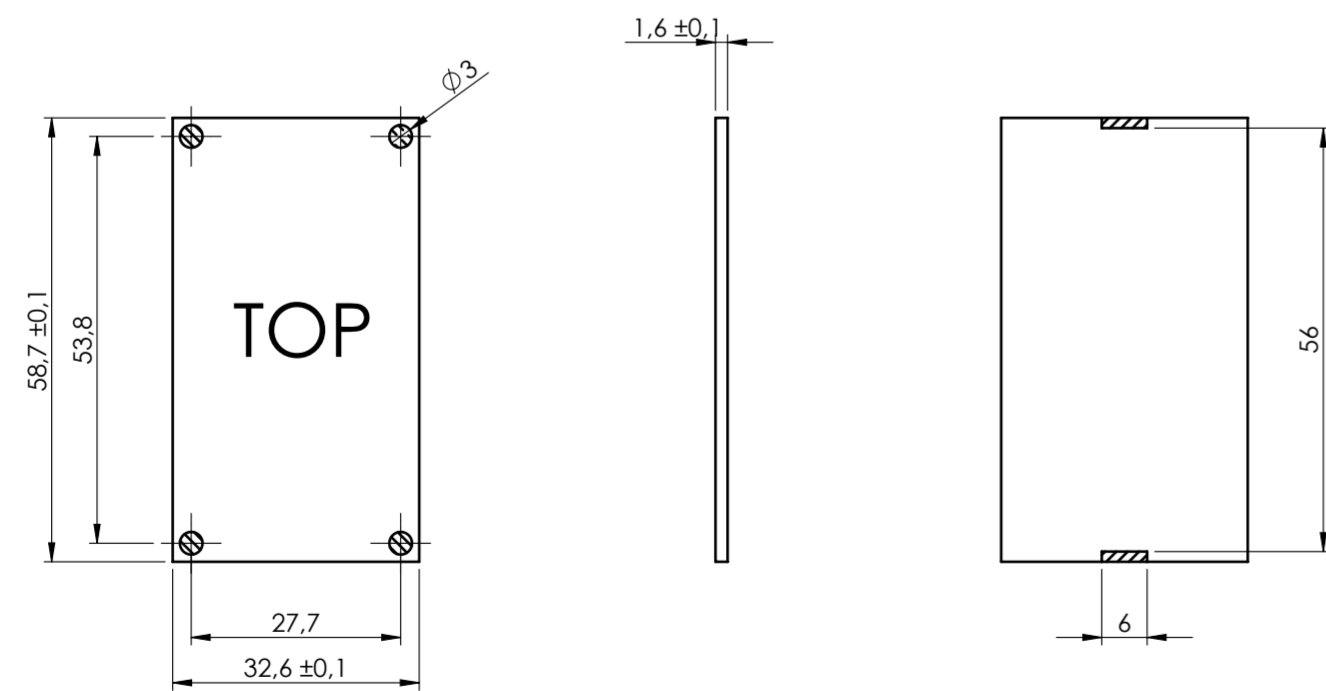
Max height of the terminal:
 Modulbox XT/XTS: 18.5 mm
 Modulbox ONE: 20 mm



*To use the PLUG-IN terminals in Modulbox ONE use plug-in adapter P05000003E (5/5.08 pitch) and P05000004E (7.5/7.62 pitch)

PCB B

PCB V2



General Tolerance UNI EN 22768/1 Media (m)					Sheet:
from 0.5 to 3 ± 0.1	from 3 to 6 ± 0.1	from 6 to 30 ± 0.2	from 30 to 120 ± 0.3	from 120 to 400 ± 0.5	PCB
Scale: 1:1	IM: --	Drawn: R.N.	Checked: R.N.	Date: 11/04/2023	Process:
Dimension in mm		Replaces the: M-04059-01		Weight: gr	Cod. Mold: --
Description: KIT CONTENITORE MODULBOX XTS 2MH53V-A VENTILATO COMPLETE ENCLOSURE MODULBOX XTS 2MH53V-A WITH VENTS Drawing nr.: 3_250_00033					Rev.: 00
					A2

NO COMPONENTS AREA