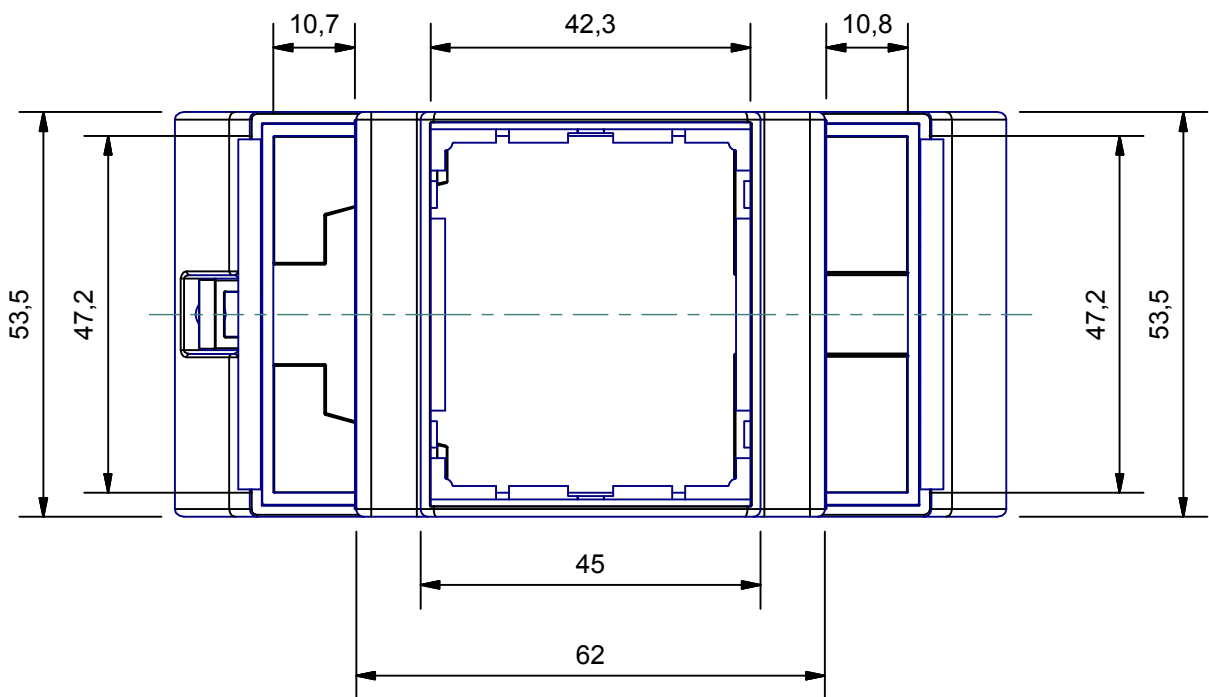
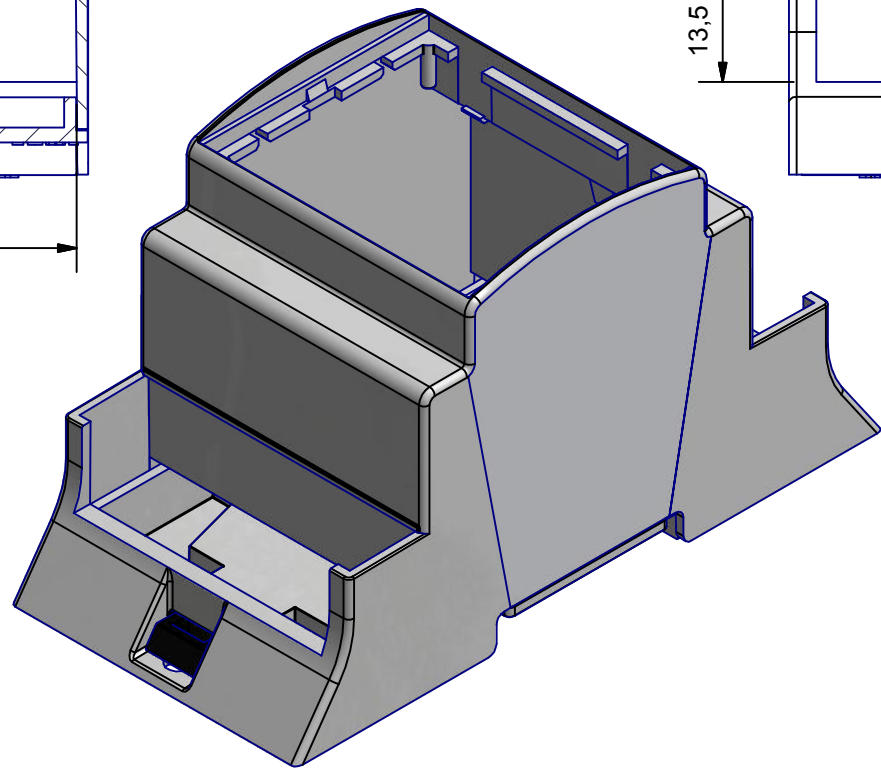
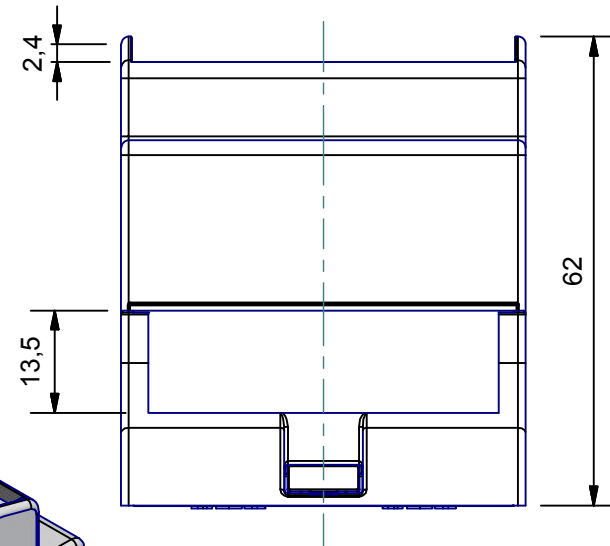
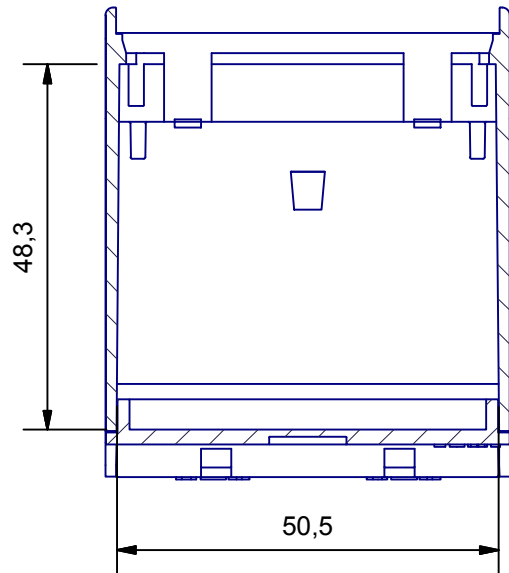
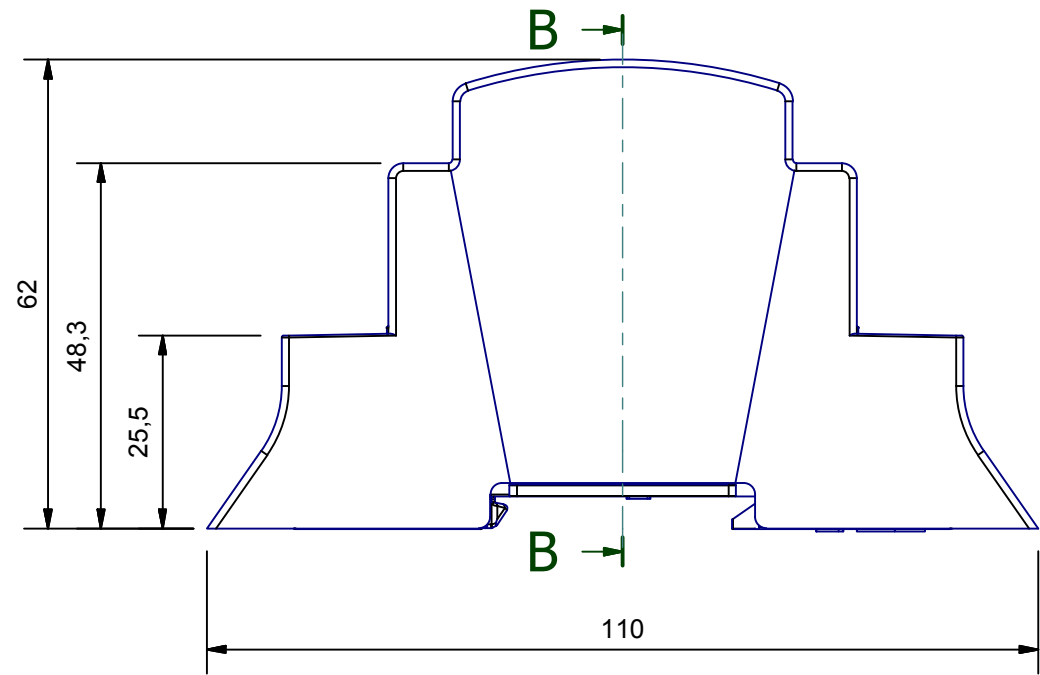


B-B (1:1)



COMPONENTS LIST			
RIF.	Q.TY	DESCRIPTION	CODE
1	1	BASE 3M XT	M-01982
2	1	AGGANCIO MODULBOX - HOOK MODULBOX	M-01900
3	1	CORPO CONTENITORE 3M53-A - BODY ENCLOSURE 3M53-A	M-02068

Da 0,5 a 3	Oltre 3 fino a 6	Oltre 6 fino a 30	Oltre 30 fino a 120	Oltre 120
± 0,1	± 0,1	± 0,2	± 0,3	± 0,5

RESERVED PROPERTY The present drawing cannot be reproduced or communicated to 3d parties, even partially, without the authorization of ITALTRONIC Srl. Italtronic reserves to protect its own rights according to the law.	Dimension in mm	SHEET NR.	DRAWING BY	GENERAL TOLERANCE UNI EN 22768/1 Media (m)
		1 / 1		
Date:	29/08/2012	Replace nr.		Revision description
Drawed:	Reginato M.	Checked:	Dalla Montà D.	

 UN PARTNER PER IL FUTURO 	Denomination:	Contentore completo modulbox XT 3M53-A
		Complete enclosure modulbox XT 3M53-A
	 ITALTRONIC S.R.L. VIA AUSTRIA 25/D 35127 PADOVA - ITALY www.italtronic.com	Drawing nr. M-04061-01

General revision and added table. 13/06/13 Rigato N.

5 4 3 2 1