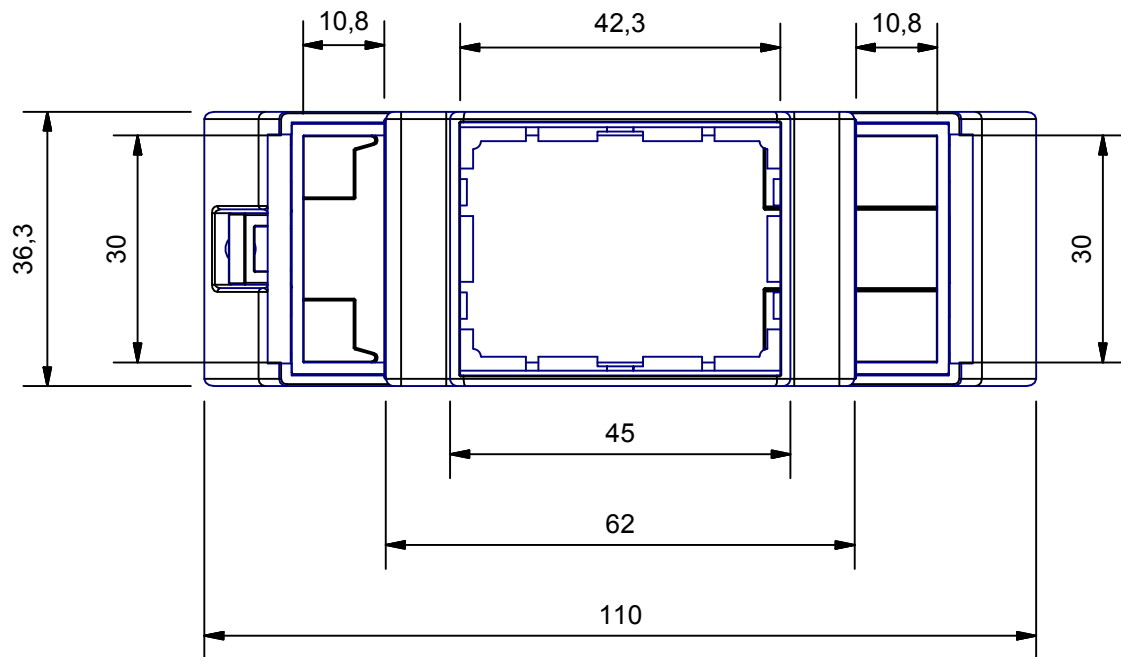
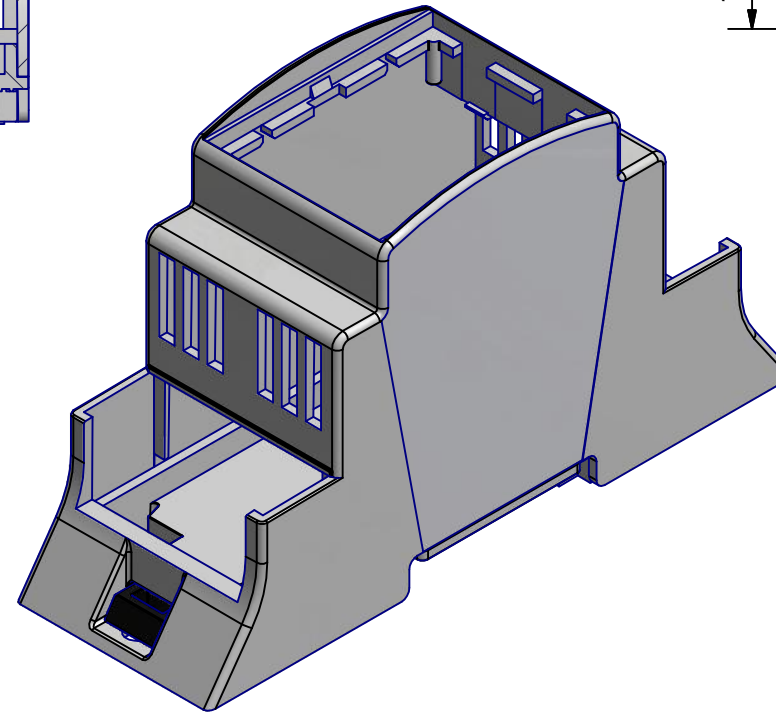
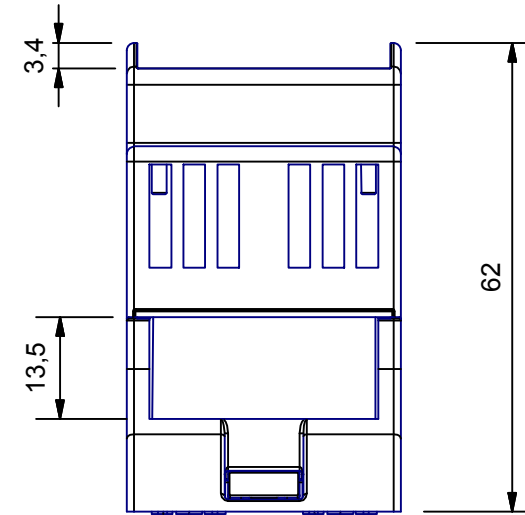
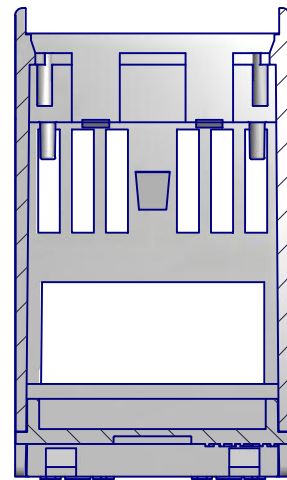
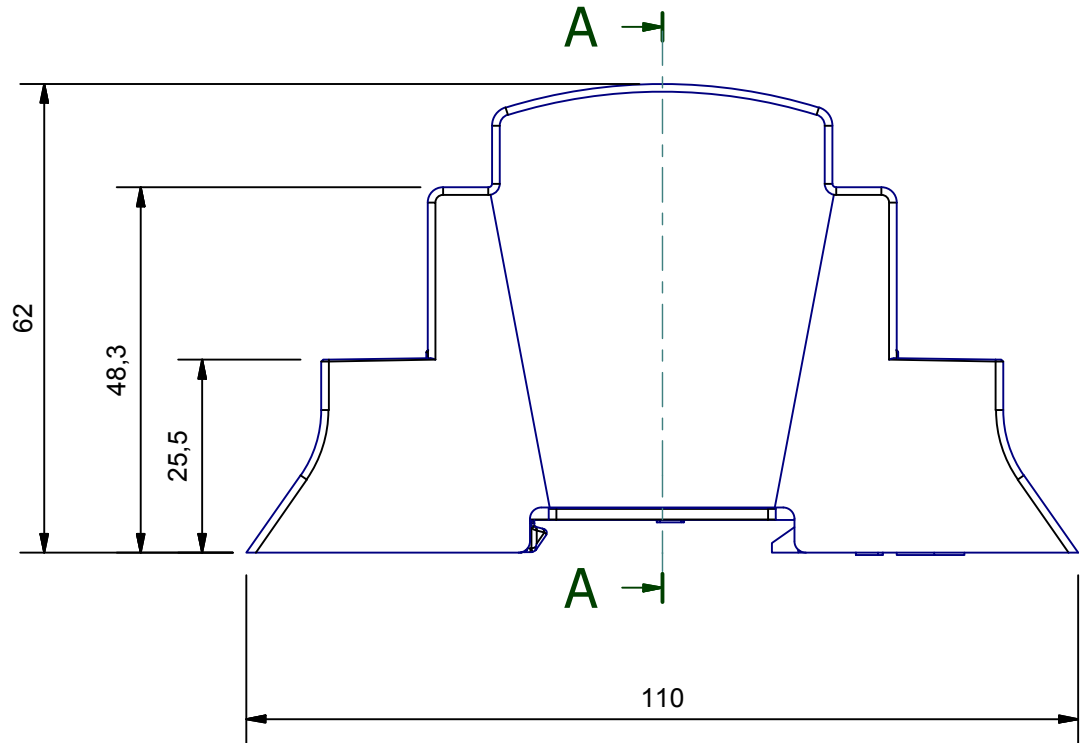


A-A (1:1)

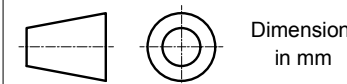


COMPONENTS LIST			
RIF.	Q.TY	DESCRIPTION	CODE
1	1	BASE 2M XT	M-01983
2	1	AGGANCIO MODULBOX - HOOK MODULBOX	M-01900
3	1	CORPO CONTENITORE 2MH53V-A - BODY ENCLOSURE 2MH53V-A	M-02062

Da 0,5 a 3	Oltre 3 fino a 6	Oltre 6 fino a 30	Oltre 30 fino a 120	Oltre 120
± 0,1	± 0,1	± 0,2	± 0,3	± 0,5

RESERVED PROPERTY

The present drawing cannot be reproduced or communicated to 3d parties, even partially, without the authorization of ITALTRONIC Srl. Italtronic reserves to protect its own rights according to the law.



Dimension in mm

SHEET NR.
1 / 1

DRAWING BY
GAD
Manual modification are not allowed

GENERAL TOLERANCE
UNI EN 22768/1
Media (m)

Date: 28/08/2012	Replace nr.	Revision description
Drawn: Reginato M.	Checked: Dalla Montà D.	

UN PARTNER PER IL FUTURO

Denomination:

Contenitore completo modulbox XT 2MH53V-A ventilato

Complete enclosure modulbox XT 2MH53V-A with vents

VIA AUSTRIA 25/D 35127
PADOVA - ITALY
www.italtronic.com

Drawing nr.

M-04052-01

General revision and added table. 13/06/13 Rigato N.

5 4 3 2 1