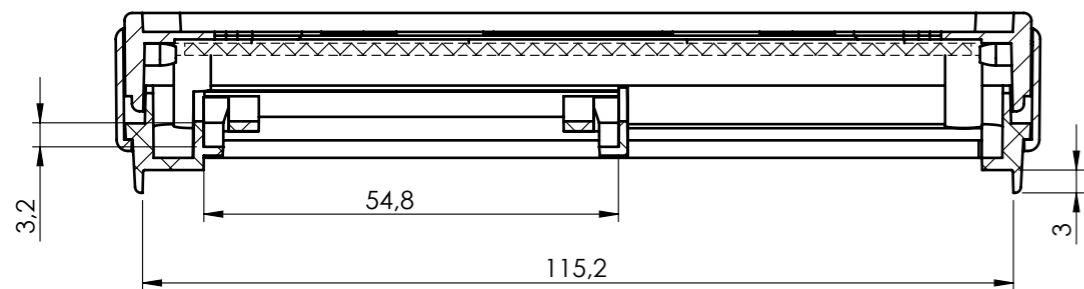
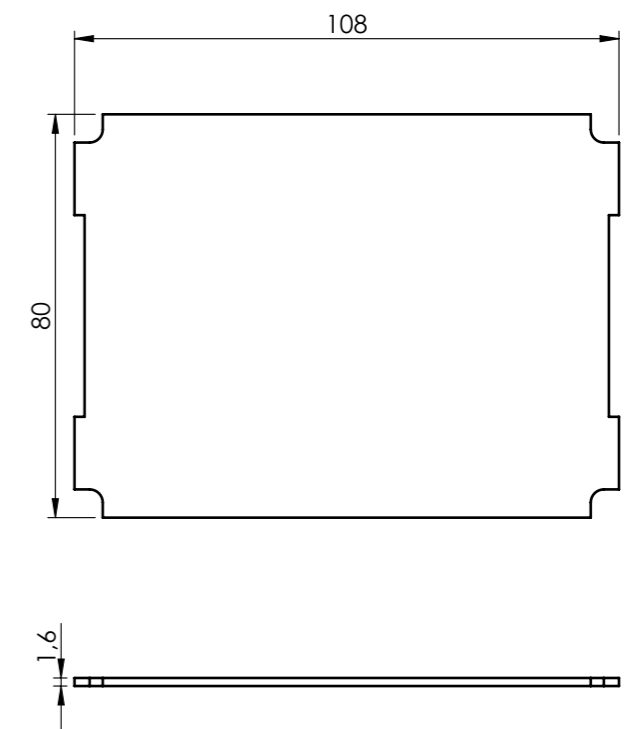
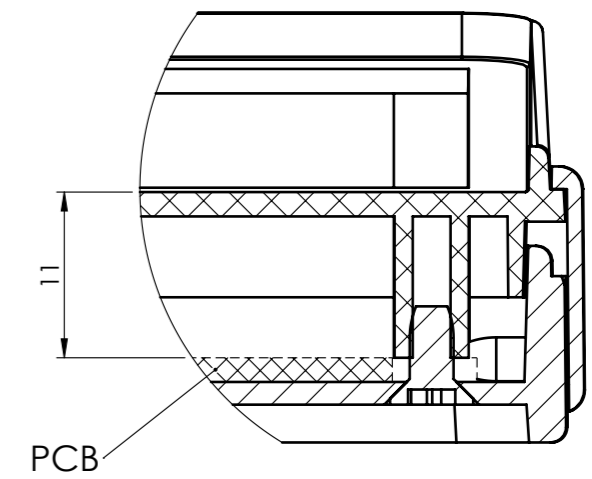
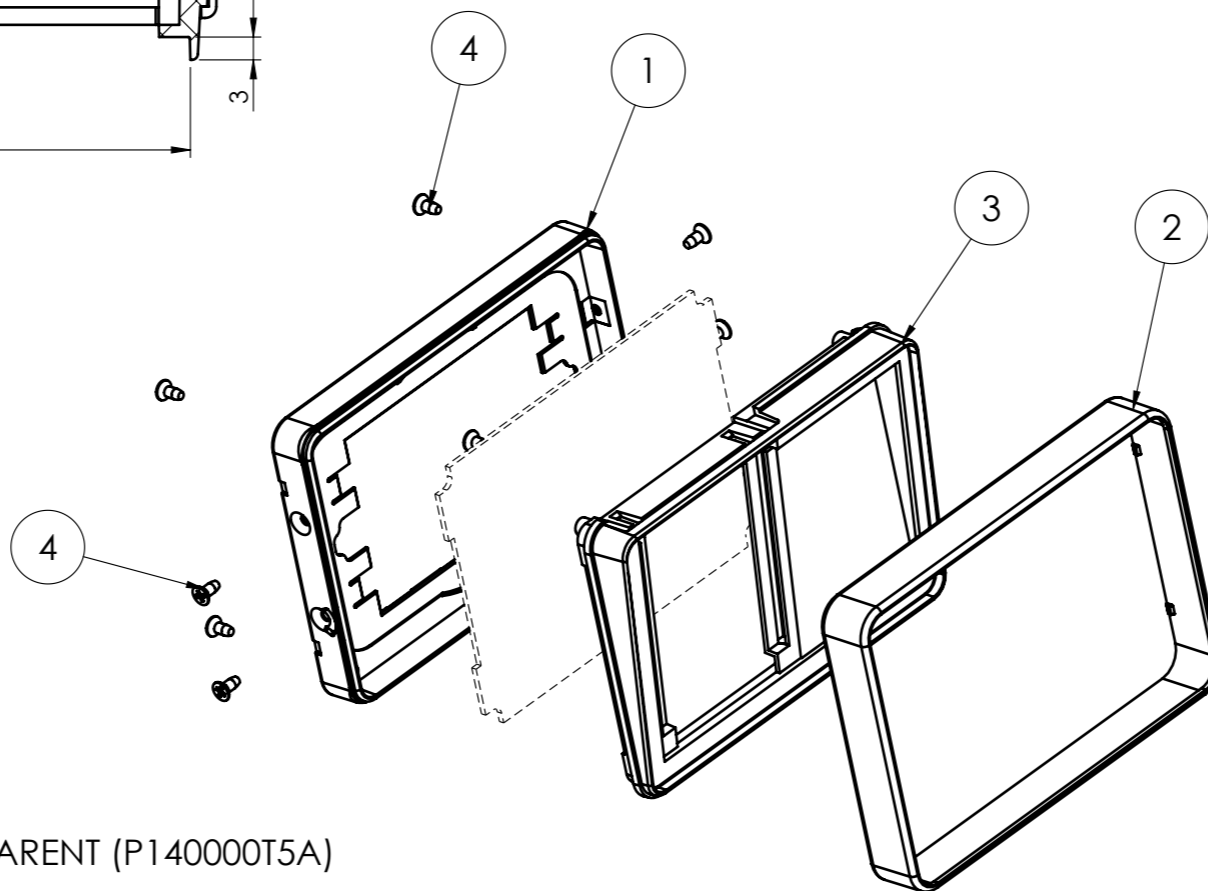


SECTION B-B



SECTION A-A



RIF.	Q.TY	DRAWING	DESCRIPTION
1	1	2_010_00036	ITOUCH BASE 80X120 H10
2	1	2_010_00037	RING ITOUCH ISHAPE H15
3	1	2_010_00038	FRAME FOR BASE H10 INSERTER
4	8	8_100_00025	SCREW d 2,9 x 6,5 TS+

General Tolerance UNI EN 22768/1 Media (m)					Sheet:
from 0.5 to 3 ± 0.1	from 3 to 6 ± 0.1	from 6 to 30 ± 0.2	from 30 to 120 ± 0.3	from 120 to 400 ± 0.5	1
Scale: 1:1	Drawed: R.N.	Checked: R.N.	Date: 24/03/2023	Material:	Process:
Dimension in mm	The present drawing cannot be reproduced or communicated to 3rd parties, even partially, without the authorization of ITALTRONIC S.p.A. Italtronic reserves to protect its own rights according to the law.			Weight: gr	Cod. Mold: --

 enclosures for electronics italtronic.com		Description: KIT CONTENITORE H10 CON INSERTORE CARD E ANELLO CORNICE KIT ENCLOSURE H10 WITH CARD INSERTER AND FRAME RING	Drawing nr.: <b>3_010_00014</b>	Rev.: 00	A3
--	--	--	------------------------------------	-------------	----

RECOMMENDED ADHESIVE 3M VHB 9473 PC TRANSPARENT (P140000T5A)