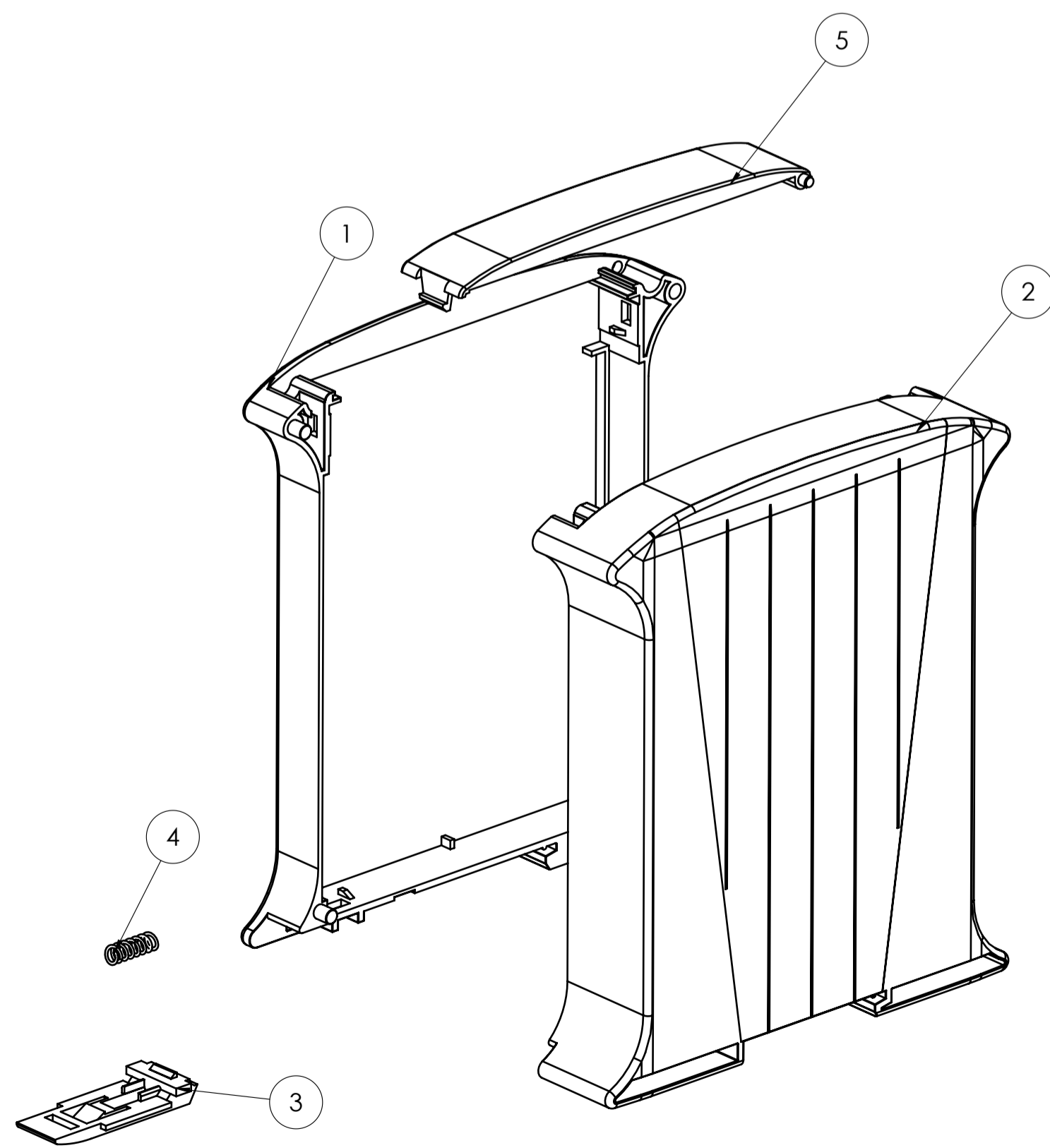
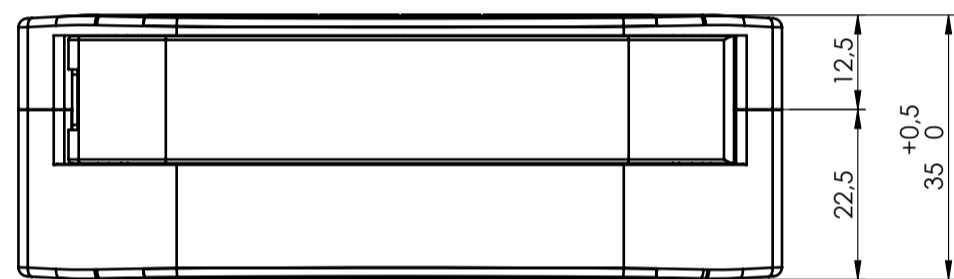
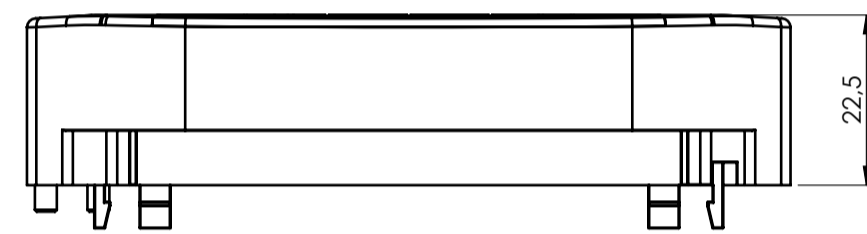
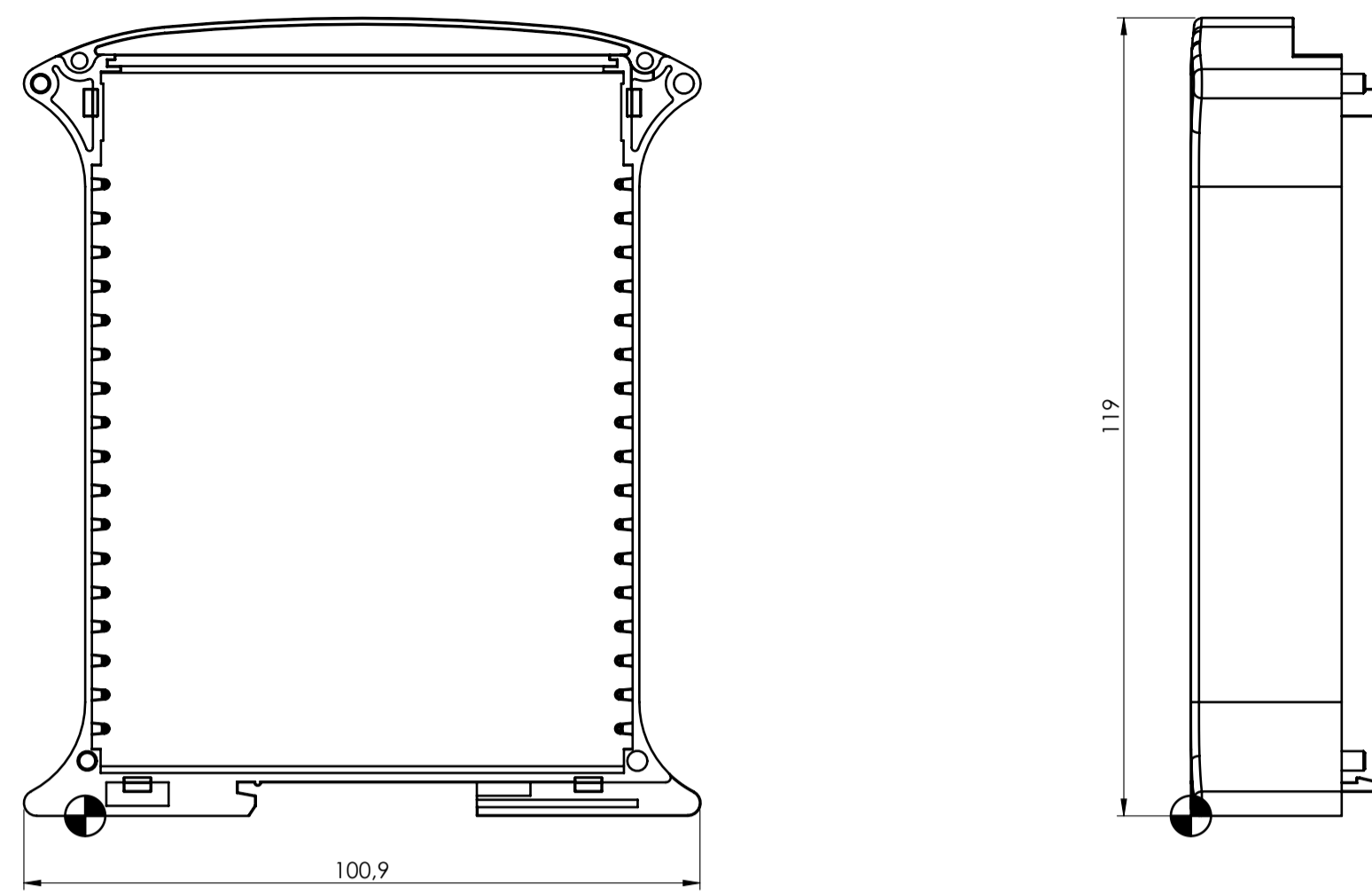


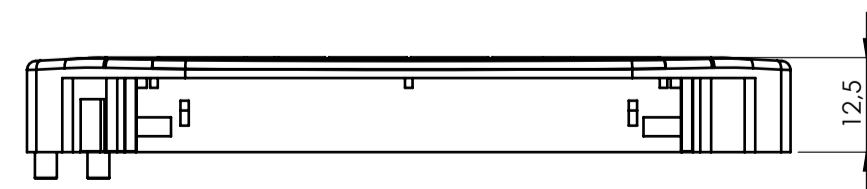
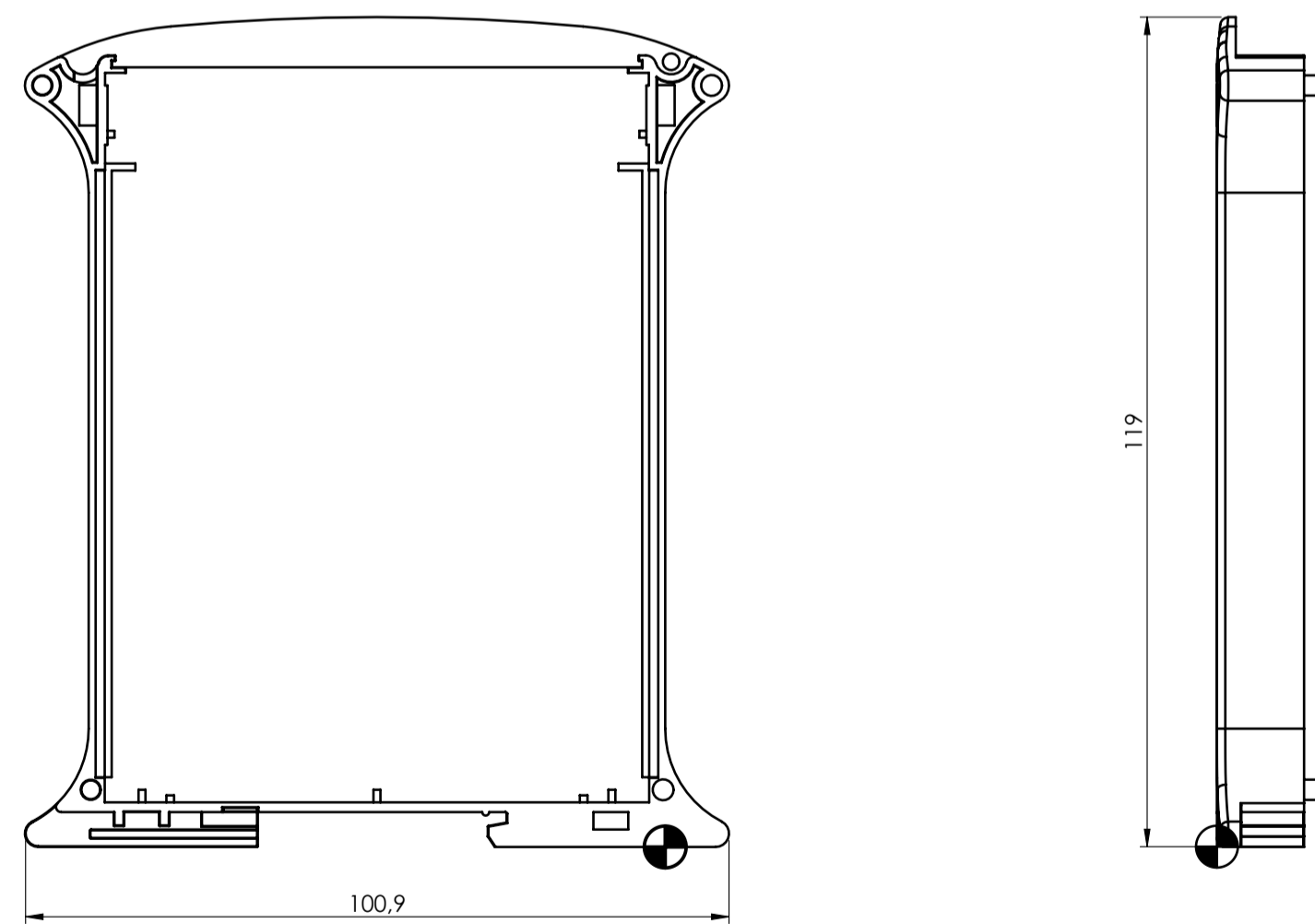
SECTION A-A



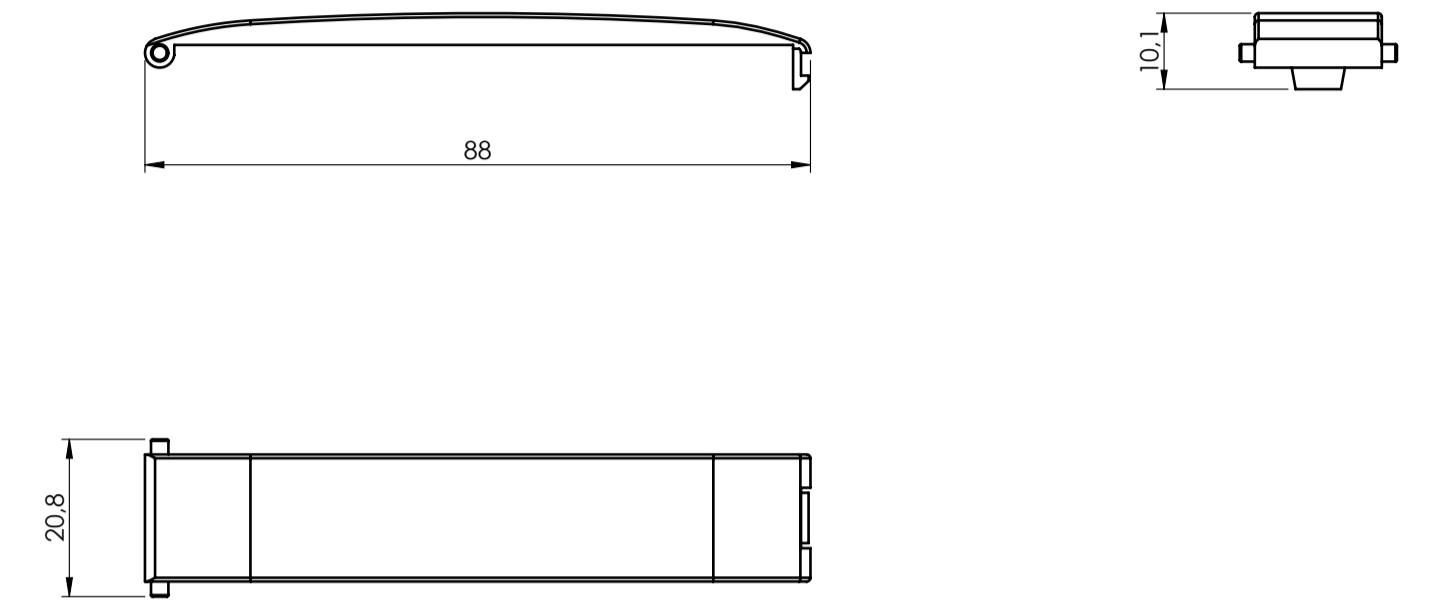
COVER RAILBOX



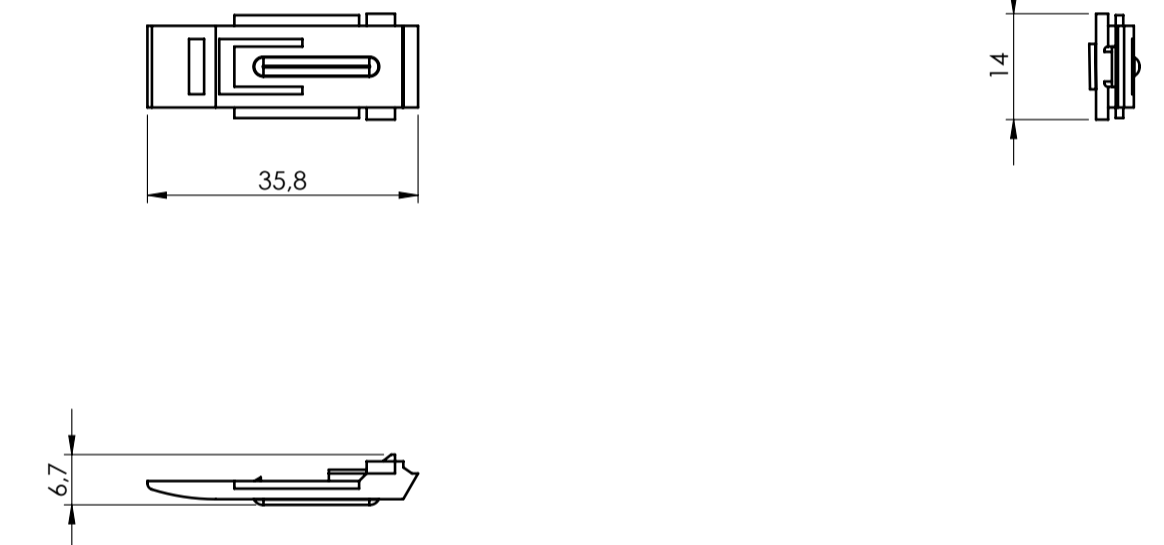
BASE RAILBOX



HINGED PANEL

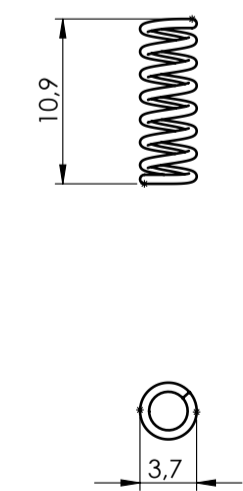


HOOK



SPRING

2:1



General information:
 - Workpiece zero point for mechanical processing
 - Minimum recommended radius for machining = R1.0 mm
 - Mounting rail like EN 60715: TH 35-15
 - Recommended PCB outline on www.italtronic.com

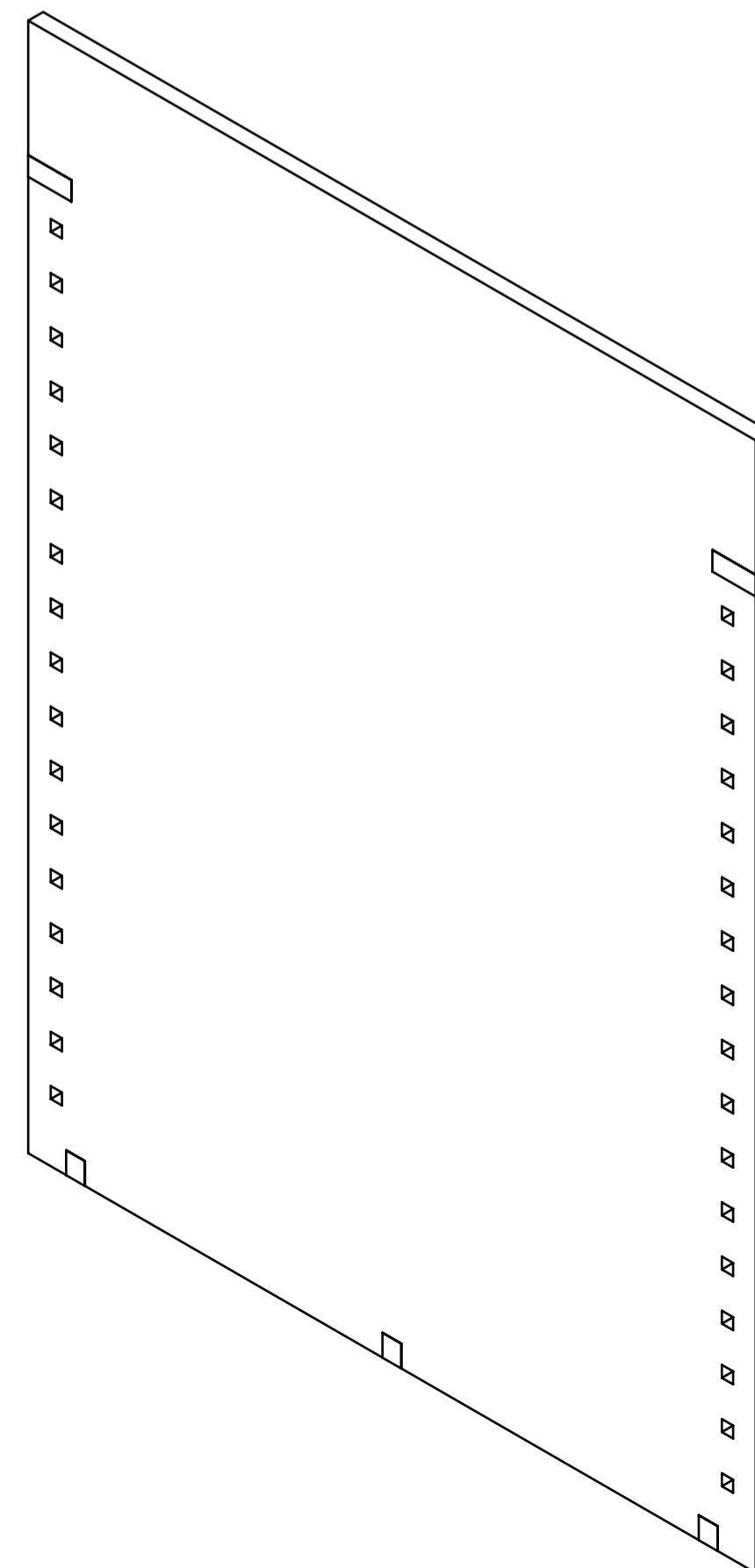
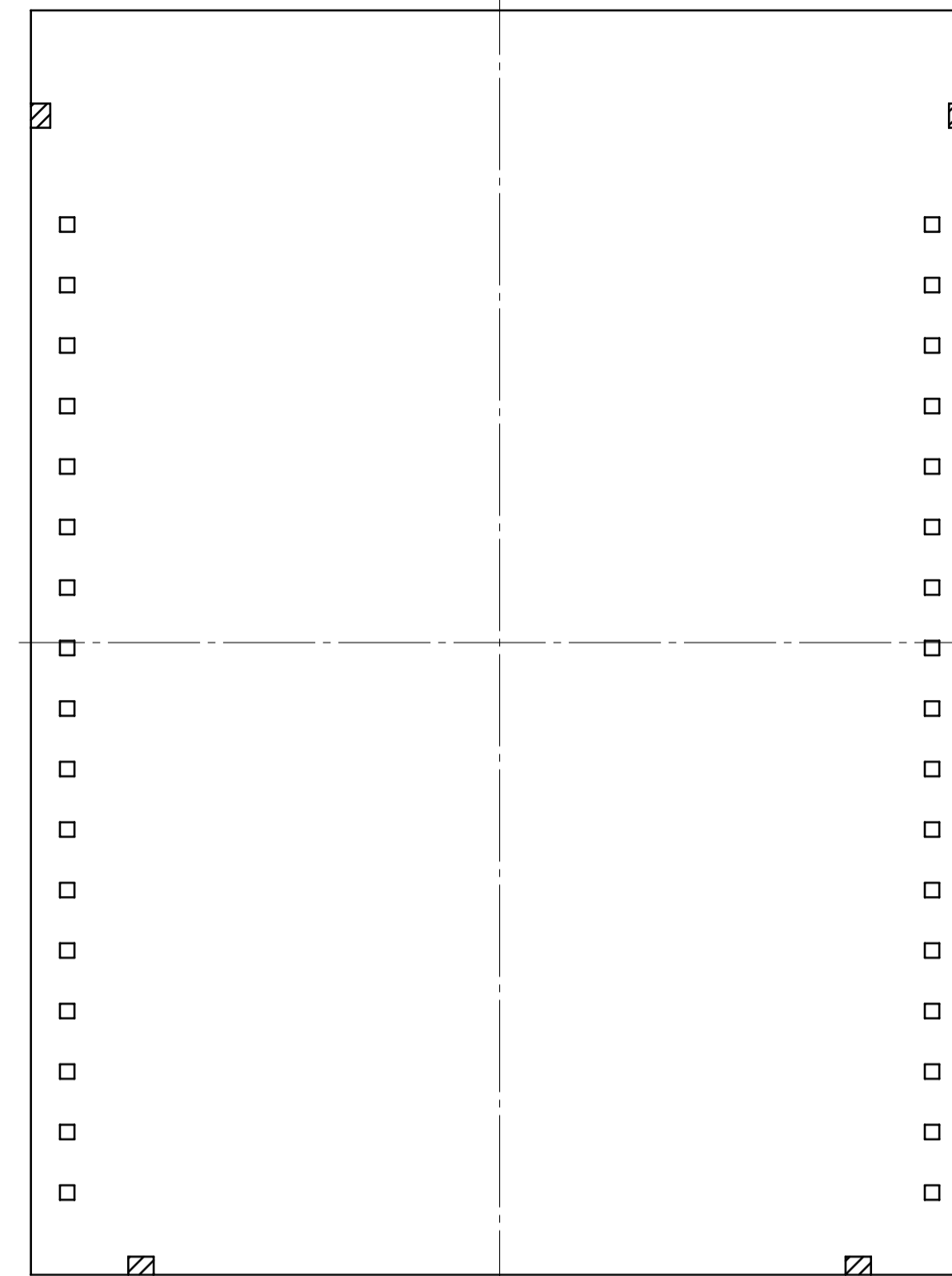
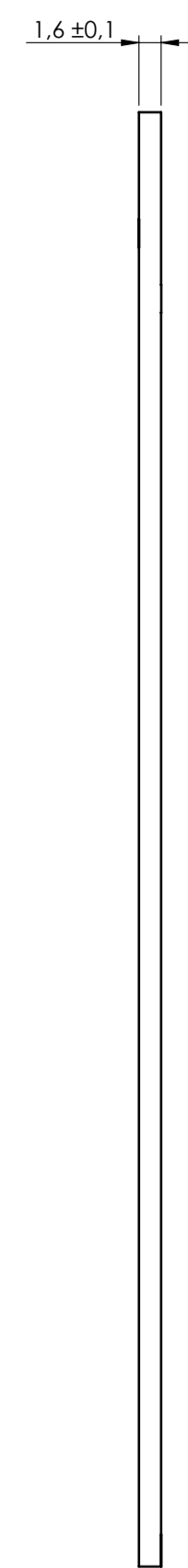
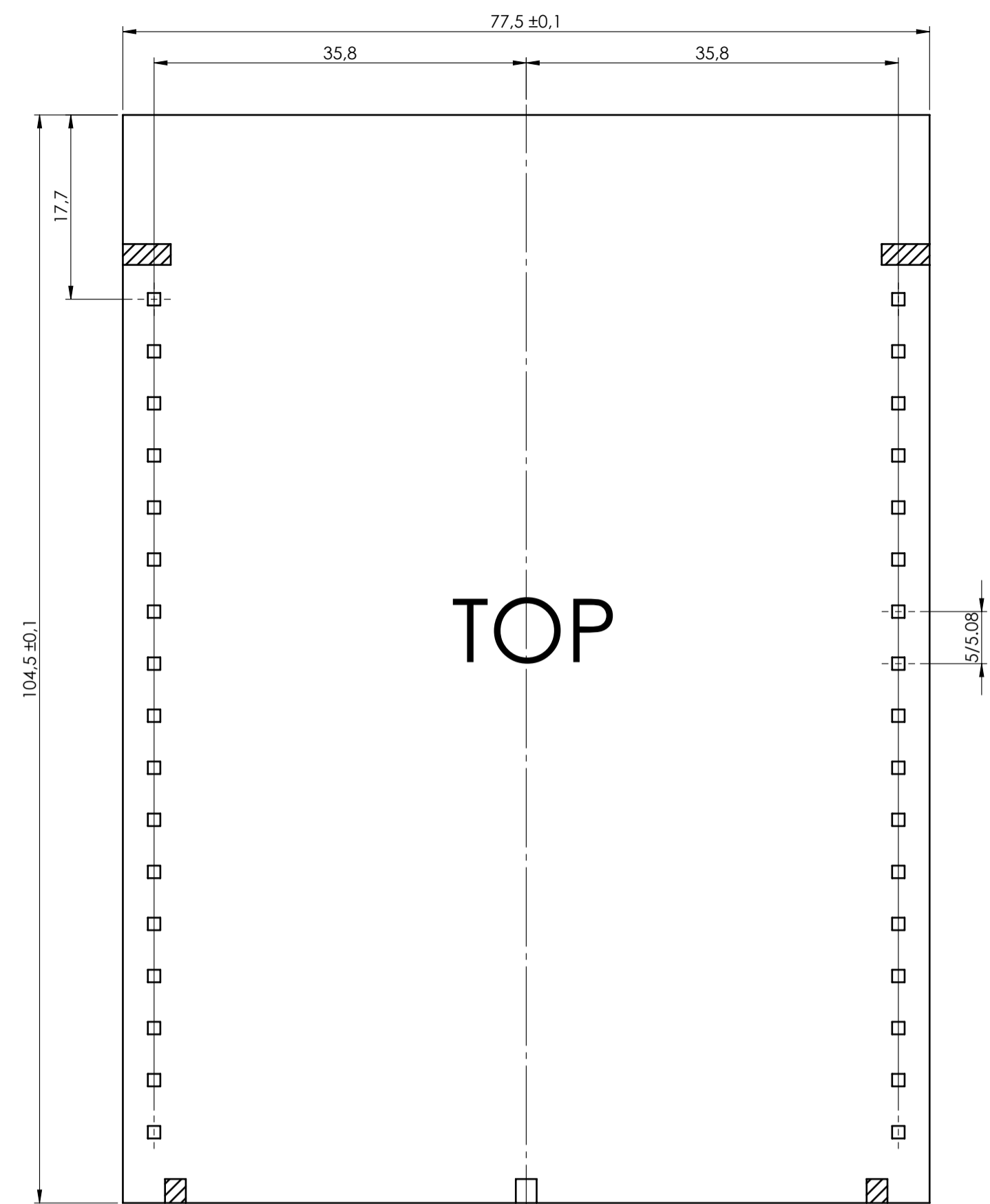
REF.	Q.TY	DRAWING	DESCRIPTION
1	1	2_110_00109	BASE RAILBOX STANDARD 12.5 MM CLOSED
2	1	2_110_00110	COPERCHIO RAILBOX STANDARD 22.5 MM CLOSED
3	1	2_110_00032	HOOK RAILBOX
4	1	2_110_00011	SPRING FOR HOOK RAILBOX
5	1	2_110_00072	FRONT HINGED TRANSPARENT PANEL 17 MM

General Tolerances (UNE EN 22768/1 Modulo 1mm)			
from 0.5 to 3	from 3 to 6	from 6 to 30	from 30 to 120
±0.1	±0.1	±0.2	±0.3

Scale:	Drawn:	Checked:	Date:	Material:	Process:
1:1	M.S.	R.N.	02/11/2023		

Dimension in mm	Description:	Weight:	Cod. Mold:
	RAILBOX STANDARD 35 MM CHIUSO	gr	--

italtronic	enclosures for electronics	Drawing nr.:	Rev.:
italtronic.com		3_110_00024	00 A1



General Tolerance IRI EN 22768 / I Media [m]					Sheet:
from 0.5 to 3 ± 0.1	from 3 to 6 ± 0.1	from 6 to 30 ± 0.2	from 30 to 120 ± 0.3	from 120 to 400 ± 0.5	PCB
Scale:	1W:	Drawn:	Checked:	Date:	Process:
2:1	--	M.S.	R.N.	02/11/2023	--
Dimension in mm	--	Replaces the:	Derived from:	Weight:	Cod. Mold:
--	--	R-05230-00	--	gr	--
Description:					Rev.:
RALBOX STANDARD 35 MM CHIUSO					00
Drawing nr.:					A1
3_110_00024					
italtronic					
enclosures for electronics					
italtronic.com					