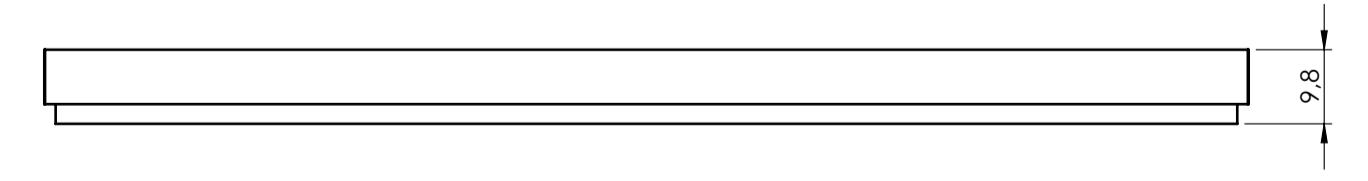
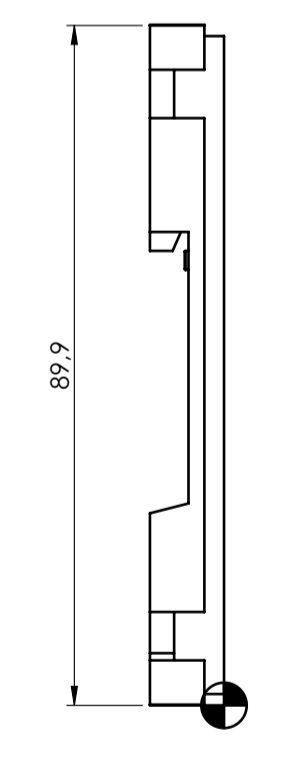
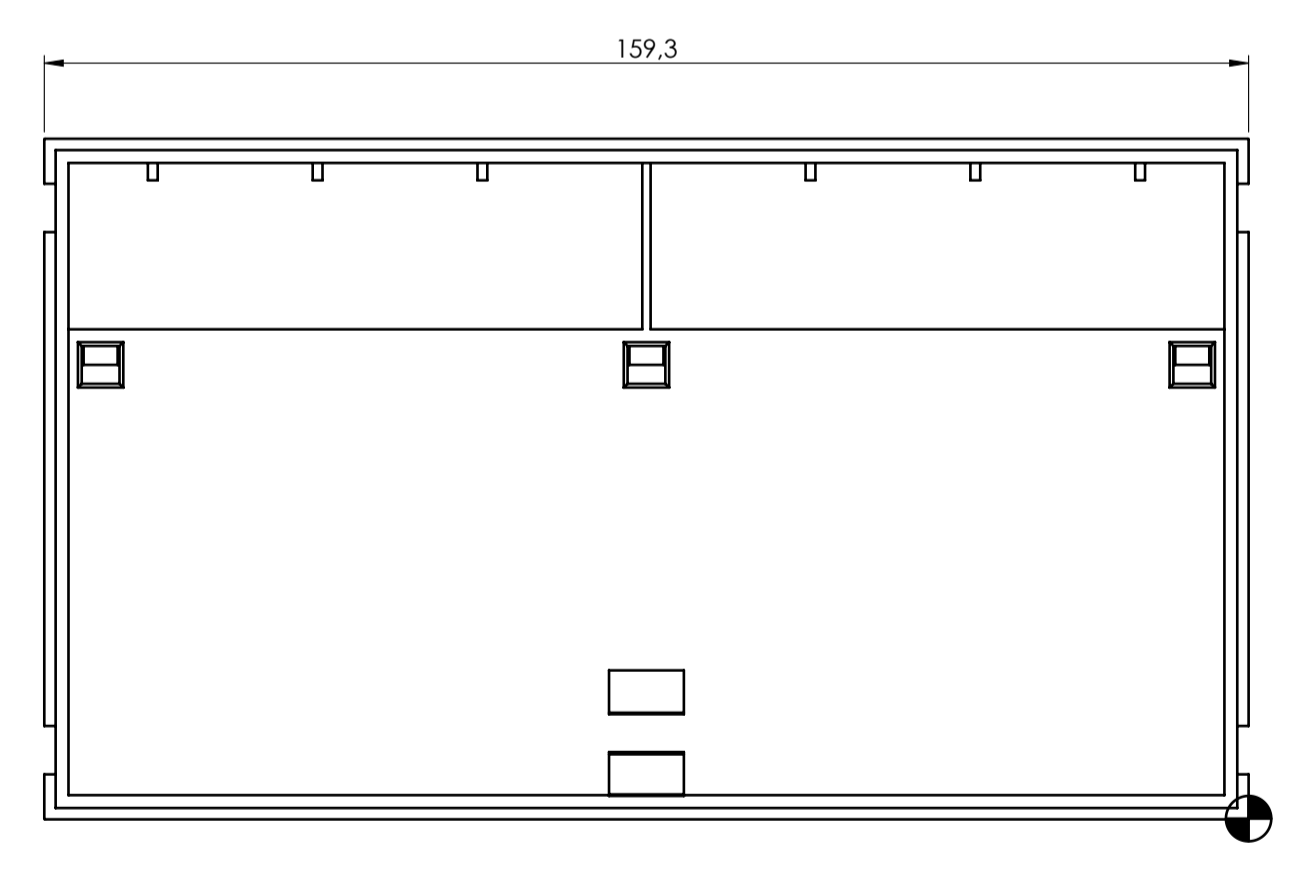
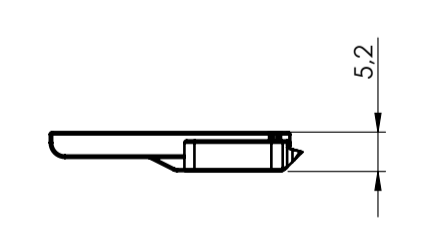
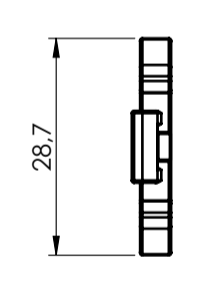
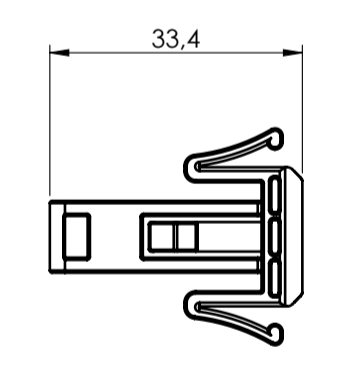


BASE



HOOK



General information:
 ● Workpiece zero point for mechanical processing
 - Minimum recommended radius for machining = R1.0 mm
 - Mounting rail like EN 60715: TH 35-7.5 or TH 35-15
 - Recommended PCB outline on www.italtronic.com

| RIF. | Q.TY | DRAWING | DESCRIPTION |
|------|------|-------------|----------------------------------|
| 1 | 1 | 2_250_00196 | BODY ENCLOSURE MODULBOX ONE 9M53 |
| 2 | 1 | 2_250_00079 | HOOK FOR MODULBOX ONE |
| 3 | 1 | 2_250_00192 | BASE MODULBOX ONE 9M |

General Tolerances (UNE EN 22768/1) Medio [mm]

| | | | | | |
|---------------|-------------|--------------|----------------|-----------------|--------|
| from 0.5 to 3 | from 3 to 6 | from 6 to 30 | from 30 to 120 | from 120 to 400 | Sheet: |
| ± 0.1 | ± 0.1 | ± 0.2 | ± 0.3 | ± 0.5 | 1 |

Scale: 1:1
 Drawn: M.S.
 Checked: R.N.
 Date: 26/07/2023
 Material:
 Process:
 Weight: gr
 Cod. Mold: --

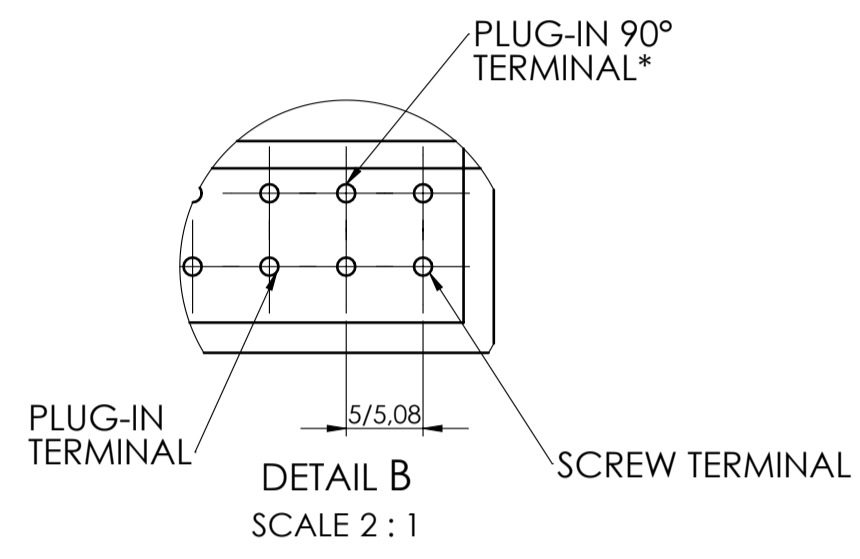
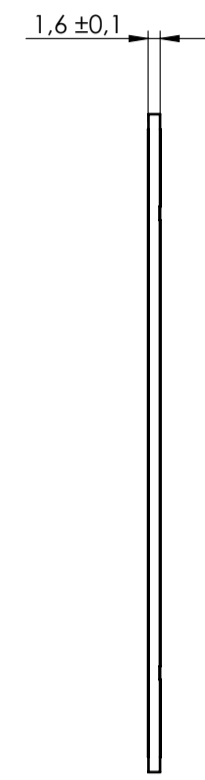
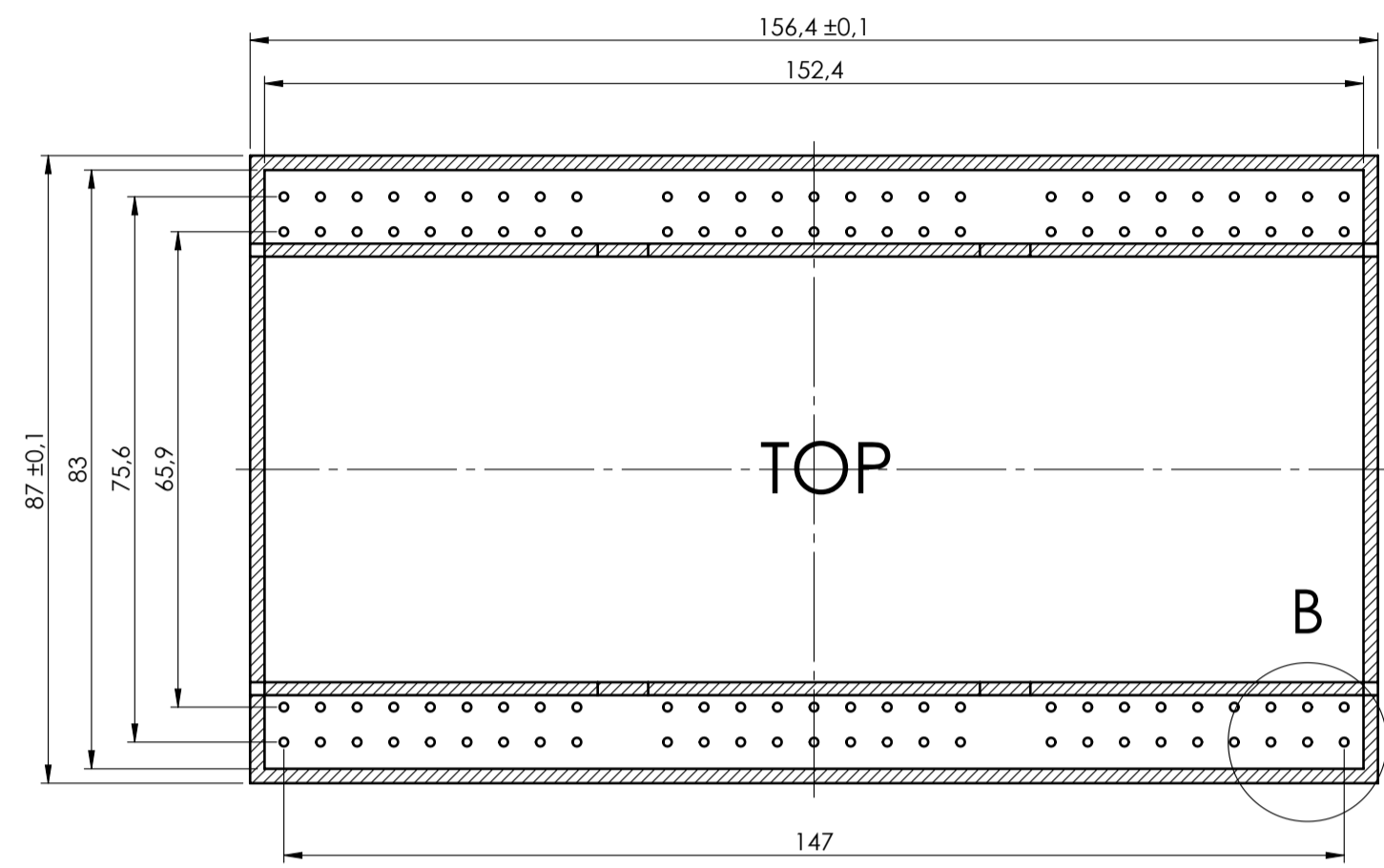
Dimension in mm

italtronic
 enclosures for electronics
 itatronic.com

Description:
 KIT CONTENITORE MODULBOX ONE 9M53
 KIT ENCLOSURE MODULBOX ONE 9M53
 Drawing nr. **3_250_00172**
 Rev.: 00 A1

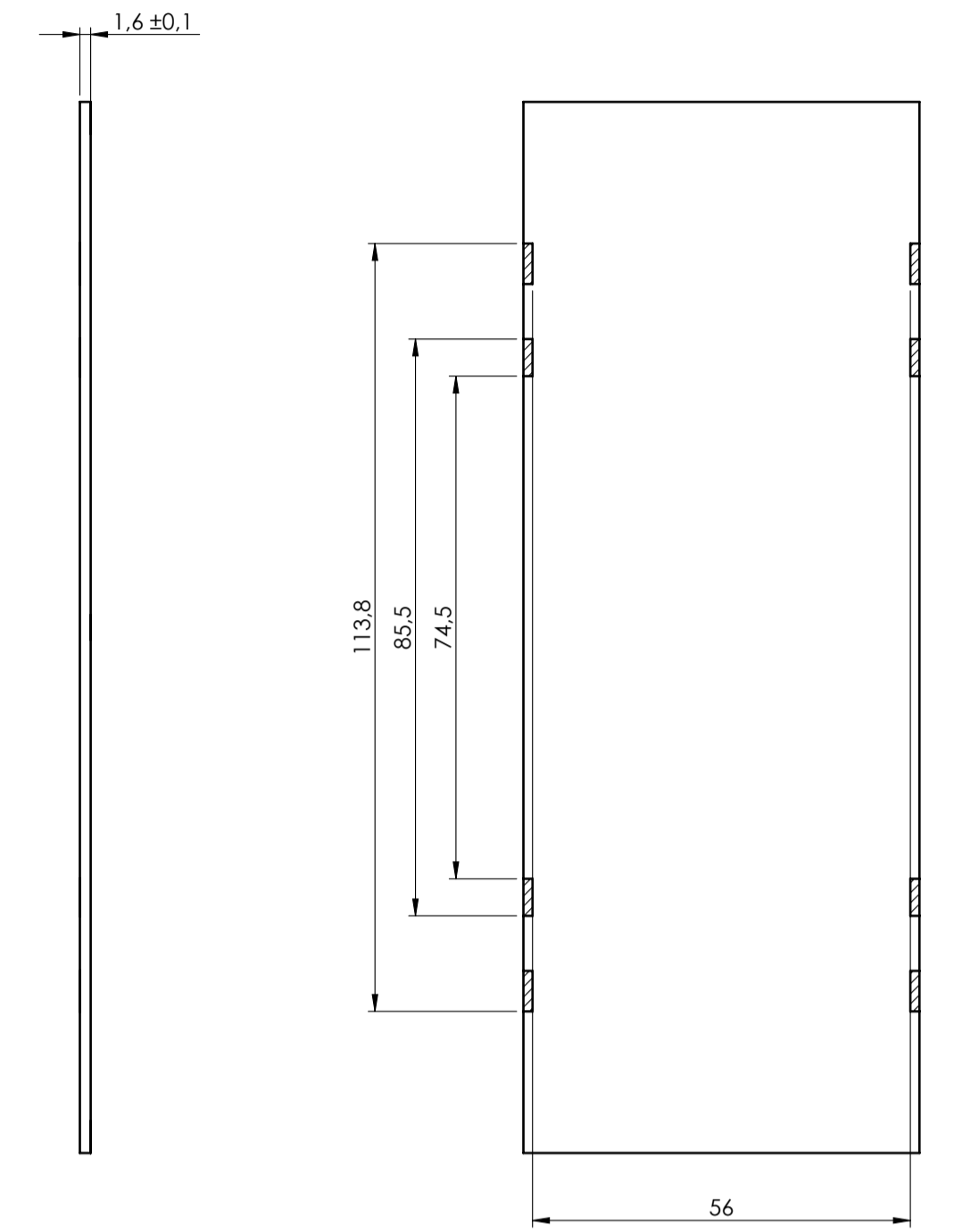
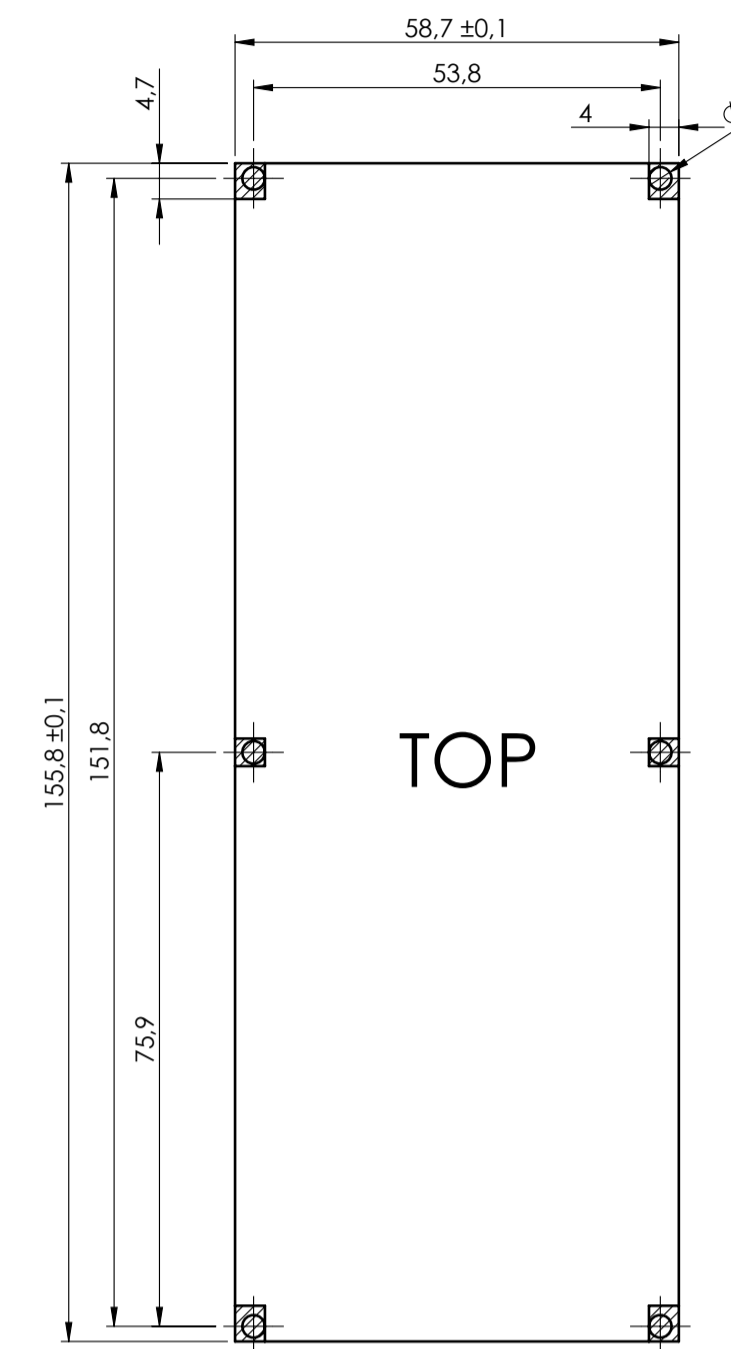
PCB A

Max height of the terminal:
Modulbox ONE: 20 mm

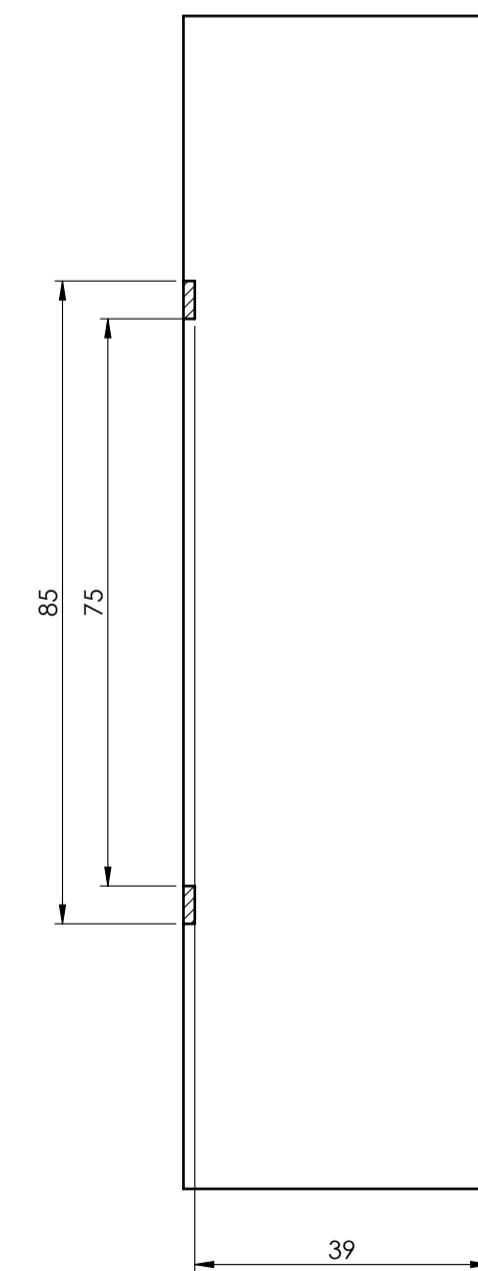
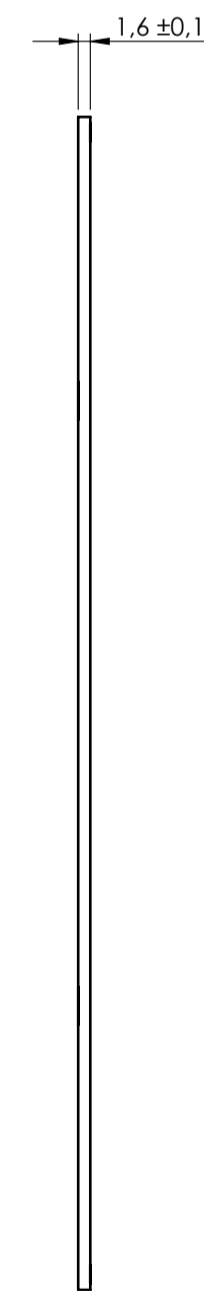
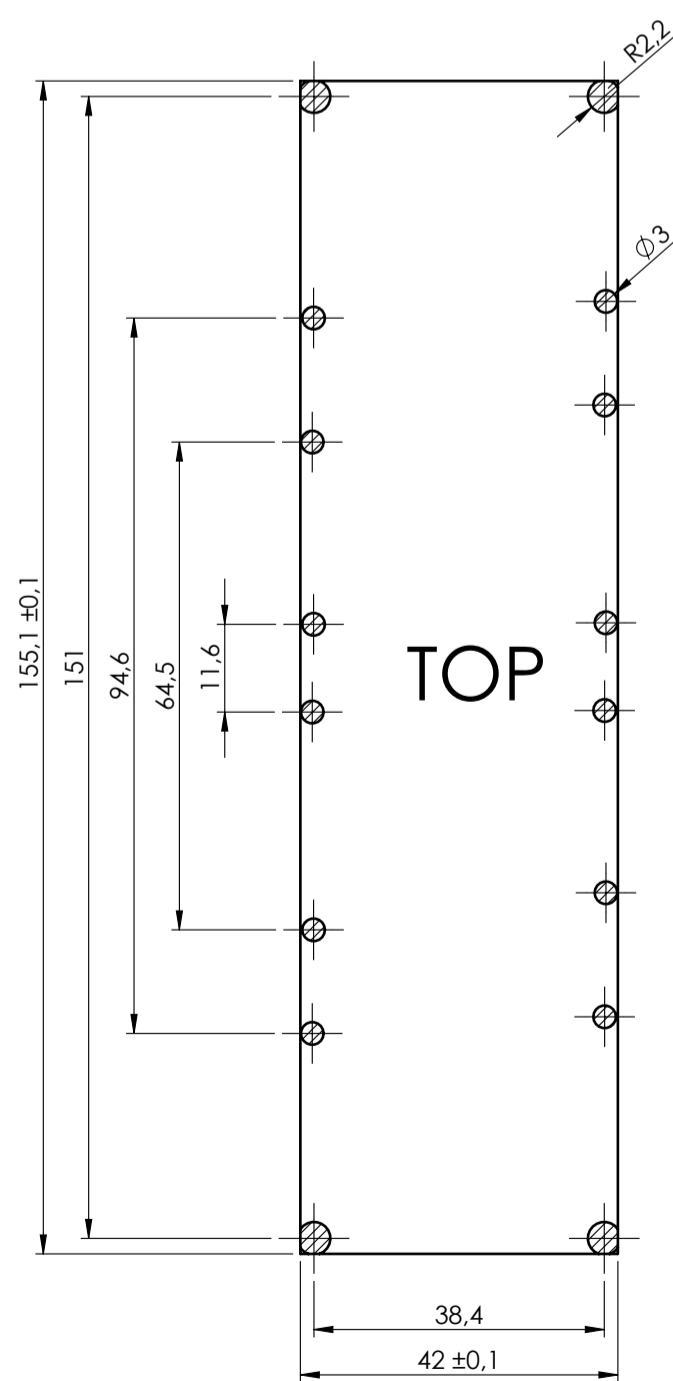


*To use the PLUG-IN terminals in Modulbox ONE use plug-in adapter P05000003E (5/5.08 pitch) and P05000004E (7.5/7.62 pitch)

PCB B



PCB C



| | | | | |
|----------------------------------------------------------------------|----------------------|-----------------------|-------------------------|--------------------------|
| General Tolerance UNE EN 22768/1 Medio (m) | | | | Sheet: |
| from 0.5 to 3 ± 0.1 | from 3 to 6 ± 0.1 | from 6 to 30 ± 0.2 | from 30 to 120 ± 0.3 | from 120 to 400 ± 0.5 |
| Scale: | Drawn: | Checked: | Date: | Material: |
| 1:1 | M.S. | R.N. | 26/07/2023 | Process: |
| Dimension in mm | Derived from: | | Weight: | Cod. Mold: |
| | | | gr | -- |
| Description: | | | | Rev.: |
| KIT CONTENITORE MODULBOX ONE 9M53 KIT ENCLOSURE MODULBOX ONE 9M53 | | | | 00 |
| Drawing nr. 3_250_00172 | | | | A1 |

NO COMPONENTS AREA



enclosures for electronics
3_250_00172