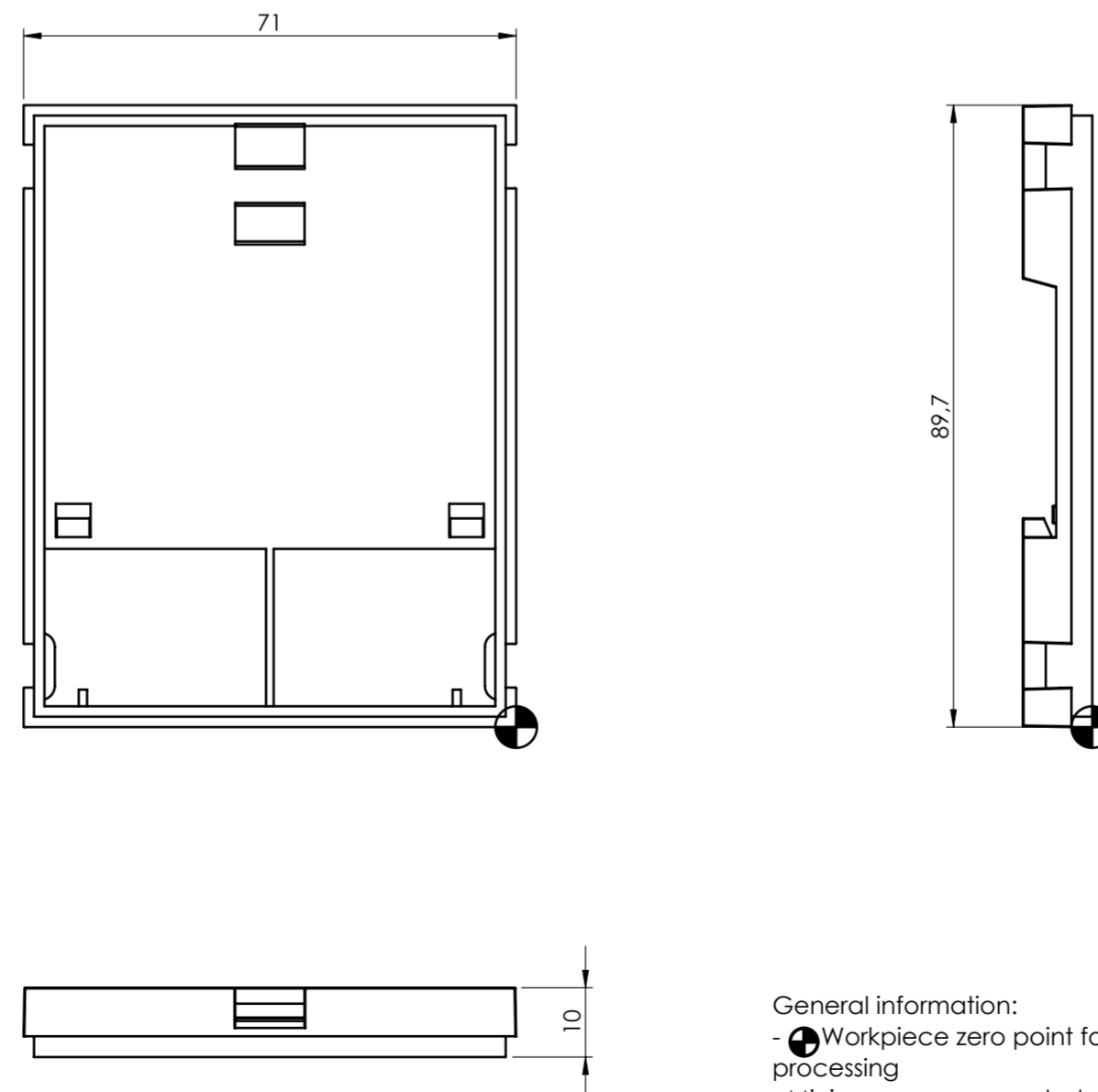
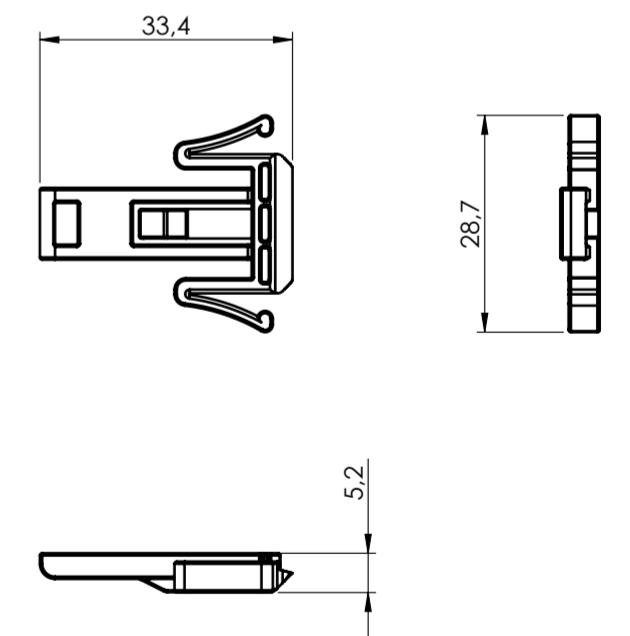


BASE



General information:
 - Workpiece zero point for mechanical processing
 - Minimum recommended radius for machining = R1.0 mm
 - Mounting rail like EN 60715: TH 35-7.5 or TH 35-15
 - Recommended PCB outline on www.italtronic.com

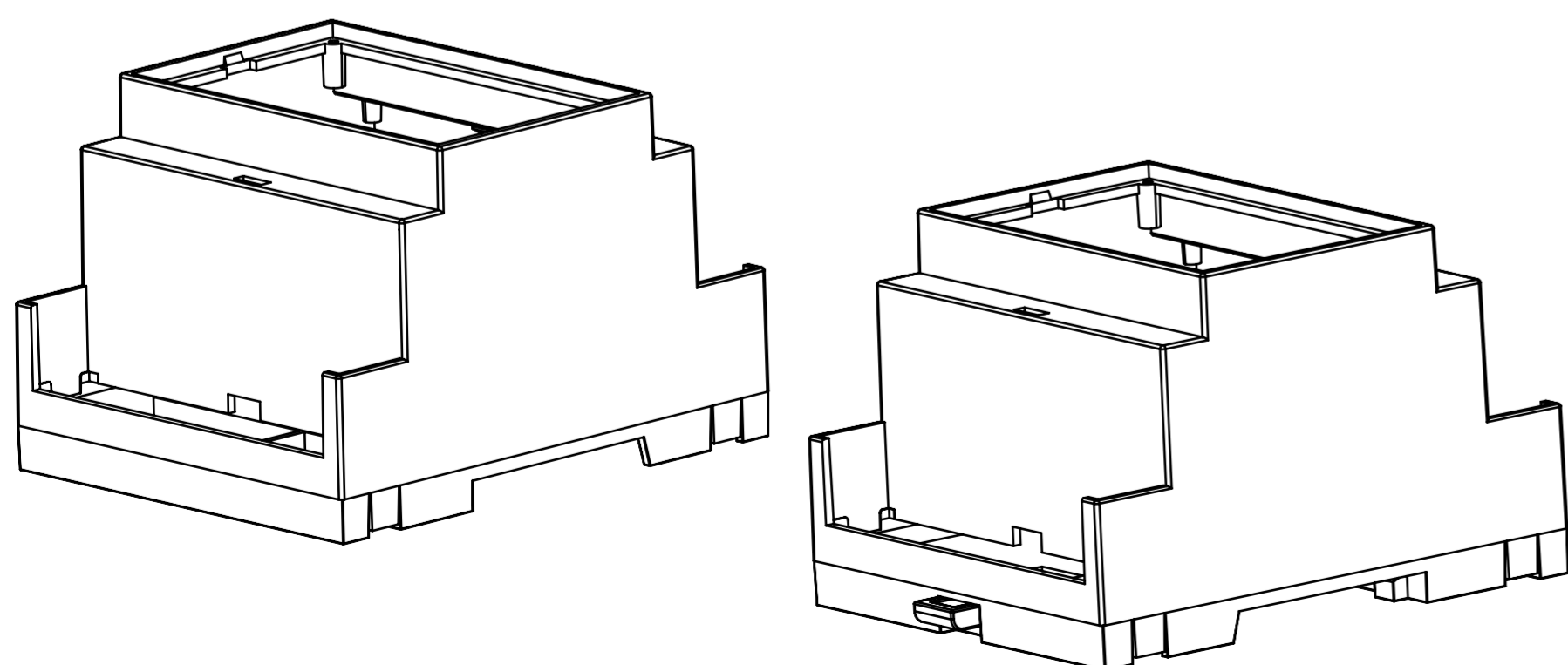
HOOK



RIF.	Q.TY	DRAWING	DESCRIPTION
1	1	2_250_00181	BASE MODULBOX ONE 4M
2	1	2_250_00183	BODY ENCLOSURE MODULBOX 4M53
3	1	2_250_00079	HOOK FOR MODULBOX ONE

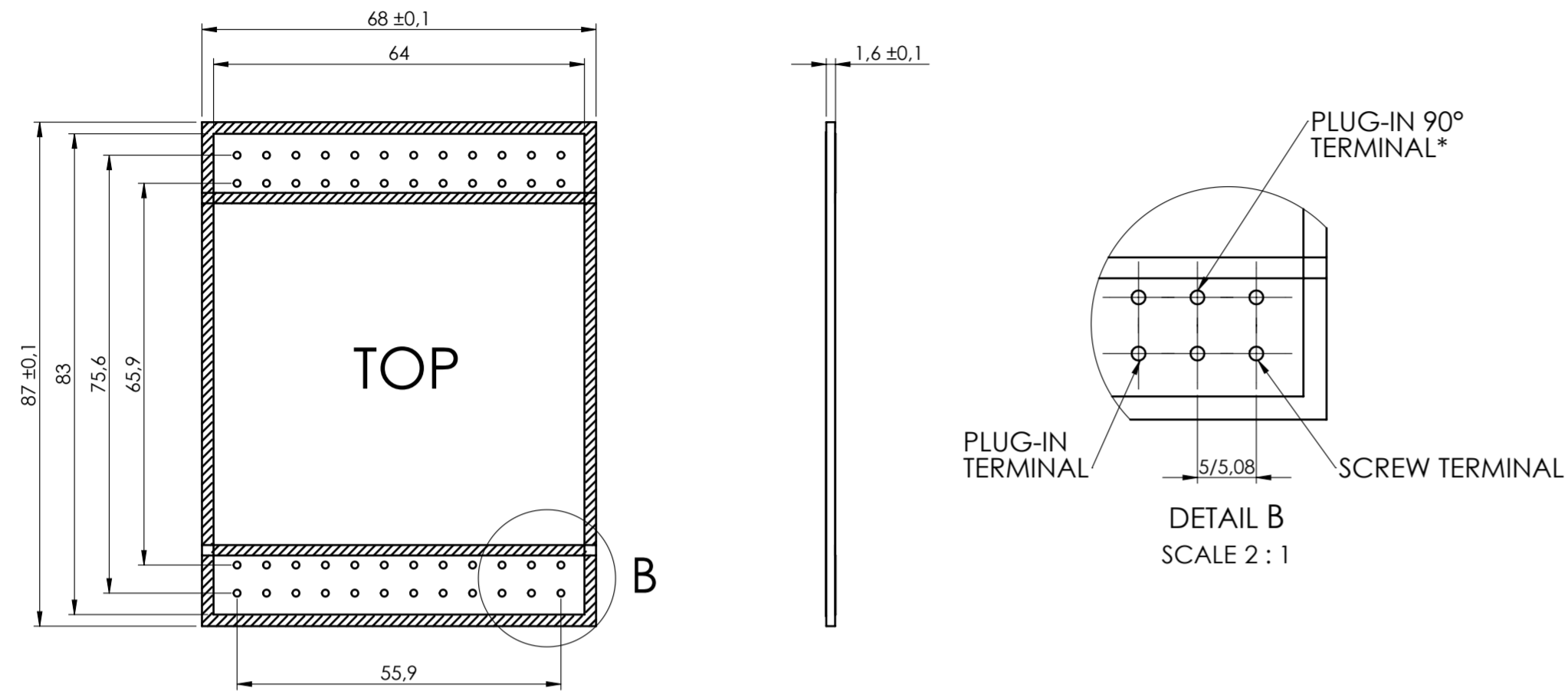
General Tolerance UNI EN 22768/1 Media (m)					Sheet:
from 0.5 to 3 ± 0.1	from 3 to 6 ± 0.1	from 6 to 30 ± 0.2	from 30 to 120 ± 0.3	from 120 to 400 ± 0.5	1
Scale:	Drawn:	Checked:	Date:	Material:	Process:
1:1	M.S.	R.N.	21/07/2023		
	Derived from:		Weight:	Cod. Mold:	
Dimension in mm	---		gr	--	

Description: KIT CONTENITORE MODULBOX ONE 4M53 KIT ENCLOSURE MODULBOX ONE 4M53		Rev.:
Drawing nr.: 3_250_00155		00 A2



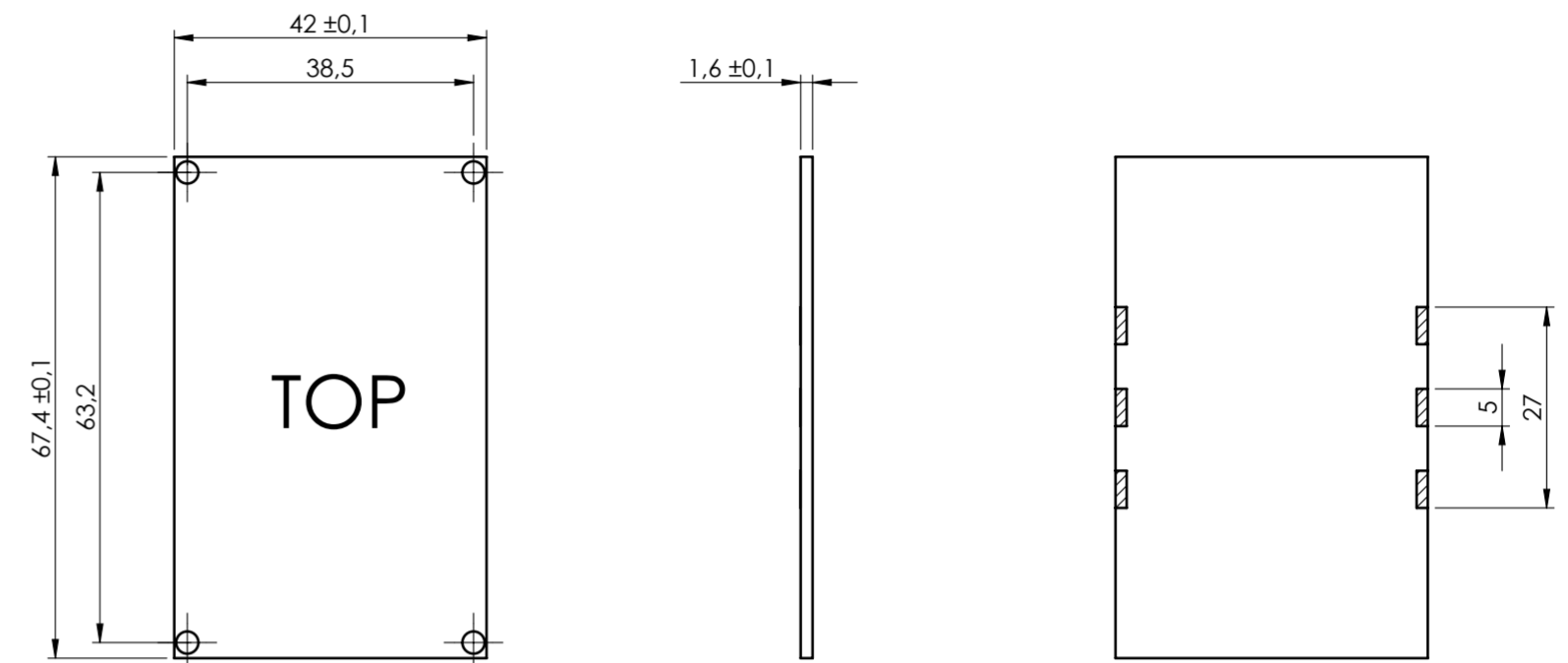
Max height of the terminal:
Modulbox ONE: 20 mm

PCB A

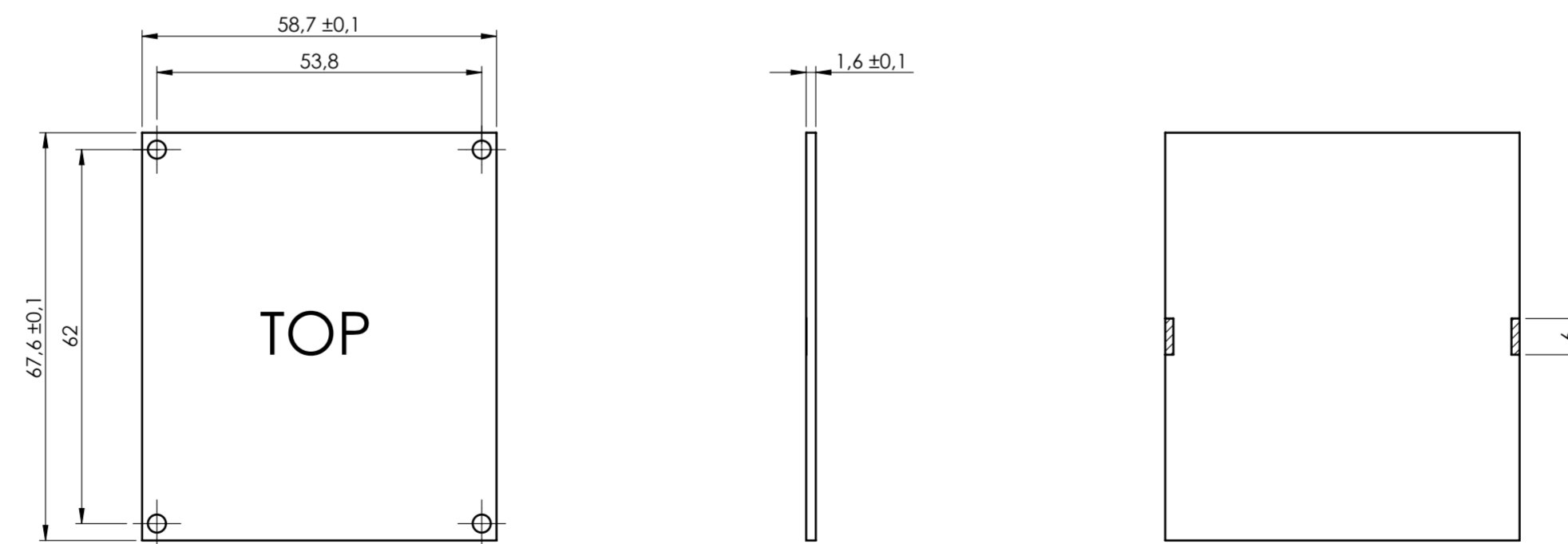


**To use the PLUG-IN terminals in Modulbox ONE use plug-in adapter P05000003E (5/5.08 pitch) and P05000004E (7.5/7.62 pitch)*

PCB C



PCB B



General Tolerance UNI EN 22768/1 Media (m)					Sheet:
from 0.5 to 3 ± 0.1	from 3 to 6 ± 0.1	from 6 to 30 ± 0.2	from 30 to 120 ± 0.3	from 120 to 400 ± 0.5	PCB
Scale:	IM:	Drawn:	Checked:	Date:	Material:
1:1	--	M.S.	R.N.	21/07/2023	Process:
Dimension in mm	The present drawing cannot be reproduced or communicated to third parties, even partially, without the authorization of Italtronic. Italtronic reserves the right to protect its copyrights according to the law.		Replaces the:	Derived from:	Weight:
			M-06481-00	--	gr
Description:					Cod. Mold:
KIT CONTENITORE MODULBOX ONE 4M53					--
KIT ENCLOSURE MODULBOX ONE 4M53					
Drawing nr.:					Rev.:
3_250_00155					00 A2

NO COMPONENTS AREA

