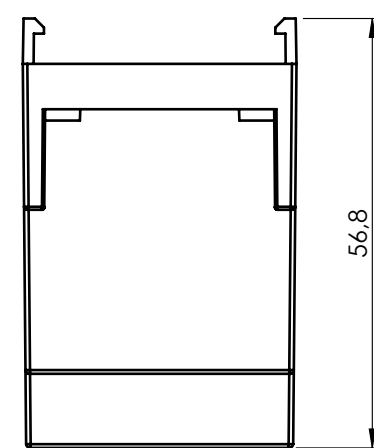
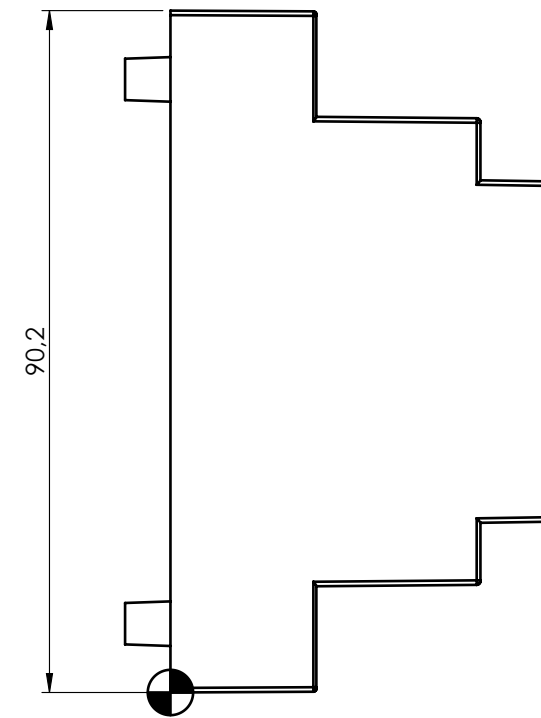
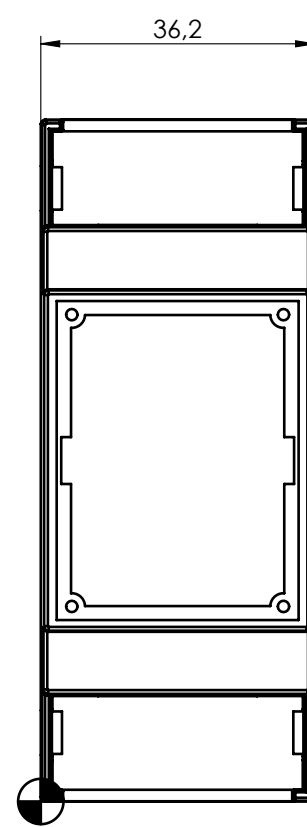
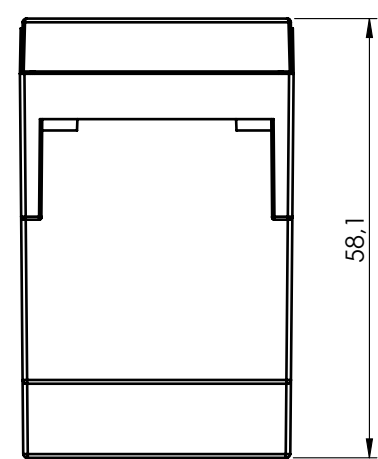
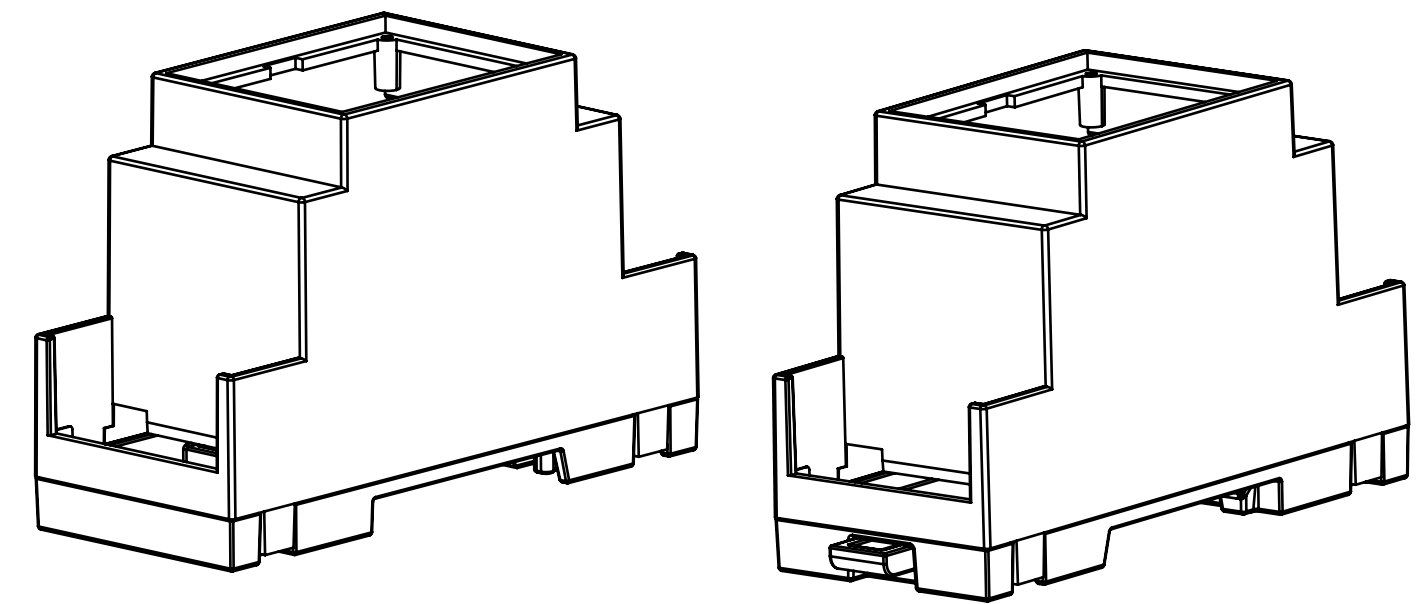
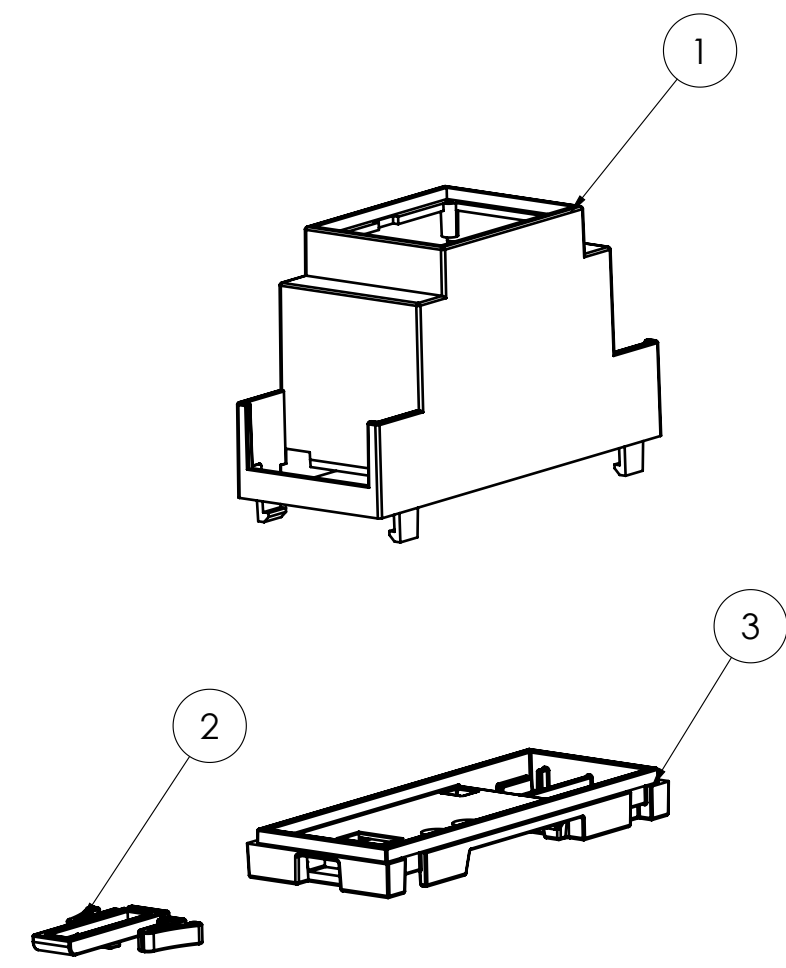


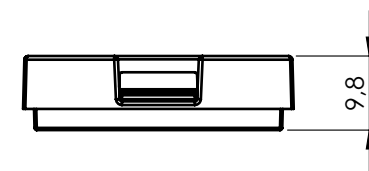
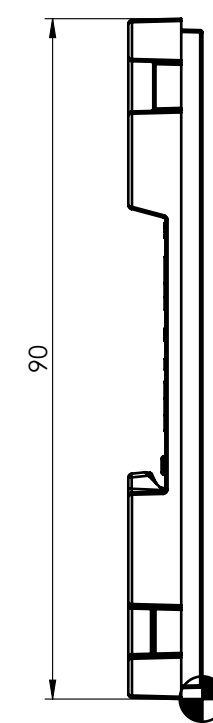
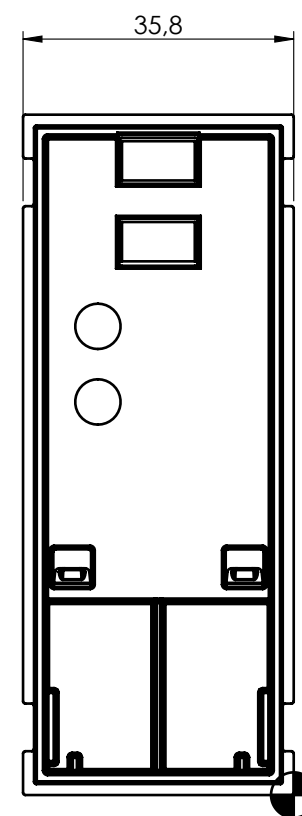
SECTION A-A



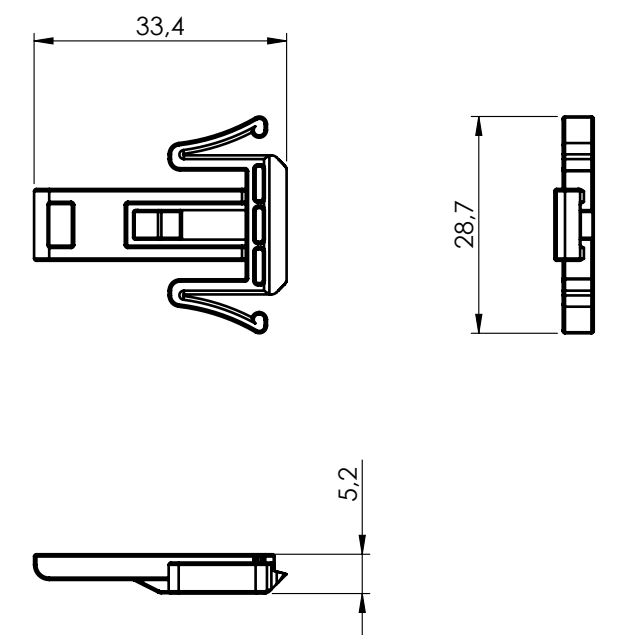
BODY ENCLOSURE



BASE



HOOK



General information:
 - Workpiece zero point for mechanical processing
 - Minimum recommended radius for machining = R1.0 mm
 - Mounting rail like EN 60715: TH 35-7.5 or TH 35-15
 - Recommended PCB outline on www.italtronic.com

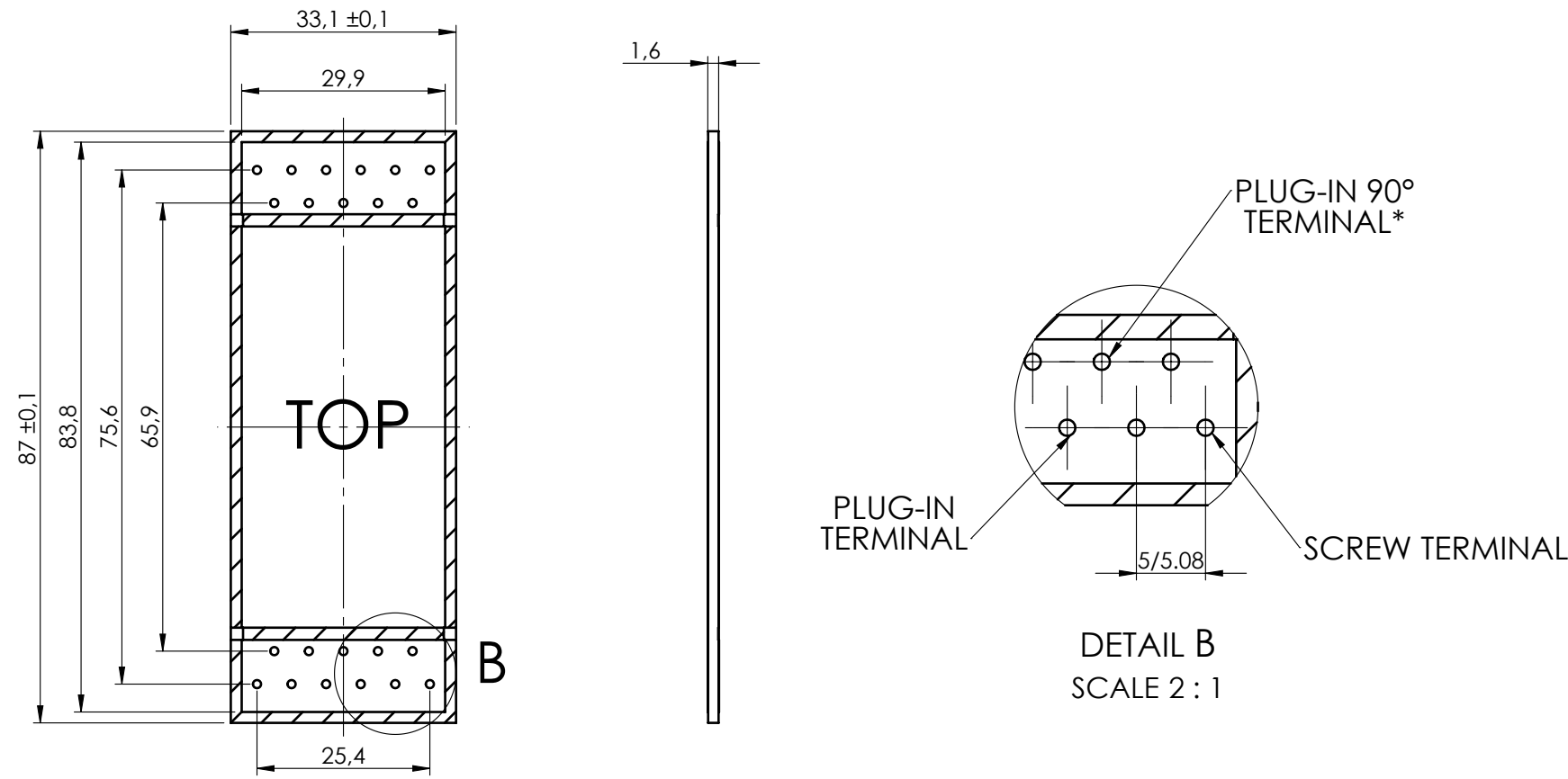
RIF.	Q.TY	DRAWING	DESCRIPTION
1	1	2_250_00176	BODY ENCLOSURE MODULBOX ONE 2M53
2	1	2_250_00079	HOOK FOR MODULBOX ONE
3	1	2_250_03647	BASE MODULBOX ONE 2M

General Tolerance UNI EN 22768/1 Media (m)					Sheet:
from 0.5 to 3	from 3 to 6	from 6 to 30	from 30 to 120	from 120 to 400	1
± 0.1	± 0.1	± 0.2	± 0.3	± 0.5	
Scale:	Drawn:	Checked:	Date:	Material:	Process:
1:1	M.S.	R.N.	19/07/2023		
Dimension in mm	Derived from:		Weight:	Cod. Mold:	
			gr	--	

		Description: KIT CONTENITORE MODULBOX ONE 2M53 KIT ENCLOSURE MODULBOX ONE 2M53		Rev.:	00	A2
italtronic.com		Drawing nr.: 3_250_00147				

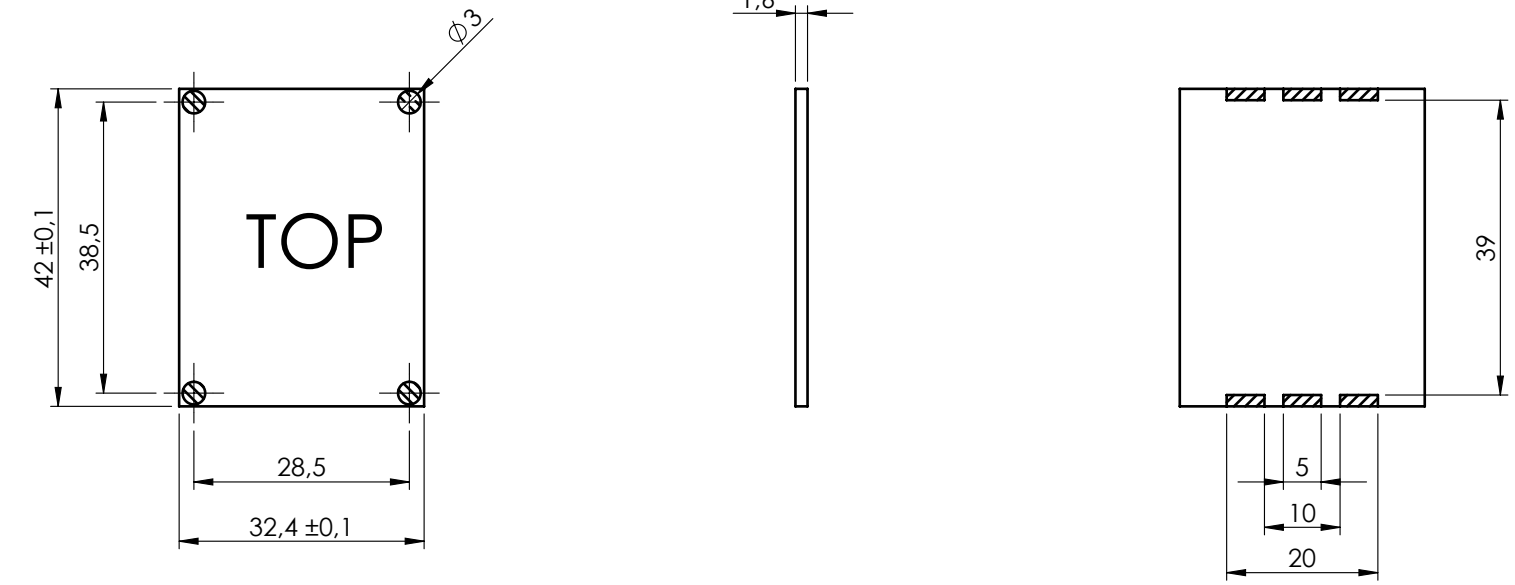
PCB A

Max height of the terminal:
Modulbox ONE: 20 mm

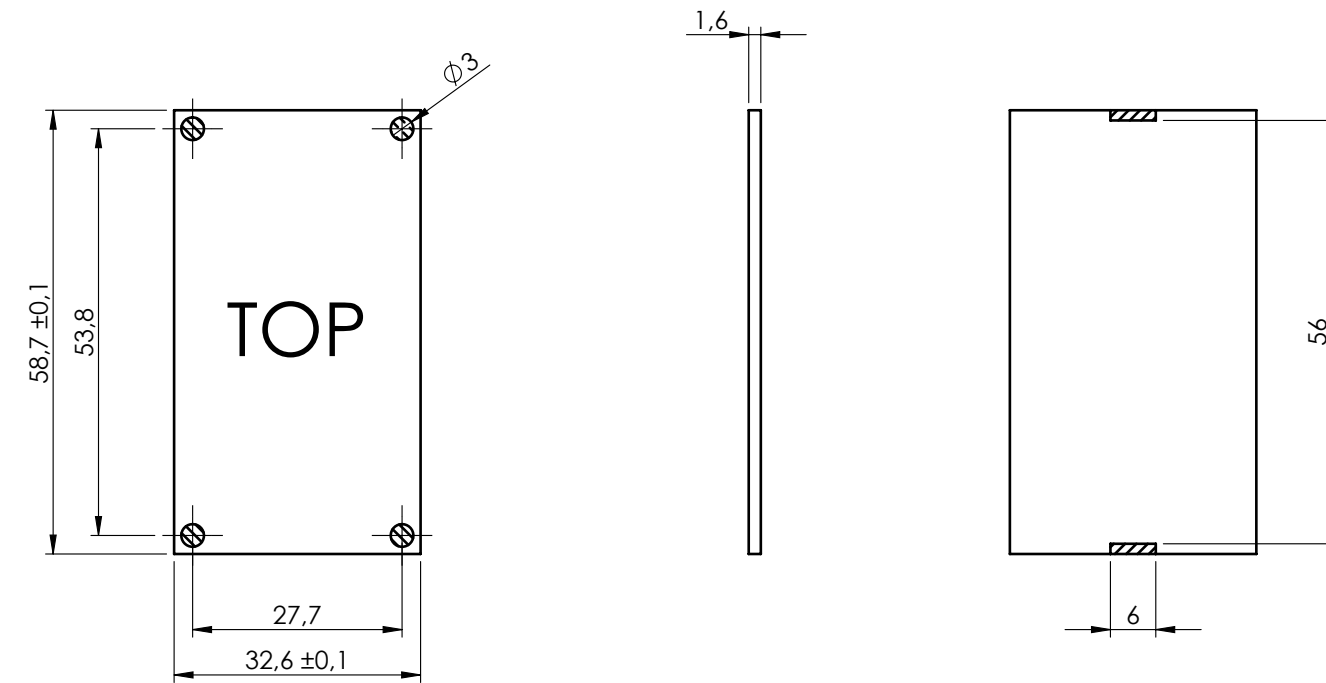


**To use the PLUG-IN terminals in Modulbox ONE use plug-in adapter P05000003E (5/5.08 pitch) and P05000004E (7.5/7.62 pitch)*

PCB C



PCB B



General Tolerance UNI EN 22768/1 Media (m)					Sheet:
from 0.5 to 3 ± 0.1	from 3 to 6 ± 0.1	from 6 to 30 ± 0.2	from 30 to 120 ± 0.3	from 120 to 400 ± 0.5	PCB
Scale:	Drawn:	Checked:	Date:	Material:	Process:
1:1	M.S.	R.N.	19/07/2023		
<small>The present drawing cannot be reproduced or communicated to 3rd parties, even partially, without the authorization of Italtronic. Italtronic reserves the right to protect its own rights according to the law.</small>				Derived from:	Weight:
Dimension in mm					gr
italtronic enclosures for electronics italtronic.com					Description: KIT CONTENITORE MODULBOX ONE 2M53 KIT ENCLOSURE MODULBOX ONE 2M53 Drawing nr.: 3_250_00147
					Rev.: 00 A2

NO COMPONENTS AREA