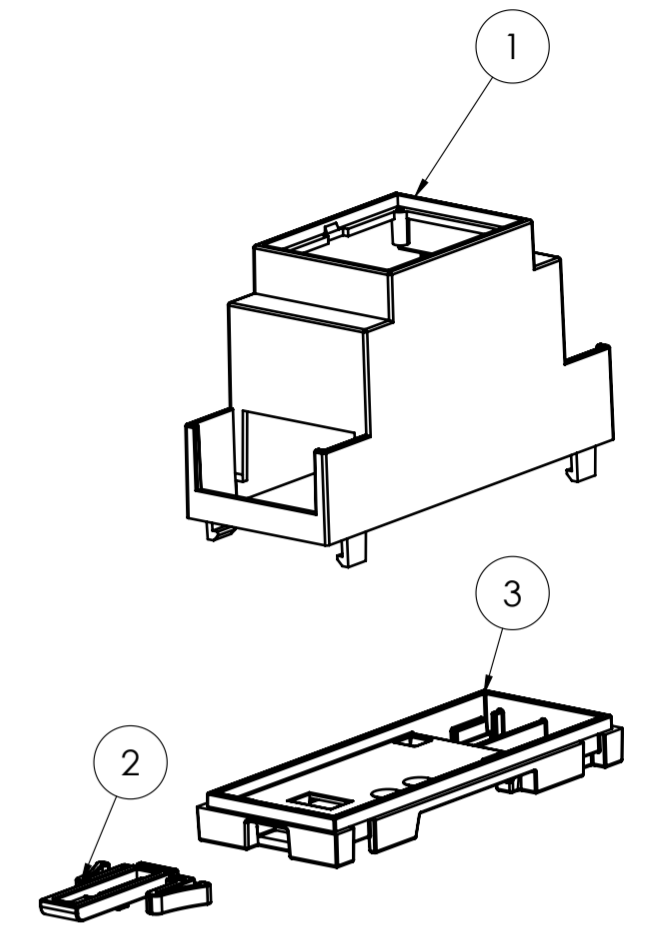
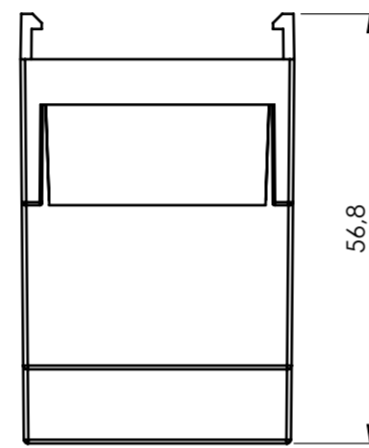
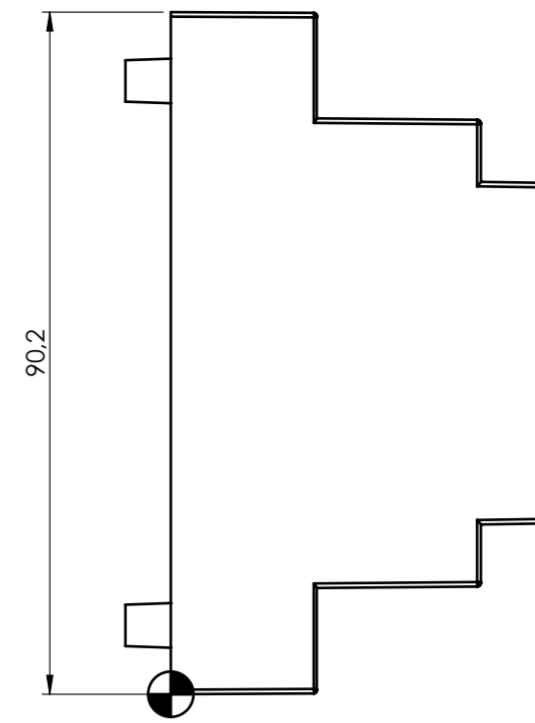
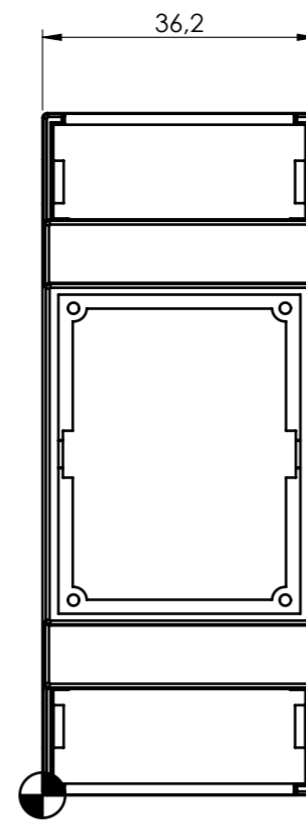
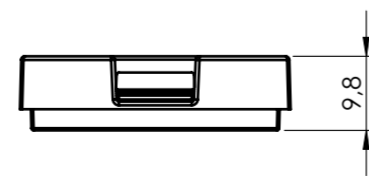
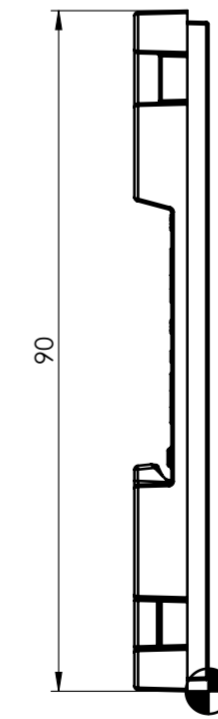
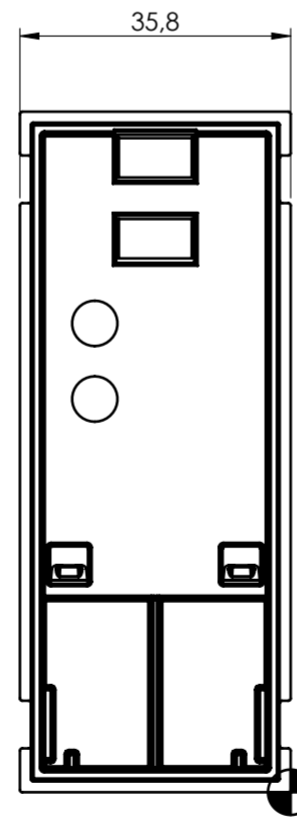


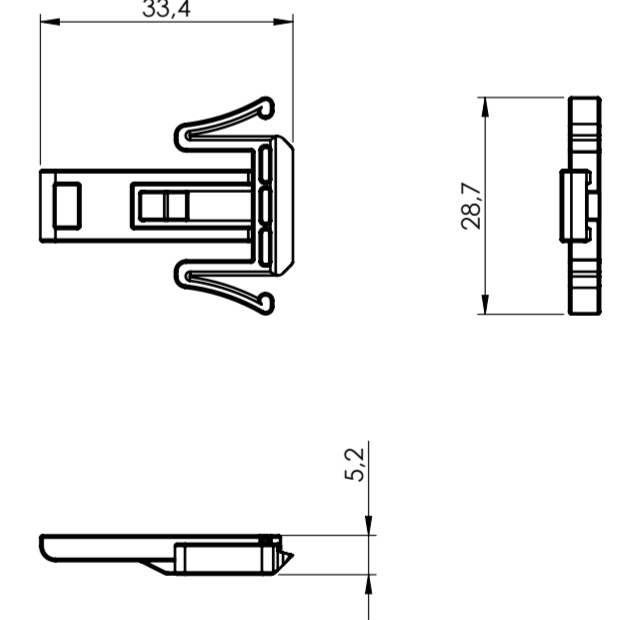
### BODY ENCLOSURE



### BASE



### HOOK



General information:  
 - Workpiece zero point for mechanical processing  
 - Minimum recommended radius for machining = R1.0 mm  
 - Mounting rail like EN 60715: TH 35-7.5 or TH 35-15  
 - Recommended PCB outline on [www.italtronic.com](http://www.italtronic.com)

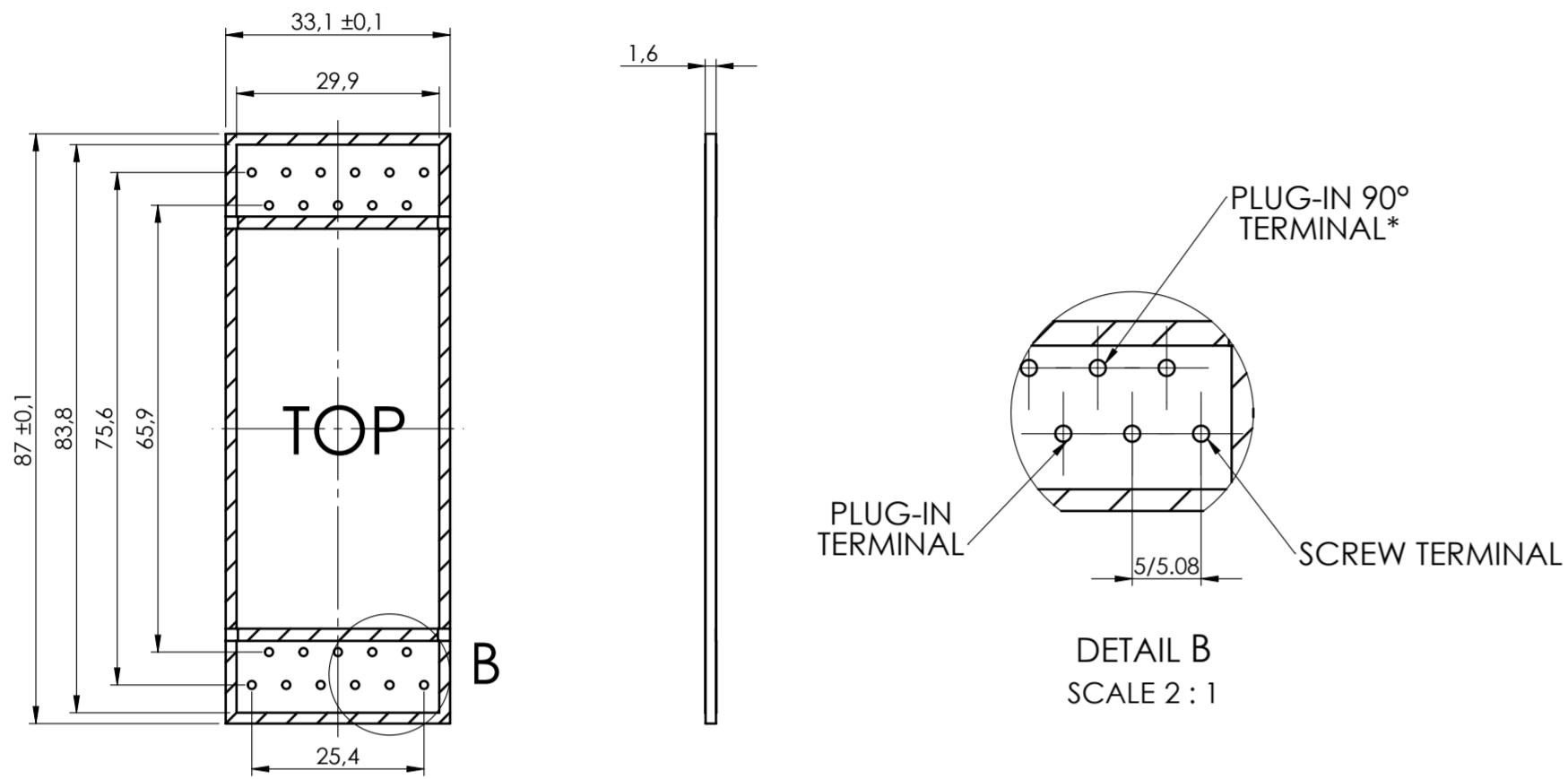
RIF.	Q.TY	DRAWING	DESCRIPTION
1	1	2_250_00175	BODY ENCLOSURE MODULBOX ONE 2MH53
2	1	2_250_00079	HOOK FOR MODULBOX ONE
3	1	2_250_03647	BASE MODULBOX ONE 2M

General Tolerance UNI EN 22768/1 Media (m)					Sheet:
from 0.5 to 3 ± 0.1	from 3 to 6 ± 0.1	from 6 to 30 ± 0.2	from 30 to 120 ± 0.3	from 120 to 400 ± 0.5	1
Scale:	Drawn:	Checked:	Date:	Material:	Process:
1:1	M.S.	R.N.	18/07/2023		
Dimension in mm	Derived from:	Weight:	Cod. Mold:		
	--	gr	--		

<b>italtronic</b> enclosures for electronics <a href="http://italtronic.com">italtronic.com</a>		Description: KIT CONTENITORE MODULBOX ONE 2MH53 KIT ENCLOSURE MODULBOX ONE 2MH53 Drawing nr.: <b>3_250_00145</b>	Rev.: <b>00</b> A2
---	--	--	-----------------------

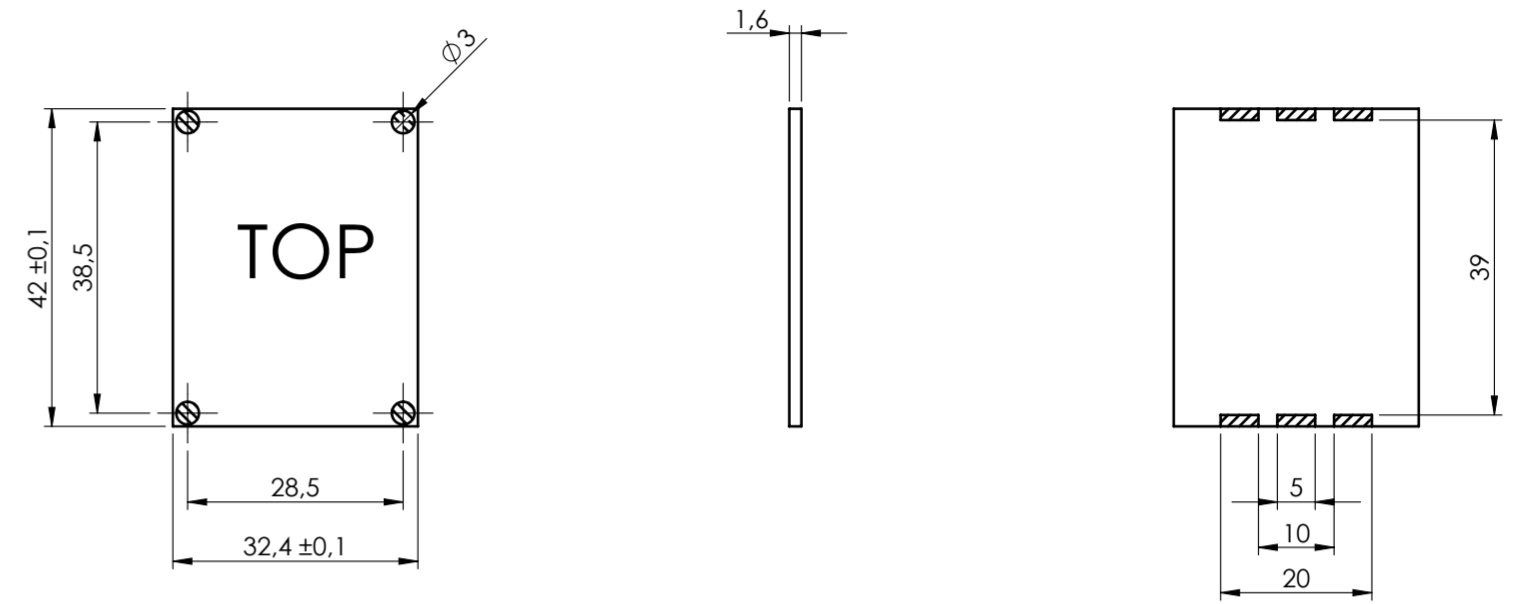
PCB A

Max height of the terminal:  
Modulbox ONE: 20 mm

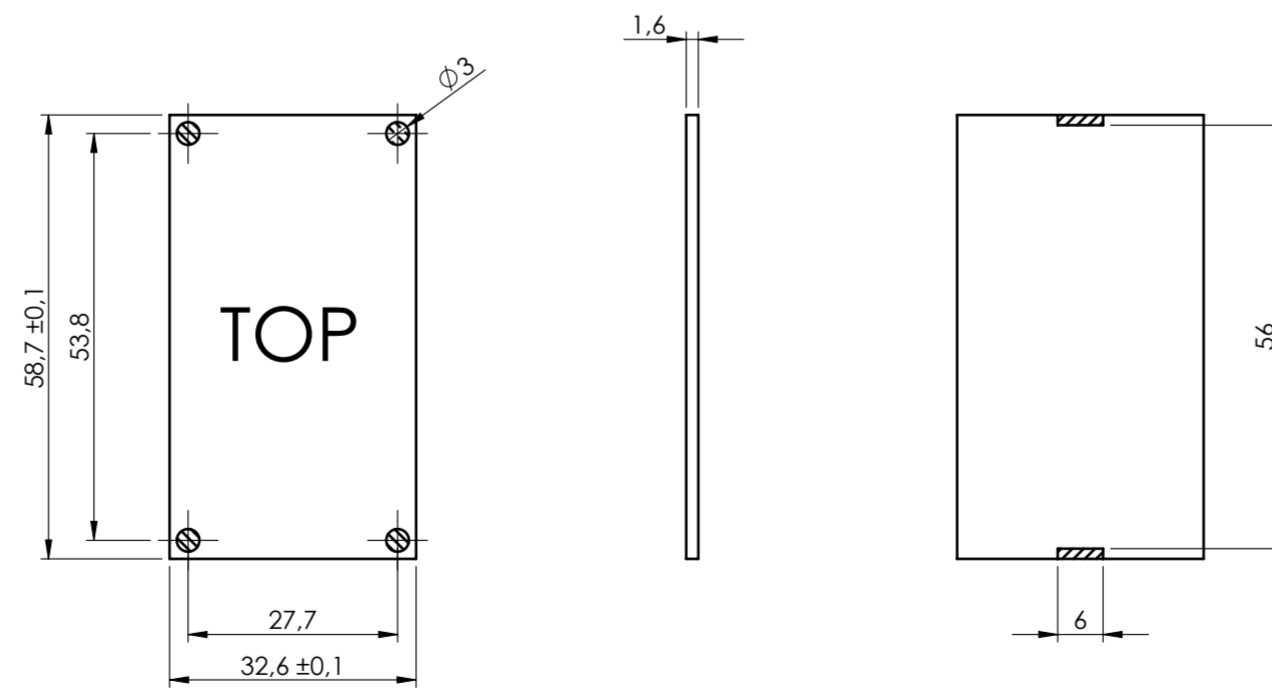


*\*To use the PLUG-IN terminals in Modulbox ONE use plug-in adapter P05000003E (5/5.08 pitch) and P05000004E (7.5/7.62 pitch)*


PCB C



PCB B



NO COMPONENTS AREA

General Tolerance UNI EN 22768/1 Media (m)					Sheet:
from 0.5 to 3 ± 0.1	from 3 to 6 ± 0.1	from 6 to 30 ± 0.2	from 30 to 120 ± 0.3	from 120 to 400 ± 0.5	PCB
Scale:	Drawn:	Checked:	Date:	Material:	Process:
1:1	M.S.	R.N.	18/07/2023		
Dimension in mm	Derived from:		Weight:	Cod. Mold:	
	--		gr	--	
 Description: KIT CONTENITORE MODULBOX ONE 2MH53 KIT ENCLOSURE MODULBOX ONE 2MH53 Drawing nr.: <b>3_250_00145</b>					Rev.: 00 A2