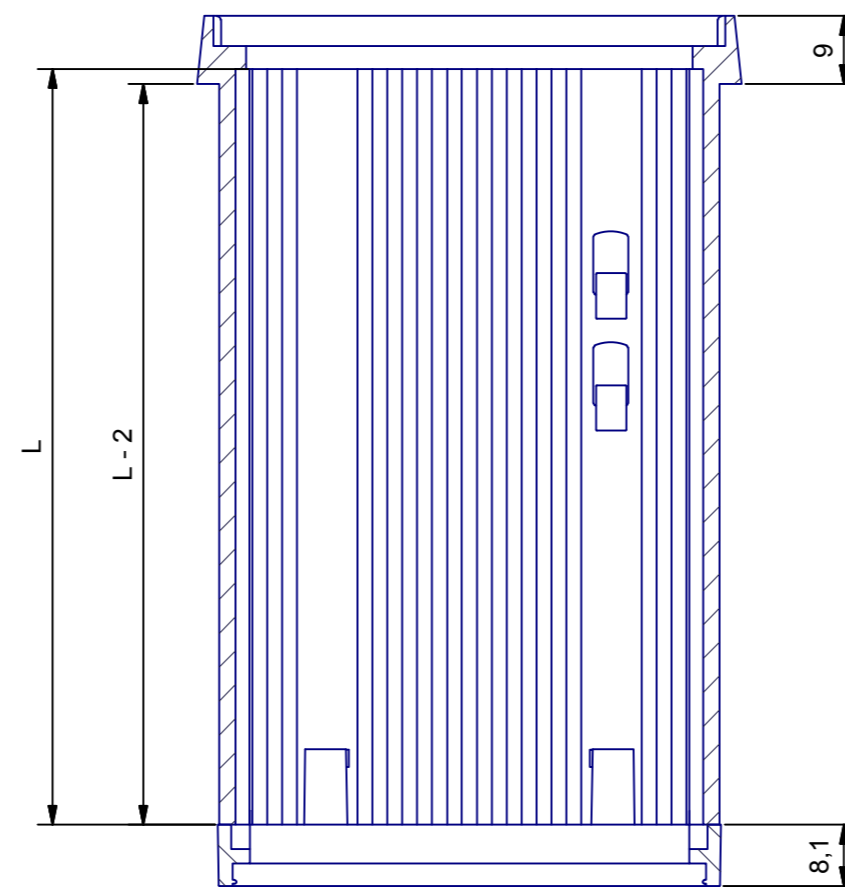


A-A (1:1)



VERSIONS	L
72X144 L57	57 mm
72X144 L75	75 mm
72X144 L100	100 mm
72X144 L124	124 mm Max
72X144 LXXX	180 mm Max
72X144 L114	114 mm
72X144 L139	139 mm
72X144 L200	200 mm

COMPONENTS LIST				
RIF.	Q.TY	DESCRIPTION	CODE	
1	1	Corpo cont. 72x144 BS2 - Body enclosure 72x144 BS2	I-00156	
2	1	Cornice post. 72x144 - Rear frame 72x144	I-00157	
3	2	Agganci in plastica INCABOX - Plastic fixing INCABOX	I-00769	
Da 0,5 a 3		Oltre 3 fino a 6	Oltre 6 fino a 30	Oltre 30 fino a 120
± 0,1		± 0,1	± 0,2	± 0,3
± 0,5				

RESERVED PROPERTY The present drawing cannot be reproduced or communicated to 3d parties, even partially, without the authorization of ITALTRONIC Srl. Italtronic reserves to protect its own rights according to the law.	Dimension in mm	SHEET NR. 1 / 1	DRAWING BY Manual modification are not allowed	GENERAL TOLERANCE UNI EN 22768/1 Media (m)
Drawn: Rigato N.	Checked: Dalla Montà D.	Scale:	Revision description	

 UN PARTNER PER IL FUTURO	Denomination:
	Contenitore completo INCABOX 72X144 BS2 Complete enclosure INCABOX 72x144 BS2
 ITALTRONIC S.R.L. VIA AUSTRIA 25/D 35127 PADOVA - ITALY www.italtronic.com	Drawing nr. I-04574-00

5	4	3	2	1